



## Middleton®

33" top-mount double-bowl kitchen sink  
**14633-3**

### Features

- Three faucet holes
- 6" (152 mm) depth
- 3-5/8" (92 mm) drain opening
- Stainless steel with luster finish

### Material

- Premium 20-gauge stainless steel

### Installation

- Top-mount

### Recommended Products/Accessories

7400 Stainless Steel Sink Drain and Strainer

K-23726 Drain treatment

K-23729 Stainless steel cleaner

### Included Components

1150001 Installation Clips



**ADA**

### Codes/Standards

ASME A112.19.3/CSA B45.4

ADA

ICC/ANSI A117.1

IAPMO Certification

### **STERLING® Stainless Steel Sinks Lifetime Limited Warranty**

See website for detailed warranty information.

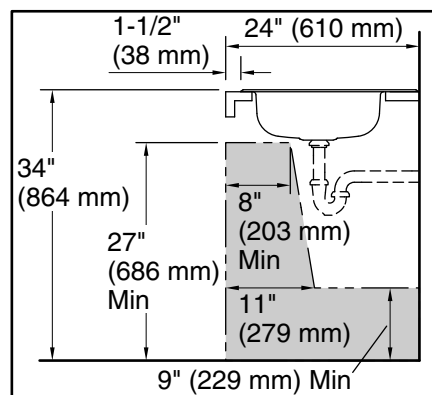
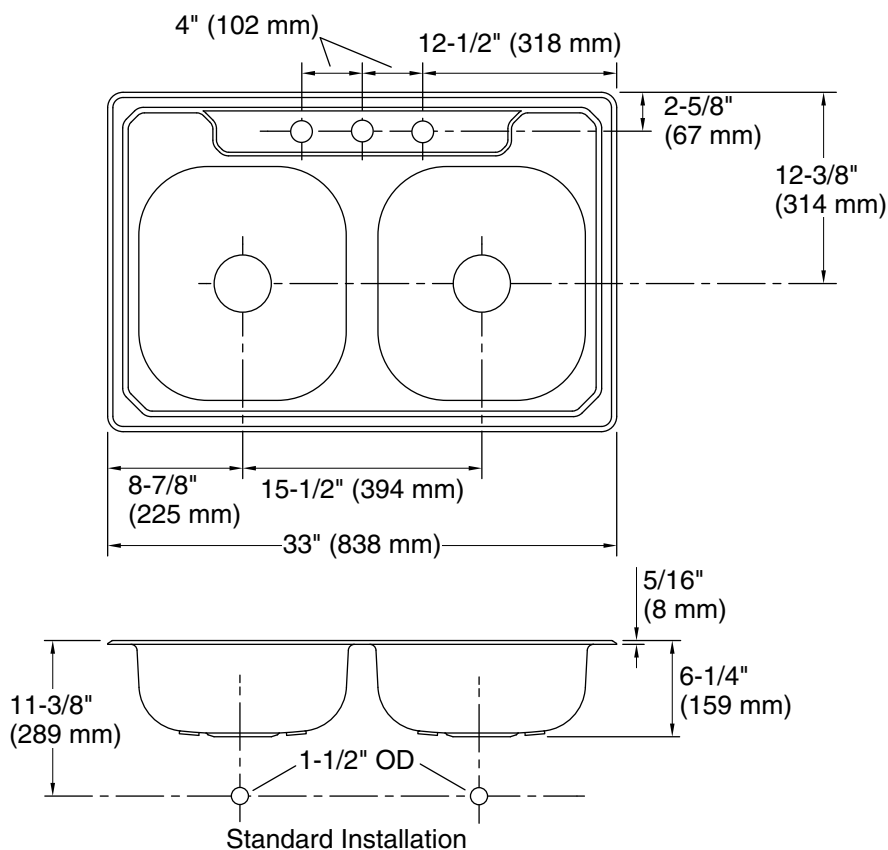
---

1-800-STERLING (1-800-783-7546)

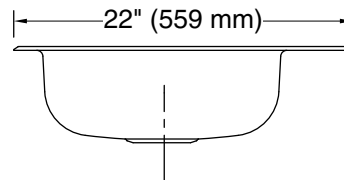
Kohler Co. reserves the right to make revisions without notice to product specifications.

For the most current Specification Sheet, go to [www.sterlingplumbing.com](http://www.sterlingplumbing.com).

11-1-2024 23:56 - US/CA



Recommended ADA Installation



**Technical Information**

All product dimensions are nominal.

- Basin configuration: Equal Bowls
- Cutout: Top-mount, 32-1/2" x 21-1/2" (826 mm x 546 mm) with 11/16" (18 mm) radius corners
- Bowl area (Left): Length: 13-3/4" (349 mm)  
Width: 15-1/2" (394 mm)  
Bowl depth: 6" (152 mm)  
Water depth: 6" (152 mm)
- Bowl area (Right): Length: 13-3/4" (349 mm)  
Width: 15-1/2" (394 mm)  
Bowl depth: 6" (152 mm)  
Water depth: 6" (152 mm)
- Number of deck holes: 3
- Faucet hole(s): 1-7/16" (37 mm)
- Drain hole: 3-5/8" (92 mm)

**Notes**

- Install this product according to the installation instructions.
- Measure your actual product for roughing-in details.
- ADA compliant when installed to the specific requirements of these regulations.