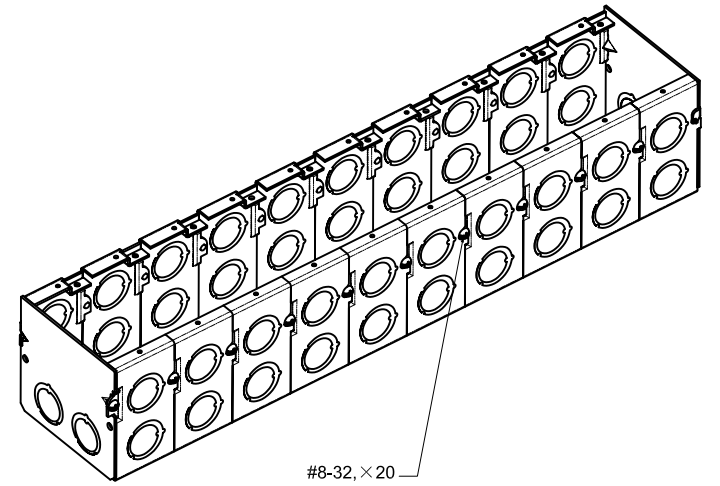
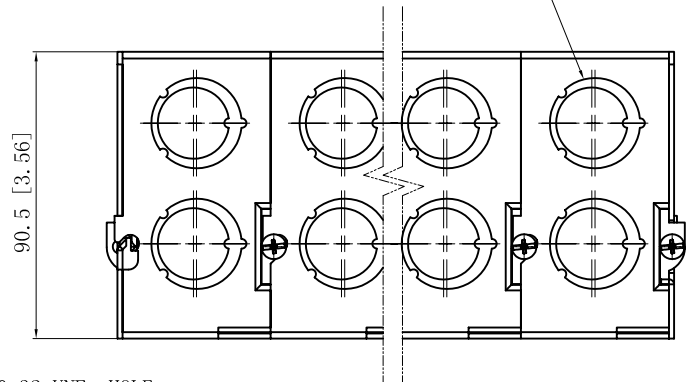


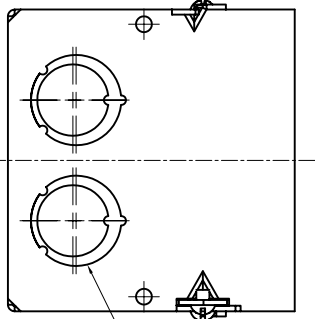
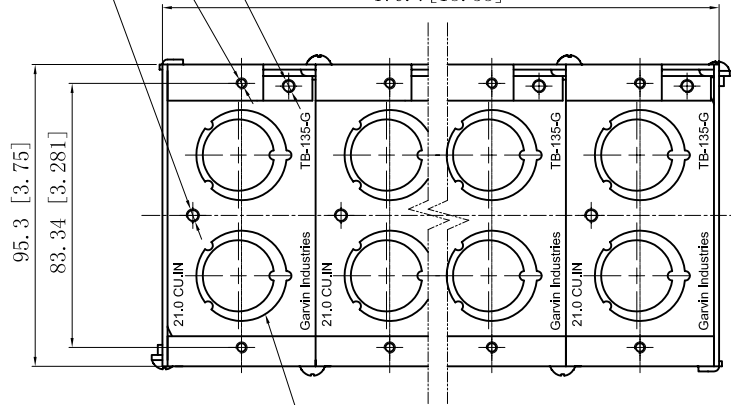
SIDES	BOTTOM
44 1/2"-3/4" MOON KNOCKOUTS	20 1/2"-3/4" MOON KNOCKOUTS
20 PCS 8-32x1/4 Screws Installed	
Material: Steel-0.0625"-G60 Galvanized	

40 1/2-3/4 MOON KNOCKOUTS $\phi=22.5$ [$\phi=0.89$]
 $\phi=28.5$ [$\phi=1.12$] MIRROR



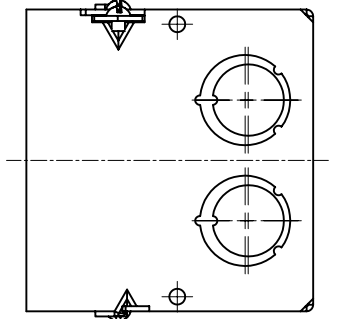
10-#10-32 UNF HOLE
 20-#6-32 UNC HOLE
 10-#10-32 UNF HOLE

470.7 [18.53]



4 1/2-3/4 MOON KNOCKOUTS $\phi=22.5$ [$\phi=0.89$]
 $\phi=28.5$ [$\phi=1.12$] MIRROR

20 1/2-3/4 MOON KNOCKOUTS $\phi=22.5$ [$\phi=0.89$]
 $\phi=28.5$ [$\phi=1.12$]



DESCRIPTION
TRADE REFERENCE TERMS

This data sheet is for reference only .GARVIN INDUSTRIES reserves the right to make changes to the design without prior notice.

STANDARD PACKING	GARVIN INDUSTRIES		
	GANGABLE MASONRY BOX 3-1/2" DEEP		
1 PCS	TITLE		REV
	SIZE	DWG NO.	B
	A4	TB-1035-G	
		DATA SHEET	