

50 FT. AIR HOSE REEL

Stock Number M635

OWNERS MANUAL



▲ WARNING

It is the owner and/or operators' responsibility to study all WARNINGS, operating, and maintenance instructions contained on the product label and instruction manual prior to operation of this hose reel. The owner/operator shall retain product instructions for future reference.

The owner and/or operator are responsible for maintenance, maintaining all decals or warning labels and while in use, maintaining the unit in good working order. If the owner and/or operator are not fluent in English, the product warnings and instructions shall be read and discussed with the operators' native language by the purchaser/owner or his designee. Make sure that the operator comprehends its contents. Safety information shall be emphasized and understood prior to usage. The hose reel shall be inspected per the operating instructions.

Protect yourself and others by observing all safety information.

Failure to comply with instructions could result in personal injury and/or property damage!

If you encounter any problems or difficulties, please contact our customer service department at: 1-800-426-1262 between 6:30 a.m. and 4:30 p.m. Pacific time.

PT

Performance Tool

Please read these instructions carefully and retain them for future use.

On occasion, after printing of our literature is completed, our manufacturers may make changes and/or modifications to merchandise which will not be reflected in this manual. Although we strive to maintain complete and accurate information, it is possible in some instances, that the product may differ slightly from printed specifications. Illustrations are intended for reference only. Actual merchandise may vary. Wilmar is not responsible for typographical errors.

Performance Tool®

SPECIFICATIONS

Maximum Working Pressure.....	250 PSI
Air Outlet.....	Brass 1/4 in. Female NPT
Air Inlet.....	Brass 1/4 in. Female NPT
Capacity.....	50 ft. x 3/8 in.

Contents:

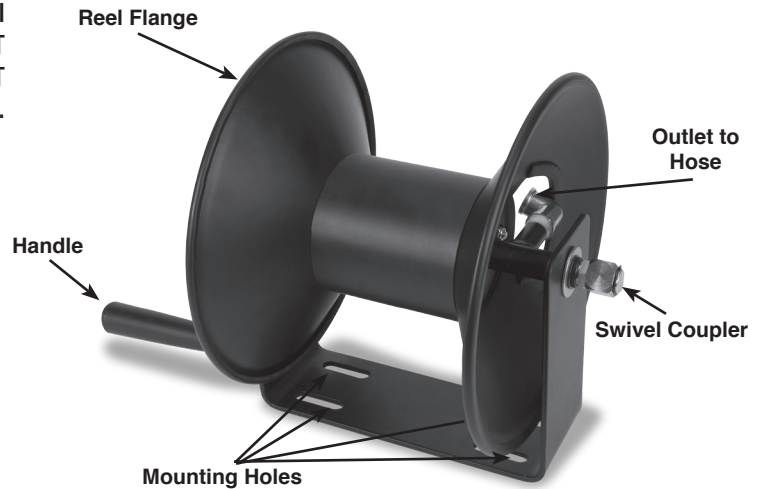
Hose Reel
Instruction Manual
Handle & Bolt

Make sure all parts listed above are enclosed.

Tools Needed for Assembly:

Hex head screwdriver and adjustable wrench and thread sealant.

Specifications are subject to change without notice



IMPORTANT SAFETY INFORMATION

Read these safety warnings before operation.

1. Stay alert. Watch what you are doing and use common sense when operating the hose reel.
2. Do not use the hose reel while tired or under the influence of drugs, alcohol, or medication. Any inattention while operating the hose reel increases the risk of injury to persons.
3. Dress properly. Do not wear loose clothing or jewelry. Contain long hair. Keep hair, clothing, and gloves away from moving parts. Loose clothes, jewelry, or long hair increases the risk of injury to persons as a result of being caught in moving parts.
4. Do not overreach. Keep proper footing and balance at all times. Proper footing and balance enables better control of the hose reel in unexpected situations.
5. Disconnect the hose reel from the air source before making any adjustments, changing accessories, or storing the hose reel. Such preventive safety measures reduce the risk of starting the hose reel or tool unintentionally.
6. Store the hose reel when it is idle out of reach of children and other untrained persons. A hose reel is dangerous in the hands of untrained users.
7. Use only accessories that are identified by the manufacturer for the specific hose reel model. Use of an accessory not intended for use with the specific hose reel model, increases the risk of injury to persons.
8. Hose reel service must be performed only by qualified repair personnel.
9. When servicing a hose reel, use only authorized, identical replacement parts.
10. Never connect to an air source that is capable of exceeding 200 psi. Over pressurizing the hose reel may cause bursting, abnormal operation, breakage of the hose reel or serious injury to persons.
11. Use only clean, dry, regulated compressed air at the rated pressure or within the rated pressure range as marked on the hose reel.
12. Always verify prior to using the hose reel that the air source has been adjusted to the rated air pressure or within the rated air-pressure range.
13. Never use oxygen, carbon dioxide, combustible gases or any bottled gas as an air source for the hose reel. Such gases are capable of explosion and serious injury to persons.
14. The warnings and precautions discussed in this manual cannot cover all possible conditions and situations that may occur. It must be understood by the operator that common sense and caution are factors which cannot be built into this product, but must be supplied by the operator.
15. Obey the manual for the air hose reel and air compressor used with this hose reel.
16. Install an in-line shutoff valve to allow immediate control over the air supply in an emergency, even if a hose is ruptured.
17. **▲ WARNING:** The brass components of this product contain lead, a chemical known to the State of California to cause birth defects or other reproductive harm.

HANDLE ASSEMBLY

Attach swivel handle to the reel using the hardware supplied.

Match handle to receptacle hole in crank arm. Attach using supplied nylon threaded nut. Use hey key on outside of handle and wrench on nylon lock washer to tighten handle until secure.



⚠ WARNING: This hose reel is suitable for 3/8 in. x 50 ft. reel. Keep in mind that the maximum pressure can not exceed 250 psi during use.

MOUNTING INSTRUCTIONS

CAUTION: Read and understand Mounting instructions before attempting installation and use of this product.

CAUTION: DRYWALL WILL NOT HOLD THE WEIGHT OF THE REEL ASSEMBLY.

The hose reel can be wall-mounted if desired. The reel will still be detachable for remote use.

Note: You must purchase hardware for mounting your new reel. Where you mount your reel will determine the hardware needed, since different surfaces may require different materials. Mount the unit through the four mounting holes on the Base with four bolts (not included) fitted for 13/32" diameter holes.

1. Choose a mounting location that is free of electrical wiring or other obstructions, and is sturdy enough to support the weight of the reel and hose as well as the force used to extend and retract it. Note the length of the lead hose in relation to your air source.

2. Mark the center of the 4 Mounting Bracket bolt holes in the desired mounting location.

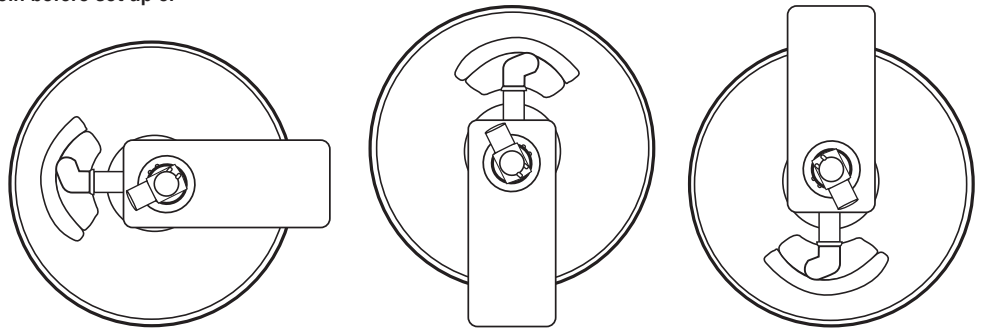
⚠ WARNING: Do not mount directly to dry wall. Use or build a mounting bracket that attaches to the wall studs or secure other mounting surface that hold substantial weight.

3. Check for hidden wiring, then, drill holes to accommodate the bolts (not included).

4. Mount the reel and secure in place with bolts or heavy duty lag screws.

NOTE: Read the entire Important Safety Information section at the beginning of this manual including all text under subheadings therein before set up or use of this product.

Reel may be mounted in a variety of ways
- wall, bench, truck or ceiling.



HANDLE ASSEMBLY

Connecting air hose.

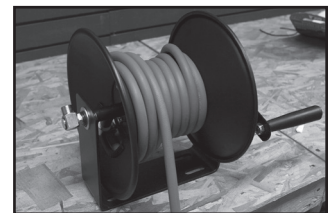
1. Apply thread sealant to inlet hose and connect to the swivel joint on reel.



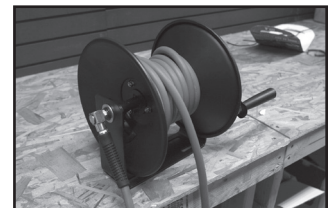
2. Apply thread sealant to outlet fitting and tighten air hose.



3. Wind hose onto air hose reel winding the hose orderly from right to left and back again until fully installed.



4. Connect inlet hose, pressurize system and test for leakage. If unsure use a mixture of dish soap and water to verify joints are completely sealed.



1 YEAR LIMITED WARRANTY

PERFORMANCE TOOL® extends only the following warranties, and only to original retail purchasers. These warranties give specific legal rights. Except where prohibited by local law, the law of the State of Washington governs all warranties and all exclusions and limitations of warranties and remedies. There may be other rights which vary from state to state.

PERFORMANCE TOOL® warrants the product to be free from defects in materials and workmanship under normal use and service. A defective product may be returned for a free replacement within 90 days from the date of purchase, provided that product is returned to place of purchase immediately after discovery of defect. After 90 days and up to one year from date of purchase, PERFORMANCE TOOL® will replace at no charge any parts which our examination shall disclose to be defective and under warranty. These warranties shall be valid only when a sales receipt showing the date of purchase accompanies the defective product or defective part (s) being returned. For part (s) after 90 days, please remit your request, postage prepaid to:

PERFORMANCE TOOL, P.O. Box 88259 Tukwila, WA 98138

These warranties exclude blades, bits, punches, dies, bulbs, fuses, hoses, and other consumables which must be replaced under normal use and service. These warranties shall not apply to any product or part which is used for a purpose for which it is not designed, or which has been repaired or altered in any way so as to affect adversely its performance or reliability, nor shall these warranties apply to any product or part which has been subject to misuse, neglect, accident or wear and tear incident to normal use and service.

PERFORMANCE TOOL® does not authorize any other person to make any warranty or to assume any liability in connection with its products.

Except for warranties of title and the limited express warranties set forth above, PERFORMANCE TOOL® makes no express or implied warranties of any kind with respect to its products. In particular, PERFORMANCE TOOL® makes no implied warranty of merchantability and no implied warranty of fitness for any particular purpose, except that for goods purchased primarily for personal, family or household use and not for commercial or business use, PERFORMANCE TOOL® makes an implied warranty of merchantability (and, if otherwise applicable, an implied warranty of fitness for a particular purpose), but only for the particular qualities or characteristics, and for the duration, expressly warranted above.

The laws on limitation of implied warranties may differ from state to state, so the above limitations may not apply in all cases.

PERFORMANCE TOOL® shall not be liable for consequential, incidental or special damages resulting from or in any manner related to any product, or to the design, use, or any inability to use the product. The sole and exclusive remedy for a defective product or part shall be the repair, or replacement thereof as provided above. The laws on limitation of remedies or on consequential, incidental or special damages may vary from state to state, so the above limitations may not apply in all cases.