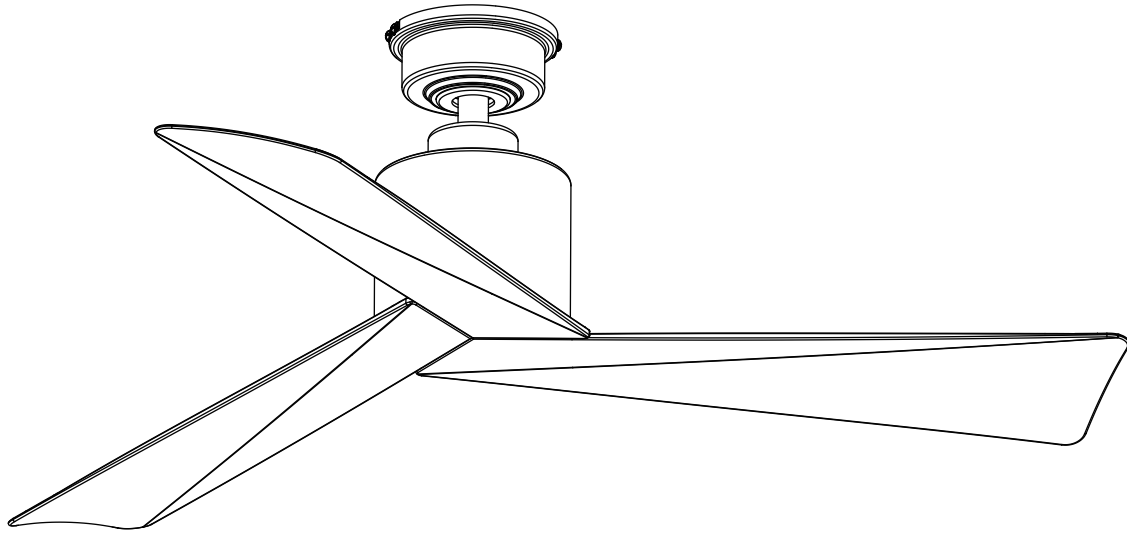



# INSTRUCTION MANUAL

## DOWNROD MOUNT SERIES



 "INSTRUCTIONS PERTAINING TO RISK OF FIRE OR INJURY TO PERSONS"  
"READ ALL INSTRUCTIONS"  
**"IMPORTANT SAFETY INSTRUCTIONS"**  
**"SAVE THESE INSTRUCTIONS"**  
INSTALLATION AND WIRING TO BE IN ACCORDANCE WITH CEC,  
NEC, LOCAL ELECTRICAL CODES and ANSI/NFPA 70.  
Consult a qualified electrician if you are not familiar with wiring.

Questions, problems, missing parts? Before returning to the store,  
call CANARMNA Customer Service  
8 a.m. - 5 p.m., EST, Monday-Friday.

1-800-265-1833

ressalescanada@canarmna.ca



**IMPORTANT:** Please read and understand this manual before any assembly. Before beginning assembly of product, make sure all parts are present. Compare parts with packaging contents list.

# Table of Contents

Table of Contents .....	2	Assembly .....	6
Safety Precautions .....	2	Operation .....	11
Warranty .....	3	Troubleshooting .....	12
Pre-Installation .....	3	Maintenance .....	13
Installation .....	6		

## Safety Precautions

READ AND SAVE THESE INSTRUCTIONS.

1. Turn off power at main electrical service box before starting installation. <sup>14</sup>
2. Electrical connections must comply with local code ordinances, national electrical codes, CEC, NEC and ANSI/NFPA 70. <sup>13</sup>
3. Make sure the installation site you choose allows the fan blades to rotate freely without any obstructions.
4. When mounting the fan on a ceiling outlet box, Use an approved (CSA for Canada and UL for U.S.) ceiling fan box marked "FOR FAN SUPPORT". Ensure the outlet box is securely installed in place such that it is able to support at least the fan weight.
5. **WARNING:** To reduce the risk of fire, electric shock, or other personal injury, mount fan only on an outlet box or supporting system marked acceptable for fan support of 35 lbs (15,9 kg) or less and use the mounting screws provided with the outlet box. Most outlet boxes commonly used for the support of lighting fixtures are not acceptable for fan support and may need to be replaced. Consult a qualified electrician if in doubt.
6. Ensure that **ONLY** wet rated model for wet location.
7. The fixing means for attachment to the ceiling such as hooks or other devices shall be fixed with a sufficient strength to withstand 4 times the weight of the ceiling fan. <sup>7</sup>
8. The mounting of the suspension system shall be performed by the manufacturer, its service agent or suitably qualified persons. <sup>8</sup>
9. This ceiling fan is pre-built with luminaire. Do not use any other luminaire for this fan. <sup>9</sup>
10. This appliance is not intended for use by persons (including children) with reduced physical, sensory or mental capabilities, or lack of experience and knowledge, unless they have been given supervision or instruction concerning use of the appliance by a person responsible for their safety. <sup>1</sup>
11. Children should be supervised to ensure that they do not play with the appliance. <sup>2</sup>



**WARNING:** To reduce the risk of personal injury, DO NOT bend the blade brackets when installing the brackets, balancing the blades or cleaning the fan. Also, DO NOT insert foreign objects in between rotating fan blades. <sup>10</sup>



**WARNING:** To reduce the risk of fire, electric shock, or personal injury, mount to outlet box marked acceptable for fan support and use mounting Screws provided with the outlet box. <sup>11</sup>



**WARNING:** Mount with the lowest moving parts at least 2.10 Meters (7 Feet) above floor or grade level



**WARNING:** DO NOT operate reversing switch while fan blades are in motion. Fan must be turn off and rotating blades stopped completely, operate reverse switch and then operate speed switch for the opposite direction.



**WARNING:** Remove fan from the carton carefully and check for shipping damage. Check blades for bends and dents. In case assistance is required please contact our service centre.



**WARNING:** All set screws must be checked and retightened where necessary, before and after installation.



**WARNING:** To reduce the risk of personal injury install the safety cable (per step 4).



**WARNING:** Used Batteries must be disposed of according to your local recycling regulations, many retail outlets provide special battery recycling drop off boxes.



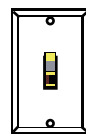
**WARNING:** Do not mix battery types or voltages to avoid personal injury and/or damage to the fan and remote control.



**WARNING:** Direct wiring to an external variable speed wall control or dimmer switch of this fan and or external light kit will void warranty and make fan and light inoperable



**WARNING:** Do NOT install this fan with variable speed wall control or wall-mounted dimmer switch. It will permanently damage the fan's remote control and cause the fan's function to fail.



ON / OFF switch



NO Variable speed wall control



NO Dimmer switch

# Warranty

## 5 YEAR LIMITED WARRANTY

“Thank you” for purchasing our product. It is our policy to furnish you with high quality products at a fair price. With proper installation your fan should provide you with years of money saving comfort.

This fan is guaranteed to be free from defects in workmanship and Material for a period of five (5) years from date of purchase. Within the first (1) year from date of purchase any defective product should be returned to your **RETAIL OUTLET** along with proof of purchase. For the balance of the warranty, four (4) years, the **MOTOR WINDINGS ONLY** shall be free of defects. We will correct such defects or replace the motor assembly at our option if the product is returned, **FREIGHT PREPAID**, to us. The returned fan must be accompanied by your proof of purchase and a cheque for \$20.00 for handling and labour charges. All costs of removing and re-installing the product are **YOUR RESPONSIBILITY** damage to any part as such by accident, misuse, improper installation or by affixing any accessories **IS NOT** covered by this warranty. As a result of varying climatic conditions in your area this warranty does not cover any changes in finishes, including rusting, pitting, corroding, tarnishing or peeling. **WARRANTY VOID: In cases of alteration, abuse, installation not in accordance with instructions or REMOVAL Of the CSA Sticker.**

This manual is used for following model series. <sup>18</sup>

CF52 series  
CF52ELI and CF52XXX

NOTE: XXX indicates series name.

## Pre-Installation

### SPECIFICATIONS

Size	Speed	Volts	Amps	Watts	RPM	CFM	Net Weight	Gross Weight	Cube Feet
52 in.	1	120	0.08	3.8	92	2568	11.28 lb (5.12 kg)	14.33 lb (6.5 kg)	1.99 cu.ft.
	2		0.11	6.2	116	3220			
	3		0.15	9.1	134	3761			
	4		0.22	13.2	150	4275			
	5		0.26	16.2	162	4563			



**NOTE:** These are approximate measures. They do not include the amps and wattage used by the light kit.

### TOOLS REQUIRED



Phillips screwdriver



Flat blade screwdriver



Adjustable wrench



Electrical tape



Wire cutter / stripper



Step ladder

# Pre-Installation (continued)

## HARDWARE INCLUDED



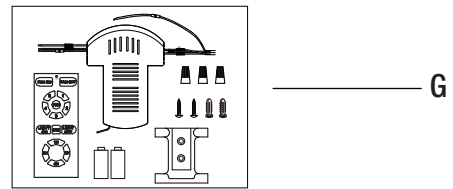
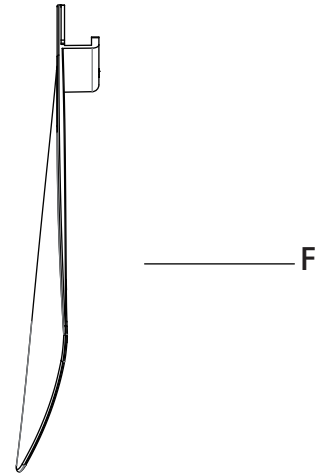
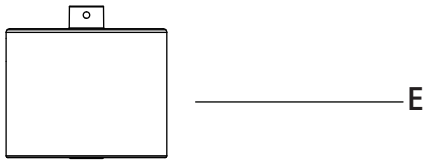
NOTE: Hardware not shown to actual size.



Part	Description	Quantity
AA	Rubber gasket	2
BB	J-Hook	1

# Pre-Installation (continued)

## PACKAGE CONTENTS



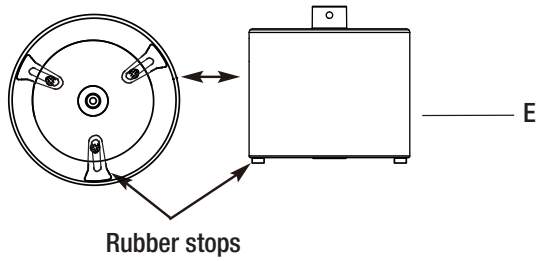
Part	Description	Quantity
A	Mounting bracket c/w ground wire	1
B	Ceiling canopy	1
C	Ball/Downrod assembly	1
D	Yoke cover	1
E	Motor assembly	1

Part	Description	Quantity
F	Blade	3
G	Remote control (Includes Transmitter & Receiver & Battery & Wall bracket & Wall anchors Wire nuts & screws)	1

# Assembly

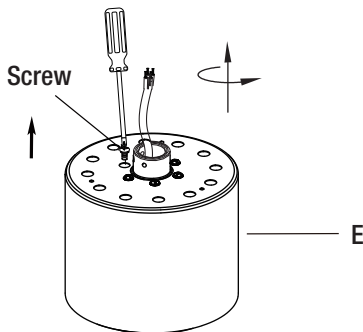
## 1 MOUNTING BLADES TO MOTOR

- a  Remove the rubber stops on the motor (E).

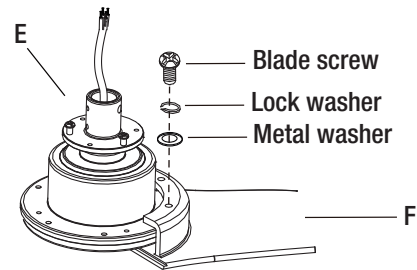
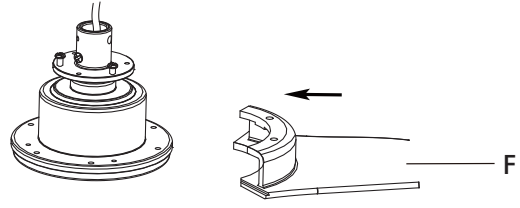


NOTE: Fan comes with three rubber stops on motor for shipping purposes only. Remove stops before running motor or installing blades to motor.

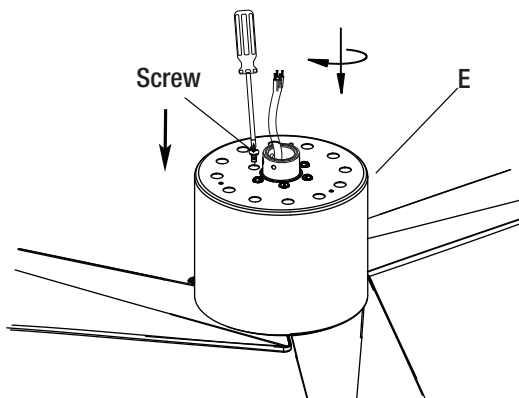
- b  Remove the cover on the top housing.



- c  Remove the blade screws, lock washers and metal washers on the motor (E).  
 Attach the blade (F) to the fan motor assembly (E) using the blade screw, lock washer and metal washer removed in the previous step.  
 Slightly turn the blade (F) after installation and repeat the same step for the other blades (F).

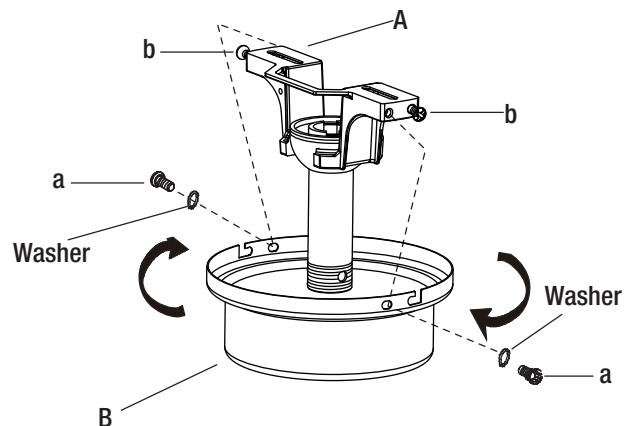


- d  Re-attach the cover on the top housing.



## 2 PREPARING FOR MOUNTING

- Release the mounting bracket (A) from the canopy (B) by removing the two screws (marked "a" on diagram) and washers, and loosening the two screws (marked "b" on diagram) and washers.

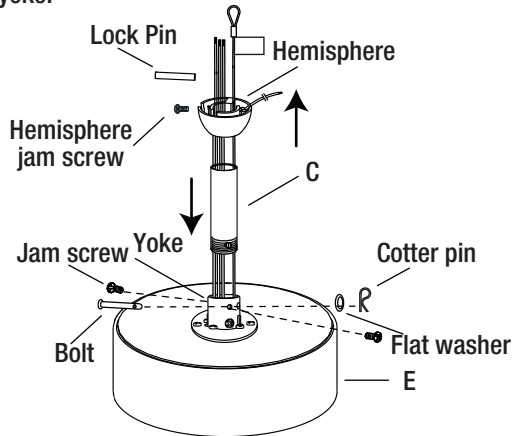


# Assembly (continued)

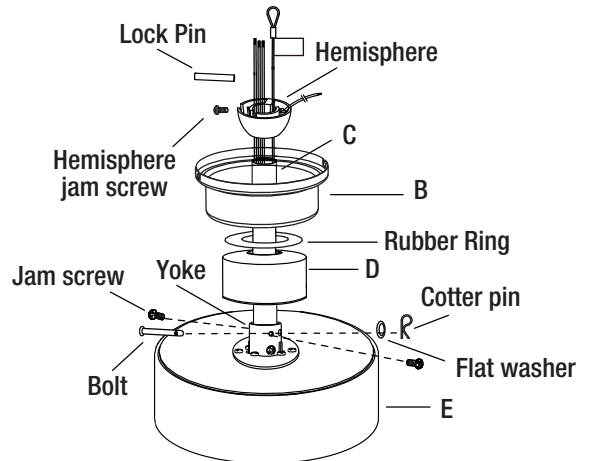
## 3 ASSEMBLING THE FAN

### DOWNROD MOUNT

- Remove the hemisphere from downrod (C) by loosening the hemisphere jam screw and lock pin.
- Remove Bolt, flat and cotter pin from the yoke. Slightly loosening the 2 jam screws on the yoke.
- Route the wires and safety cable through the downrod (C) and screw the downrod (C) into the yoke and align holes for the bolt to go through. **Ensure not to damage the wires.** Place the flat washer and cotter pin to lock the bolt. Re-tighten the 2 jam screws on the yoke.



- Slide the yoke cover (D), rubber ring and canopy (B) into the downrod (C).
- Re-attach the hemisphere into the downrod (C). Insert the lock pin through the hole of downrod (C) and put the lock pin in place on the hemisphere.
- Tighten the hemisphere jam screw against the downrod (C).



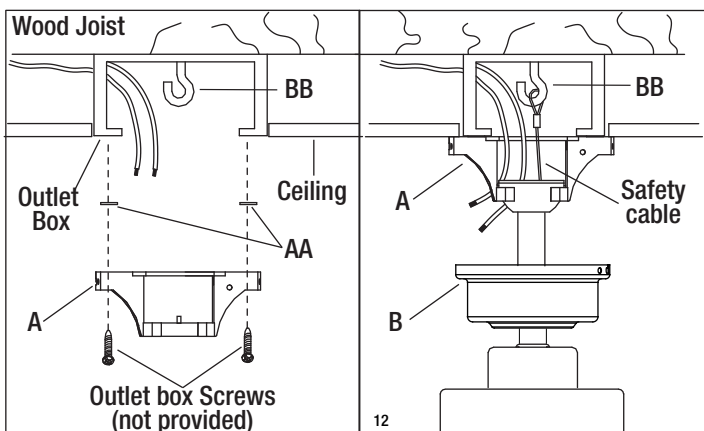
## 4 INSTALLING THE MOUNTING BRACKET



**WARNING:** To Reduce The Risk Of Fire, Electric Shock, Or Personal Injury, Mount To UL/CSA Listed Outlet Box Marked Acceptable for Fan Support And Use Mounting Screws Provided With The Outlet Box.

### DOWNROD MOUNT

- Install the J-Hook (BB) through center of the outlet box and into the wood joist.
- Secure the mounting bracket (A) and rubber gaskets (AA) to the outlet box.
- Hang downrod mount, fan on mounting bracket (A) by aligning tab on mounting bracket (A) with groove in hanger ball on downrod.
- Hang the fan on the mounting bracket (A).

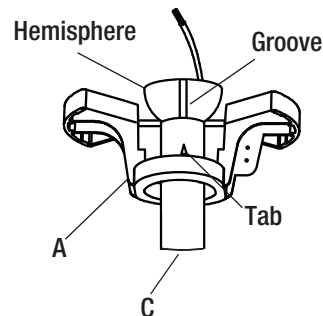


## 5 ENGAGING THE HEMISPHERE (Downrod Mount Only)

- Carefully rotate the fan assembly until the groove in the hemisphere locks over the tab of the mounting bracket (A) assembly.



**WARNING:** Failure to seat the tab in the groove could cause damage to electrical wires and possible shock or fire hazard.



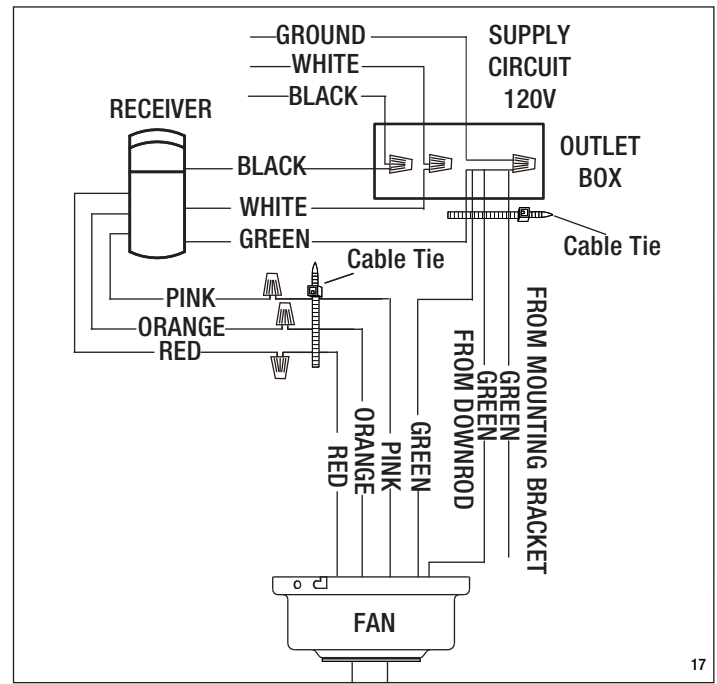
**NOTE:** When installing the fan on a sloped ceiling, make sure the tab on the hanger bracket faces towards the top of the slope. Depending on the slope, a longer downrod may be required to prevent fan blades from hitting the ceiling.

# Assembly (continued)

## 6 ELECTRICAL HOOK-UP

Direct wiring to an external variable speed wall control or dimmer switch of this fan and or external light kit will void warranty and make fan and light inoperable.

- a  Make the following wire connections to the receiver unit using the wire nuts supplied.
  - a To the household supply wires
    - Connect the following 4 GREEN wires to the GREEN supply wire.
      1. GREEN wire from the downrod
      2. GREEN wire from the receiver
      3. GREEN wire from the motor
      4. GREEN wire from the mounting bracket
    - Connect BLACK receiver unit wire to BLACK supply wire.
    - Connect WHITE receiver unit wire to WHITE supply wire.
  - b To the fan wires
    - Connect RED receiver wires to the RED wire from motor.
    - Connect ORANGE receiver wires to the ORANGE wire from motor.
    - Connect PINK receiver wires to the PINK wire from motor.
- After making the wire connections, ensure the wires should be spread apart with the grounded conductor and the equipment-grounding conductor on one side of the outlet box and the ungrounded conductor on the other side of the outlet box. <sup>15</sup>
- Ensure the splices after being made should be turned upward and pushed carefully up into the outlet box. <sup>16</sup>
- Make sure no bare wire is visible at the wire nuts.
- Use a cable tie supplied to tighten each group of wires for easy installation.

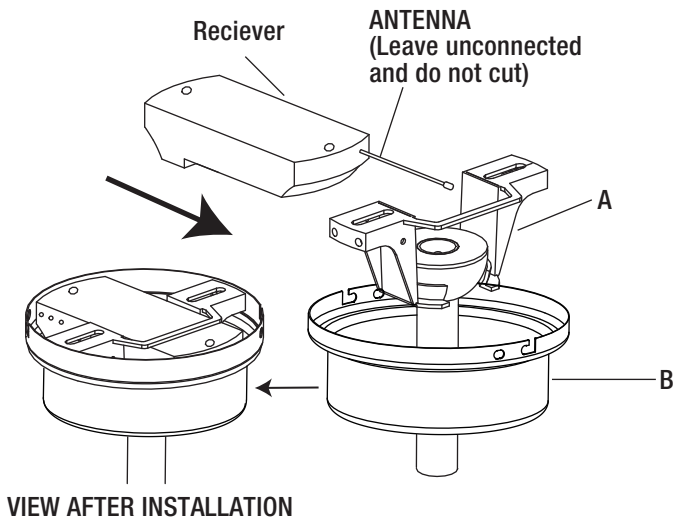


In Quebec, the installation of this product must be carried out by a qualified electrician.



**NOTE:** Once ground wires are connected, carefully tuck all wires and wire nuts into the metal outlet box making sure that the wires are clear of the hemisphere and downrod when positioned in mounting bracket.

- b  Push all connected wires up into ceiling box.
  - Position the receiver into the mounting bracket (A) as shown.
  - Ensure to connect the ground wire accordingly.

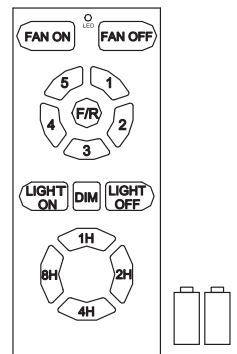


## C LEARNING PROCESS



**WARNING:** Bypassing the remote and directly wiring fan or light voids warranty and will render the fan and light kit inoperable. Only use supplied remote control to operate the fan and light kit.

- Learning code and matching mode is used between transmitter and receiver.
- Turn "ON" the supply power. Within 30 seconds, press "FAN ON" button on the transmitter for 5 seconds. Transmitter and receiver are connected after hearing a long "beep".
- If the transmitter cannot control the fan, check to ensure all wiring connections are properly connected according to the instruction manual. Check to ensure the batteries are in the right position. Check whether there are any similar remote controls in use nearby. Check whether they work with the same frequency.
- Low voltage of battery will affect the sensitivity of the transmitter. The indicator light will flash when battery voltage is low. Replace the batteries for better performance.
- Take out the batteries from the transmitter when leaving unused for long periods of time.

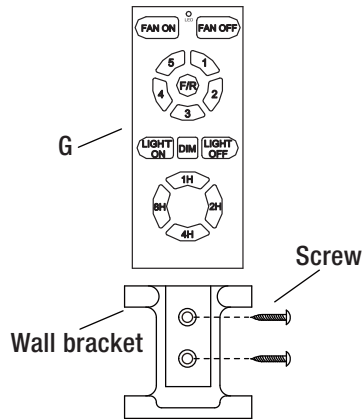


# Assembly (continued)

## 7 INSTALLING THE REMOTE CONTROL WALL BRACKET

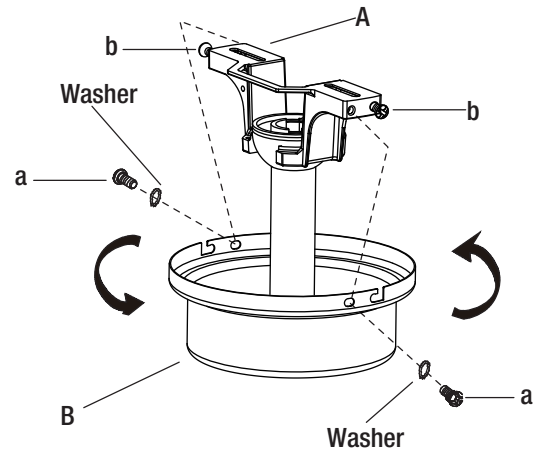
If desired, the wall bracket can be installed to house the remote control (G).

- Use the screws to secure the wall bracket at the desired mounting location.
- Place the remote control (G) into the wall bracket.



## 8 MOUNTING THE FAN ASSEMBLY

- Place two screws and washers on the mounting bracket (A) which correspond with the slots in the canopy (B). Screw in two turns.
- Position the canopy (B) to the mounting bracket (A) by aligning the slots to the screws (marked "b" on diagram) then turn to lock.
- Position and tighten the two screws and washers (marked "a" on diagram) then tighten the two screws (marked "b" on diagram).

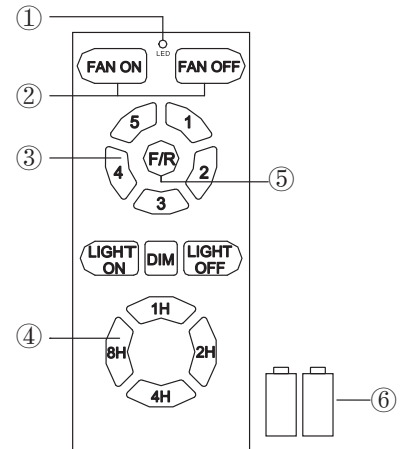


# Operation

## USING THE REMOTE CONTROL

Operation buttons on the remote:

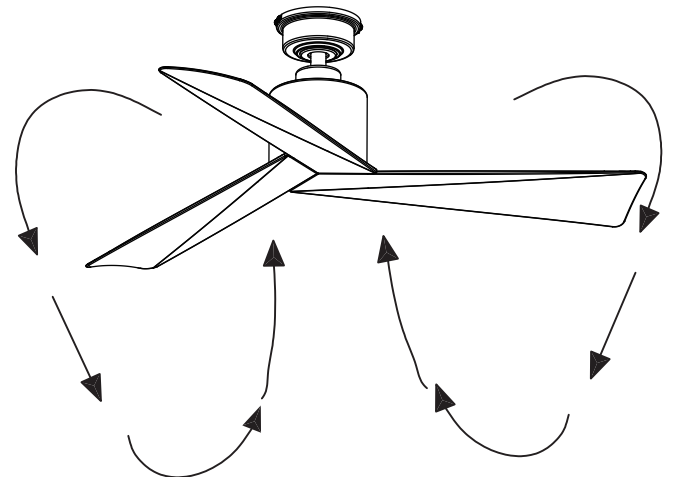
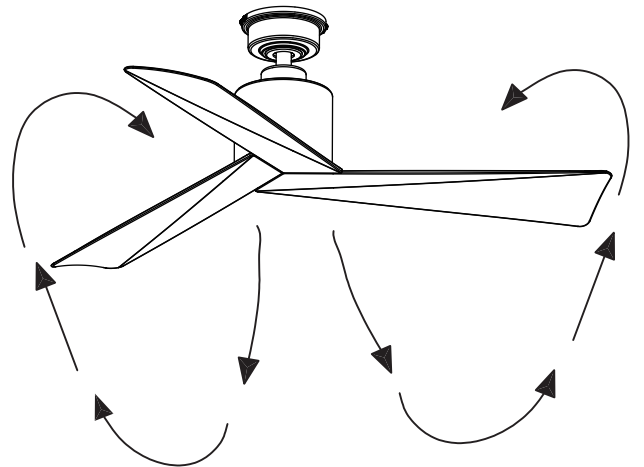
- ① LED indicator light
- ② ON/OFF the fan
- ③ Speed of the fan (① low speed - ⑤ high speed)
- ④ Timing control of the fan
- ⑤ Direction of the fan (reverse switch)
- ⑥ Two 1.5V AAA Batteries



The reverse switch is for Forward/Reverse.  
This setting would usually be changed twice per year.

Downdraft in summer to create a wind chill to give a cooling effect.

Updraft in winter to circulate the hot stratified air off the ceiling and back down to the floor without creating a wind chill.



# Troubleshooting

Problem	Solution
The fan will not start.	<ul style="list-style-type: none"><li><input type="checkbox"/> Check wiring connections to fan.</li><li><input type="checkbox"/> Check fuses and circuit breakers.</li><li><input type="checkbox"/> Check wiring connections in switch housing.</li></ul> <b>CAUTION: Turn power off for last two items.</b>
Fan sounds noisy.	<ul style="list-style-type: none"><li><input type="checkbox"/> Check to make sure that all screws in motor housing are snug.</li><li><input type="checkbox"/> Check to make sure that blade bracket screws are tight.</li><li><input type="checkbox"/> Check to make sure that wire nuts in switch housing are not rattling against wall of switch housing.</li><li><input type="checkbox"/> If fan has a light kit make sure switch housing screws and set screws are tight.</li><li><input type="checkbox"/> Some fan motors are sensitive to signals from solid state variable controls. If solid state controller is used, change to an alternative control.</li><li><input type="checkbox"/> Allow a 24-hour break- in period to eliminate most noises.</li></ul>
Fan wobbles or shakes excessively	<ul style="list-style-type: none"><li><input type="checkbox"/> Check that all blades are screwed firmly into blade brackets</li><li><input type="checkbox"/> Check that blade brackets are secured firmly to motor.</li><li><input type="checkbox"/> Check distance from tip of blades to ceiling.</li><li><input type="checkbox"/> Check distance between blade tip to blade tip. All measurements should be equal. Loosen blade screws and position blade until even then re-tighten.</li><li><input type="checkbox"/> Check that the downrod hemisphere notch is engaged in canopy.</li><li><input type="checkbox"/> Check to make sure that jam screws in downrod are tightened.</li><li><input type="checkbox"/> Make sure canopy and mounting bracket are tightened securely to wooden joist.</li><li><input type="checkbox"/> Make sure warpage has not occurred in wooden blades. If so, contact the customer service department for replacement parts.</li></ul>

