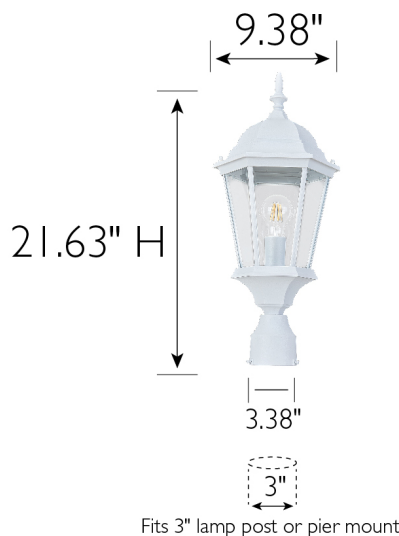


Oak Creek Outdoor Post Top Light White



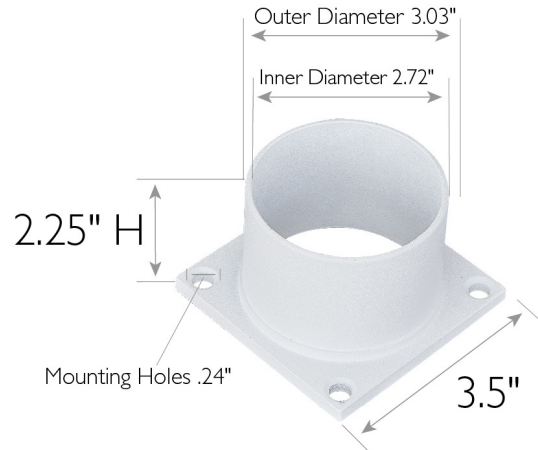
SPECIFICATIONS

MOUNTING:	Pier or Post Mount	LED BRIGHTNESS (LUMENS):	N/A
SLOPED CEILING ADAPTABLE:	No	LED COLOR CORRELATED TEMPERATURE (CCT):	N/A
LAMP TYPE 1:	Incandescent	LED COLOR RENDERING INDEX (CRI):	N/A
BULB INCLUDED:	No	LED EFFICACY:	N/A
WATTS PER BULB:	60W	LED AVERAGE RATED LIFE:	N/A
TOTAL WATTAGE:	60W	ENERGY EFFICIENT:	N/A
DIMMABLE:	No	LIGHTING AMPS:	0.5
MATERIAL CONSTRUCTION:	Aluminum/Glass	VOLTAGE:	120V
ASSEMBLED DIMENSIONS:	21.63" H x 9.38" L x 8.13" D		
WEIGHT:	3.74 lbs.		
BACKPLATE DIMENSIONS:	N/A		
CANOPY/PLATE DIMENSIONS:	N/A		
GLASS/SHADE DIMENSIONS:	8.25" H x 9" L x 9" D		
GLASS/SHADE MATERIAL:	Glass		
GLASS/SHADE TYPE:	Clear		
GLASS/SHADE COLOR:	Clear		

WARRANTY:	10-Year limited warranty
UL/ETL CERTIFICATION:	cUL/UL
WET/DRY/DAMP LISTING:	Wet
ADA COMPLIANT:	No
ENERGY STAR CERTIFIED:	No



TYPE:
JOB:
ORDER CODE:
APPROVALS:



SPECIFICATIONS

MOUNTING:	Surface Mount	LED BRIGHTNESS (LUMENS):	N/A
SLOPED CEILING ADAPTABLE:	No	LED COLOR CORRELATED TEMPERATURE (CCT):	N/A
LAMP TYPE I:	N/A	LED COLOR RENDERING INDEX (CRI):	N/A
BULB INCLUDED:	No	LED EFFICACY:	N/A
WATTS PER BULB:	N/A	LED AVERAGE RATED LIFE:	N/A
TOTAL WATTAGE:	N/A	ENERGY EFFICIENT:	N/A
DIMMABLE:	N/A	LIGHTING AMPS:	N/A
MATERIAL CONSTRUCTION:	Aluminum	VOLTAGE:	N/A
ASSEMBLED DIMENSIONS:	2.25" H x 3.5" L x 3.5" D		
WEIGHT:	0.3 lbs.		
BACKPLATE DIMENSIONS:	N/A		
CANOPY/PLATE DIMENSIONS:	N/A		
GLASS/SHADE DIMENSIONS:	N/A		
GLASS/SHADE MATERIAL:	N/A		
GLASS/SHADE TYPE:	N/A		
GLASS/SHADE COLOR:	N/A		

WARRANTY:	10-Year limited warranty
UL/ETL CERTIFICATION:	N/A
WET/DRY/DAMP LISTING:	N/A
ADA COMPLIANT:	N/A
ENERGY STAR CERTIFIED:	N/A



TYPE: JOB: ORDER CODE: APPROVALS:
--