

# FLEXSTEEL®

## W1062-90K1,90K2, 90R3

King bed

## W1062-90Q1,90Q2, 90R3

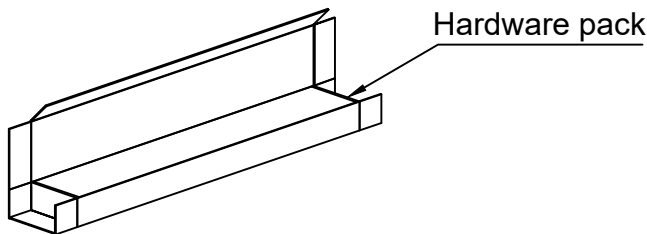
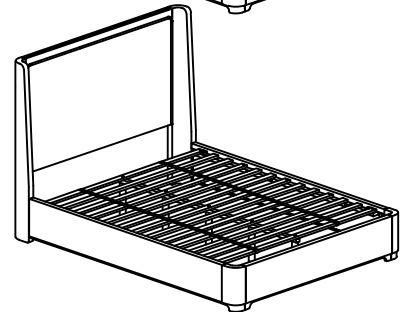
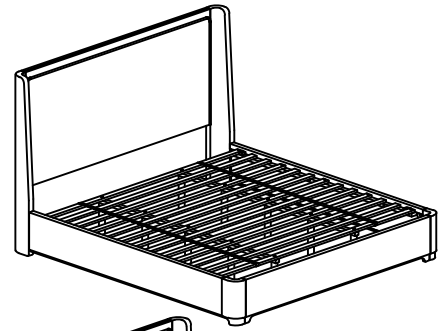
Queen bed

### IMPORTANT NOTES

Carefully remove all the parts from the carton and put them individually on a soft cloth to prevent damage to the parts.

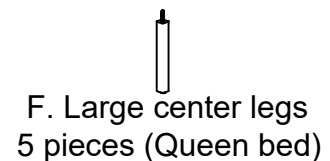
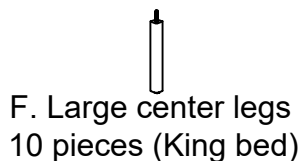
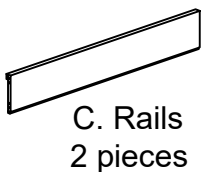
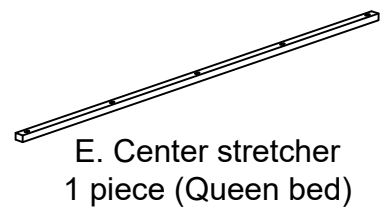
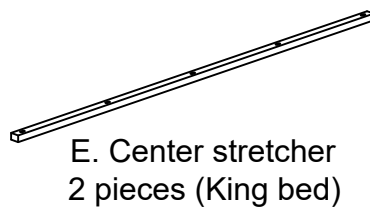
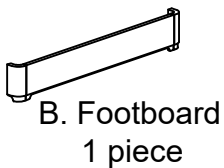
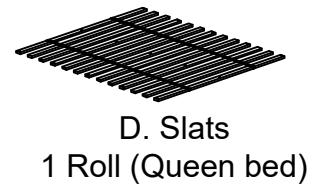
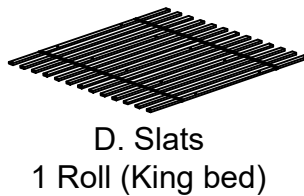
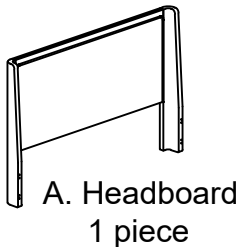
We have taken great care in the design of this product and request that you carefully and accurately follow our assembly instructions to ensure proper set-up.

We recommend at least two adults assemble this product.



### Part List

### Assembly Instruction 1/4



### Hardware List

G. Bolt Ø5/16" - 18 UNC x 3"  
8 pieces

H. C Washer  
27mm x 16mm x 6.5mm  
8 pieces

J. Flat Washer  
Ø5/16" x Ø19mm x 2mm  
8 pieces

K. Spring Washer  
Ø5/16" x 1.5mm  
8 pieces

L. Hex Nut  
Ø5/16" x 18mm x 12mm  
8 pieces

M. Allen Wrench  
1 piece

N. Screws Ø8\*30mm  
10 pieces

Not included  
Phillips Screwdriver  
PH2 x 100mm

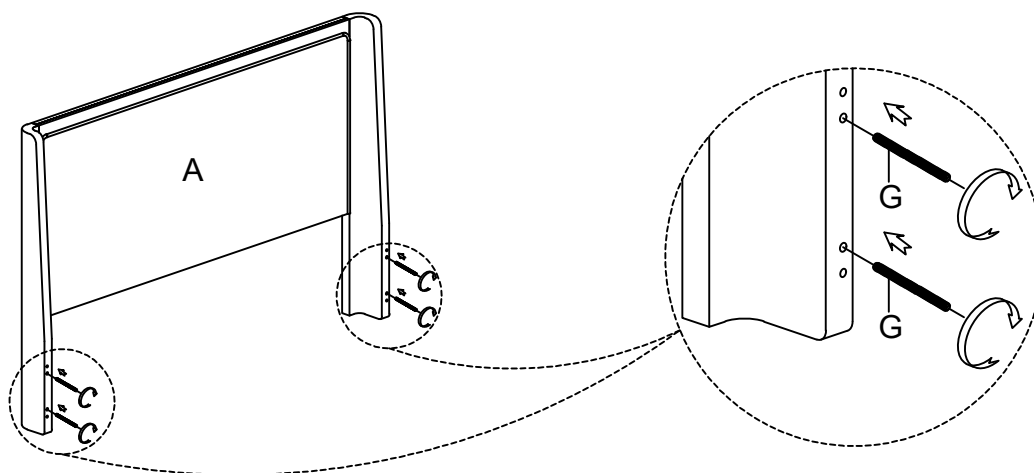
## IMPORTANT NOTES

- Do not tighten up all the screws until each part is properly assembled.
- Keep the Hex Key in a safe place as you may need to tighten up the bolts in the future.
- Use a soft cloth between these parts and the floor.
- We recommend this product be assembled by at least two adults.

## STEP 1

Attach all Bolts (G) to Headboard (A). (See Figure 1).

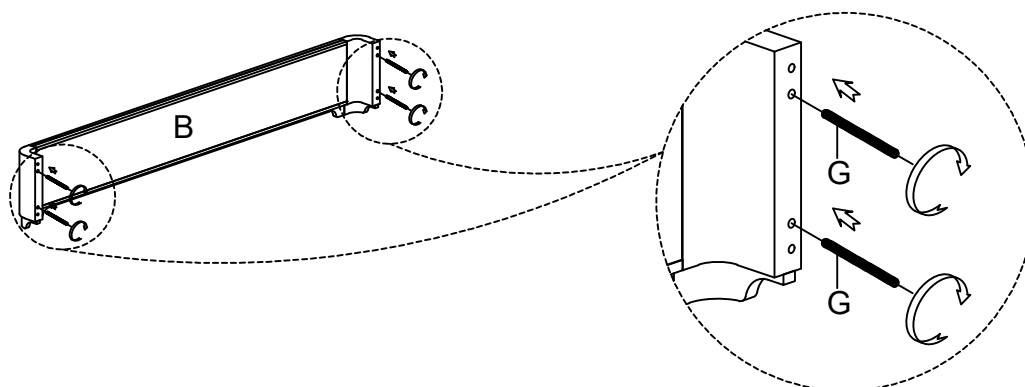
Figure 1



## STEP 2

Attach all Bolts (G) to Footboard (B). (See Figure 2).

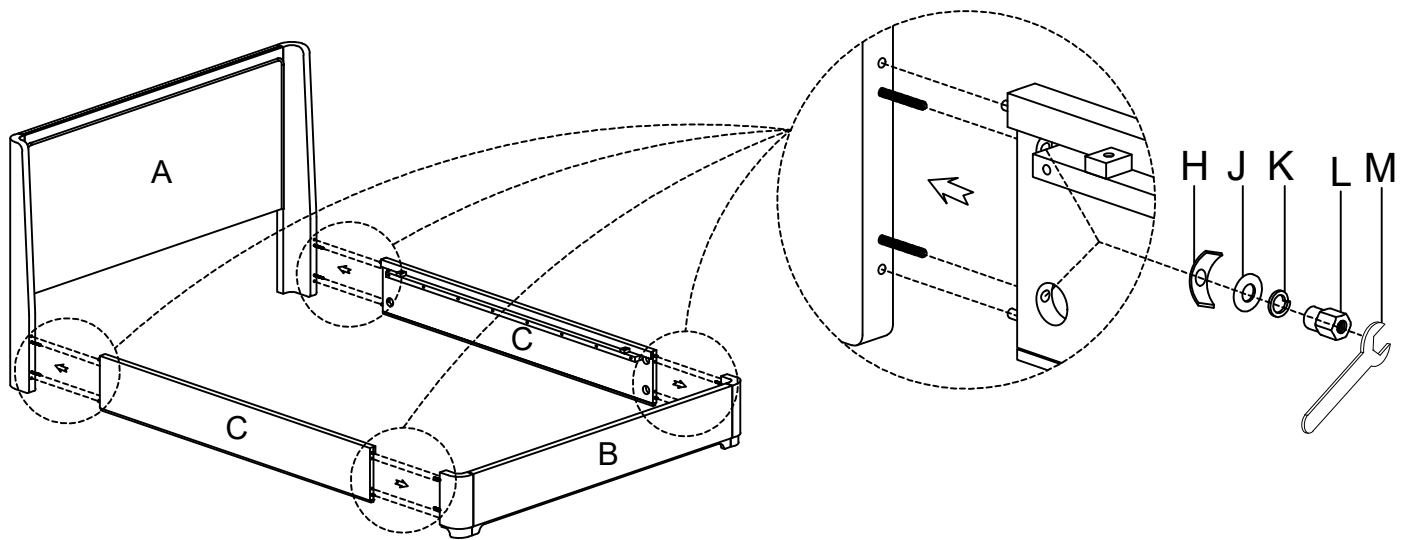
Figure 2



### STEP 3

Attach the Rails (C) to Headboard (A) and Footboard (B), attach all C Washer (H), Flat Washer (J), Spring Washer (K), Hex Nut (L), level Rails to Headboard and Footboard then tighten with the Allen Wrench (M). (See Figure 3).

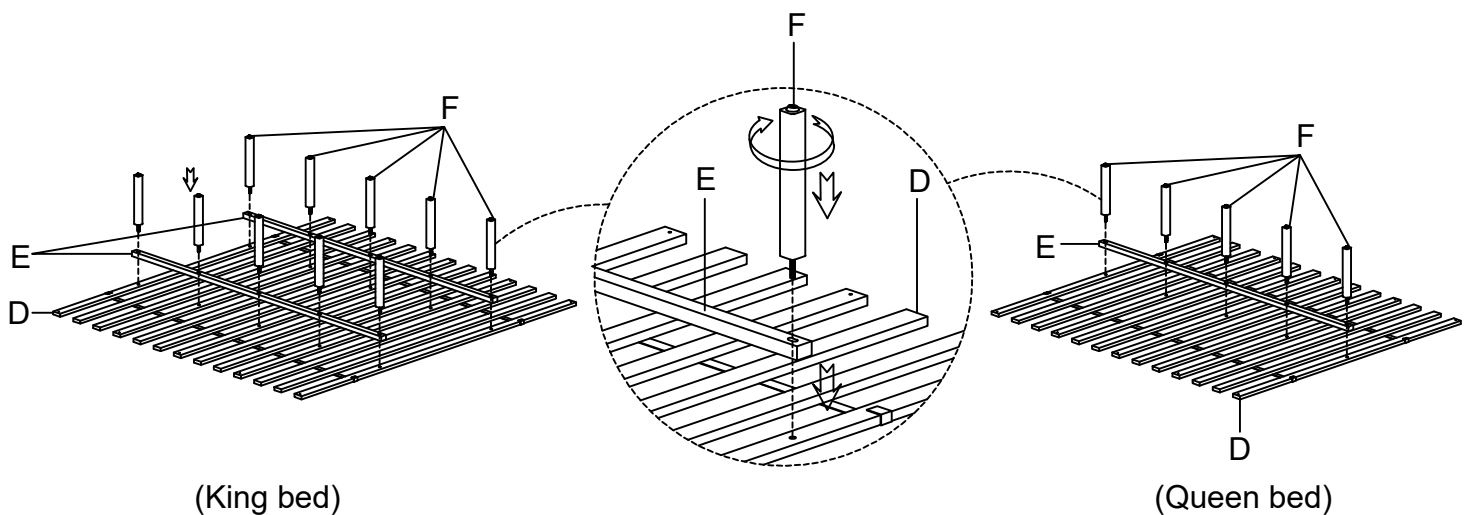
**Figure 3**



### STEP 4

Attach the Center stretchers (E) to the Slats (D) by inserting the Large Center Legs (F) through each hole and rotating them clockwise by hand until tight. (See Figure 4).

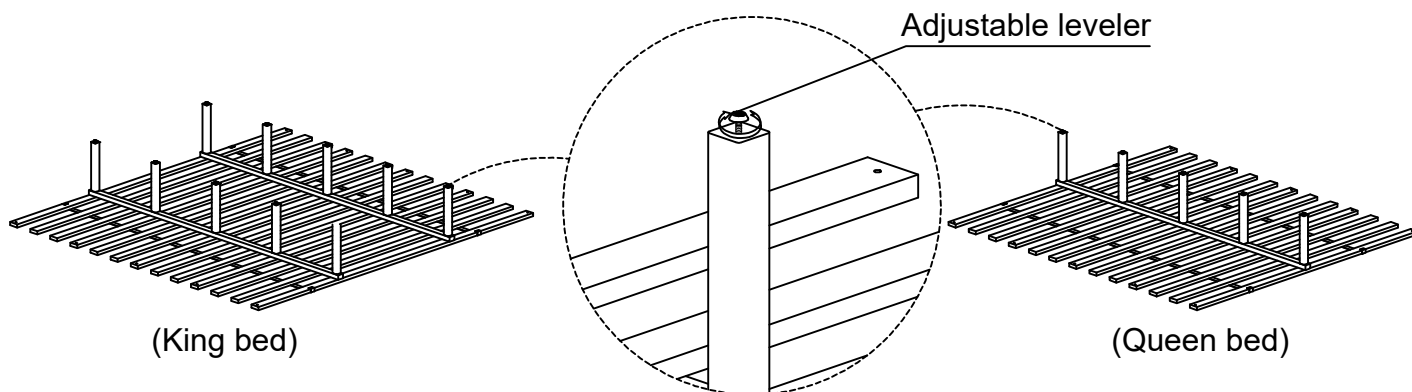
**Figure 4**



### STEP 5

Adjust the levelers under the Large Center legs until the furniture is leveled. (See Figure 5).

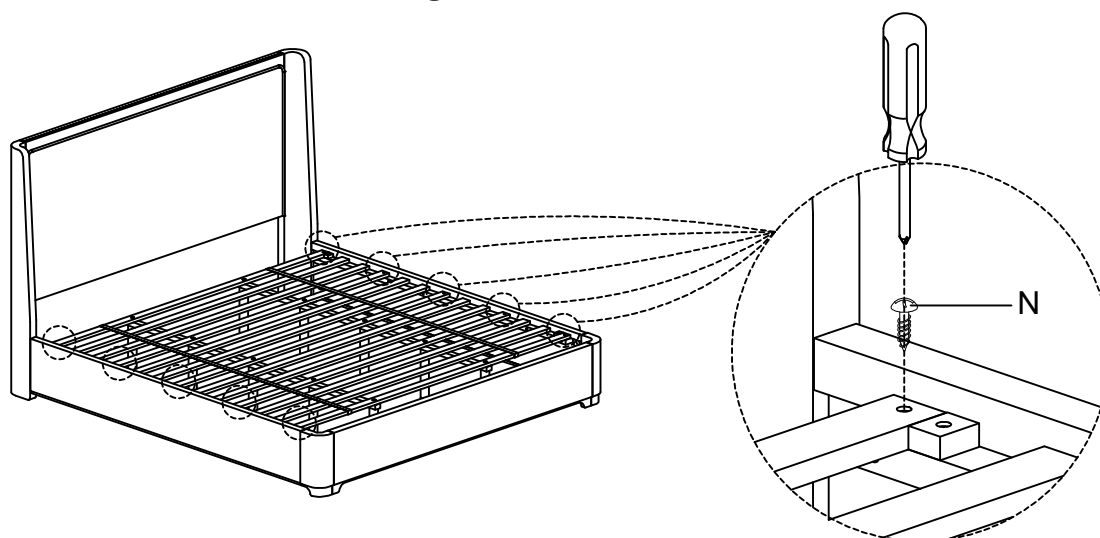
Figure 5



### STEP 6

Attach the Slats (D) to the Rails (C) with Screws (N), tightening with a Phillips Screwdriver (Not Included). (See Figure 6).

Figure 6



#### CARE INSTRUCTIONS

- Avoid the use of harsh chemicals or abrasive cleaning materials.
- Wipe the bed clean with a soft, dry cloth after each use.
- Wipe up spills quickly with a soft, dry cloth.

Flexsteel Industries, Inc.

For Parts or Customer Service call  
toll-free:

1-888-415-3979

Monday-Friday

8:00 a.m. -5:00 p.m.

(Central Time)

Email:

customersolutions@flexsteel.com

www.flexsteel.com