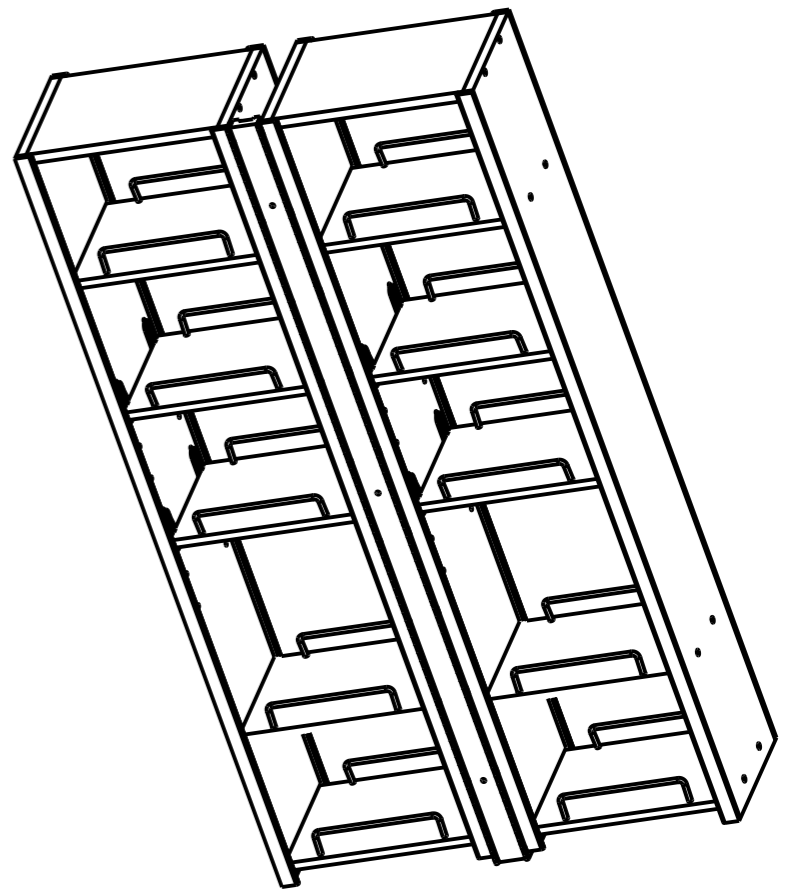
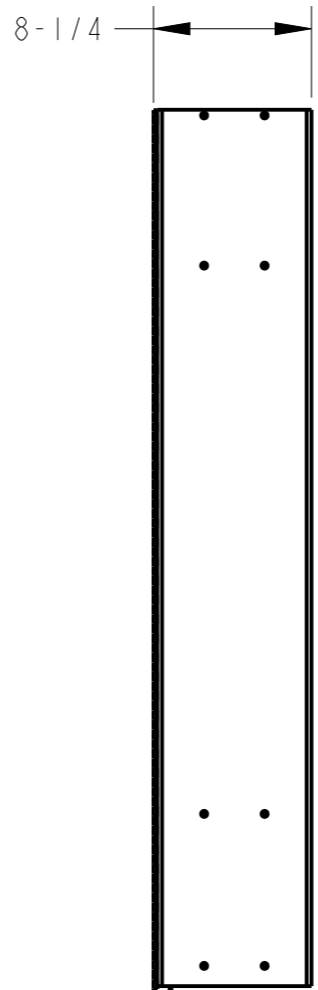


REMOVABLE &
ADJUSTABLE
SHELVES



**hardware
resources**

HARDWARE RESOURCES RESERVES THE RIGHT TO CHANGE SPECIFICATIONS WITHOUT NOTICE. IN CASE OF A DISCREPANCY, ACTUAL PART GEOMETRY SUPERSEDES THIS DOCUMENT.

THE INFORMATION CONTAINED WITHIN THIS DRAWING IS THE SOLE PROPERTY OF HARDWARE RESOURCES INC. ANY REPRODUCTION IN PART OR WHOLE WITHOUT WRITTEN PERMISSION OF HARDWARE RESOURCES INC. IS PROHIBITED.

DOCUMENT STATUS **Released**
UNLESS OTHERWISE SPECIFIED DIMENSIONS ARE IN INCHES (IN)

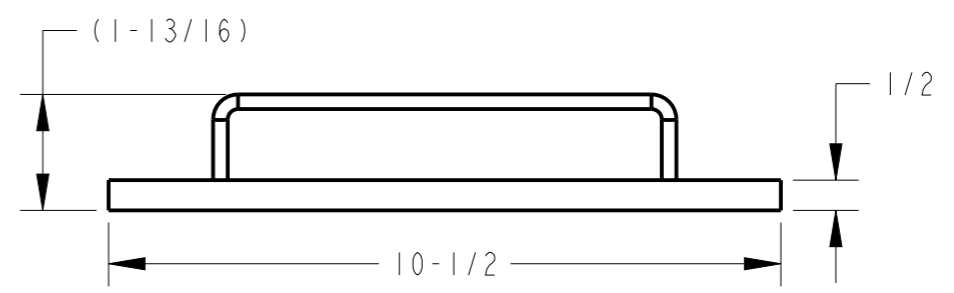
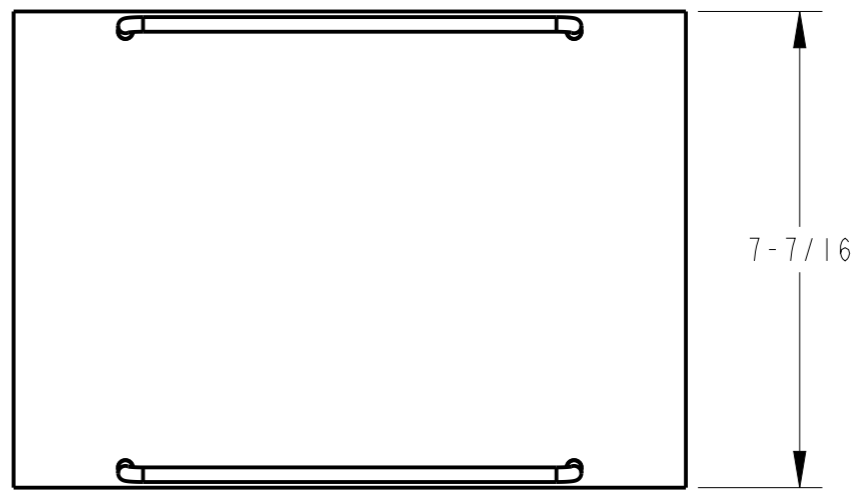
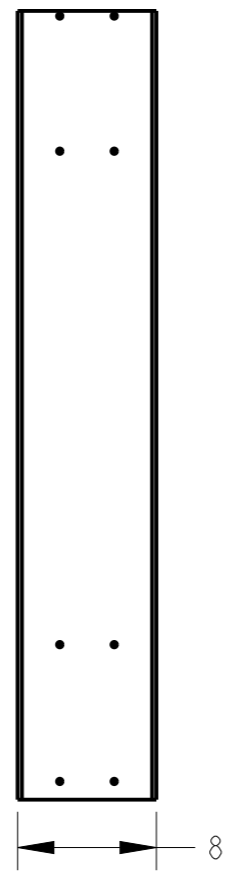
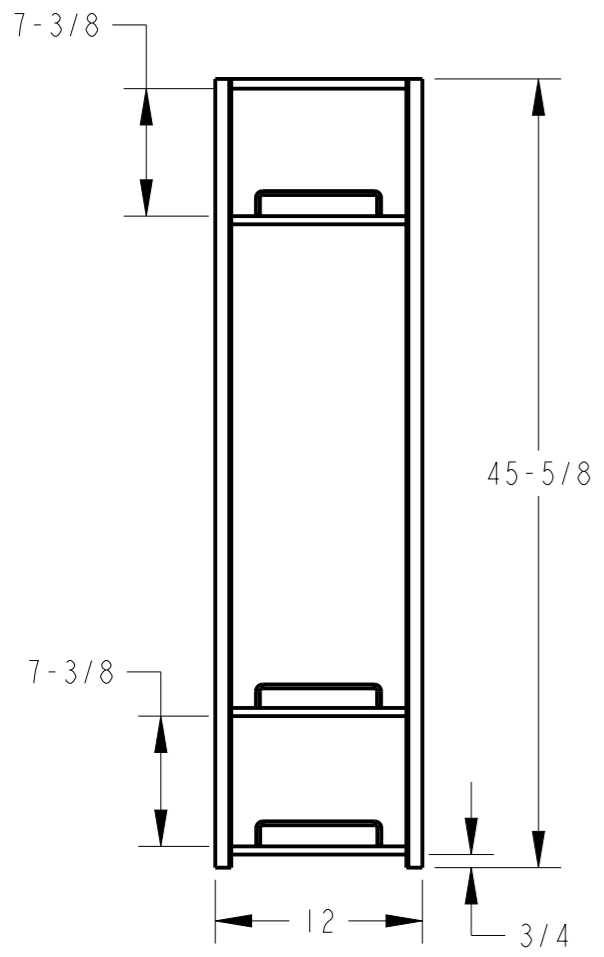
MATERIAL N/A FINISH N/A

THIRD ANGLE PROJECTION DATE 11NOV2022

DESCRIPTION
PANTRY, SWINGOUT

DRAWING NUMBER PS045 REV **A**

SIZE A3 SCALE 0.100 SHEET 1 / 2



PANTRY BOX
SCALE 0.090

REMOVABLE SHELF

DRAWING NUMBER PS045		REV A
SIZE A3	SCALE 0.333	SHEET 2 / 2
DOCUMENT STATUS		Released