

# CRASTER SIDE TABLE

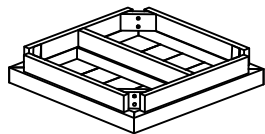
ASSEMBLY INSTRUCTIONS



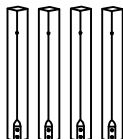
## PARTS AND FITTING PACKAGING DETAIL

### BOX #1

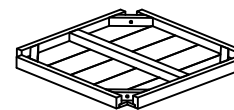
A. TABLE TOP 1PC



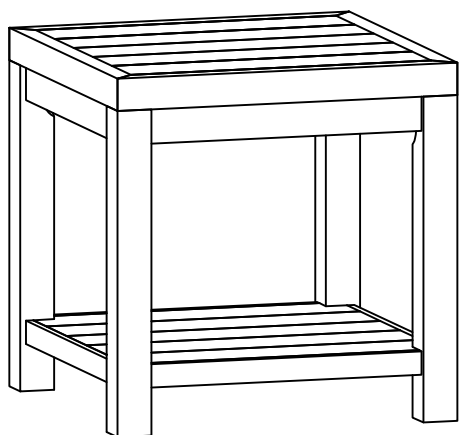
B. LEG 4PCS



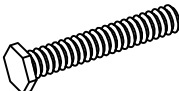



C. SHELF 1PC



### CRASTER SIDE TABLE ASSEMBLED



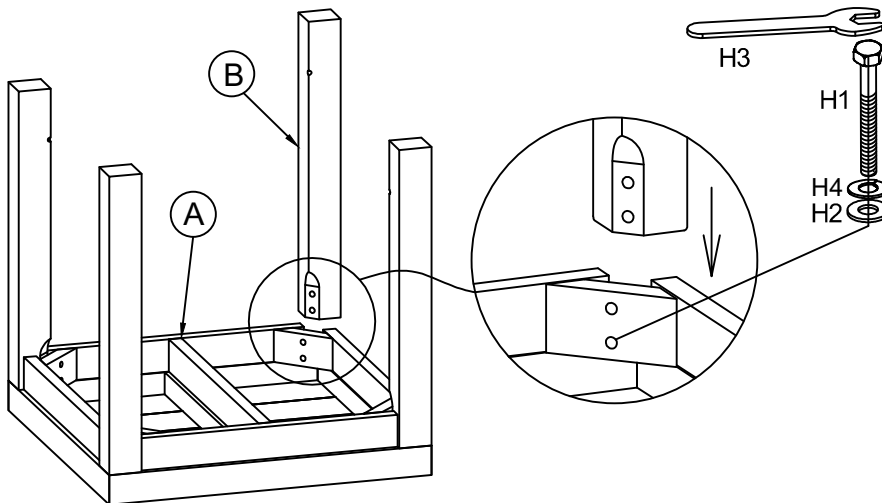
### HARDWARE \* PACKED IN BOX #1

|   |                    |   |    |                   |        |
|---|--------------------|---|----|-------------------|--------|
| H1  | BOLT<br>8 X60mm    | 12 PCS  | H2 | FLAT WASHER<br>M8 | 12 PCS |
|   |                    |  |    |                   |        |
| H3  | HEX WRENCH<br>13mm | 1 PC  | H4 | SPRING WASHER M8  | 12 PCS |
|  |                    |  |    |                   |        |

YOUR BOX MAY CONTAIN EXTRA HARDWARE

### STEP 1

Attach Legs (B) to Table Top (A) using Bolts (H1), Flat Washers (H2), and Spring Washers (H4). Tighten with Hex Wrench (H3).



### STEP 2

Attach Shelf (C) to the Legs using Bolts (H1), Flat Washers (H2), and Spring Washers (H4). Tighten with Hex Wrench (H3).

