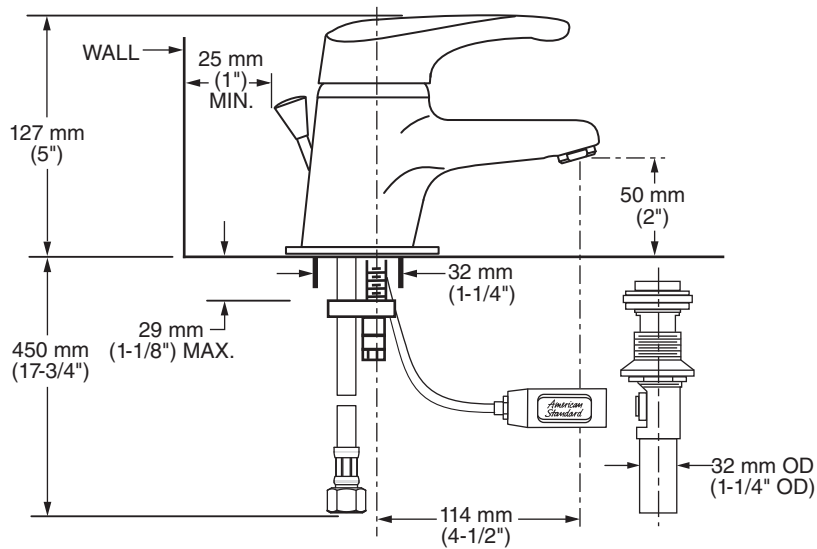


1480.101 Shown

MODEL NUMBER:

- **1480.101 Seva Single Control Centerset**
Metal Speed Connect® pop-up drain.
Escutcheon plate.
- **1480.100 Seva Single Control Centerset**
LESS pop-up drain. LESS pop-up hole.
Escutcheon plate.



GENERAL DESCRIPTION:

Cast brass body and brass escutcheon with all metal handle. Washerless 47 mm ceramic disc valve cartridge with integral hot limit safety stop. Braided flexible supply hoses with 3/8" compression connectors. 20 inch (500 mm) long flexible stainless steel drain cable is pre-assembled to faucet body. Metal Speed Connect® drain body with 1-1/4 inch (32 mm) tail piece. 1.2 gpm/4.5 L/min. maximum flow rate.

PRODUCT FEATURES:

Brass Construction: Durable. Easy to clean. Ideal for prolonged contact with water.

Ceramic Disc Valve Cartridge: Assures a lifetime of drip-free performance.

Adjustable Hot Limit Safety Stop: Limits the amount of hot water allowed to mix with cold. Reduces the risk of accidental scalding.

Exclusive Speed Connect Metal Drain:

- Fewer parts. Installs in less time.
- No adjustments required - seals the first time, every time.
- Flexible stainless steel cable - installs effortlessly in tight spaces.

Lead Free: Faucet contains ≤ 0.25% total lead content by weighted average.

SUGGESTED SPECIFICATION

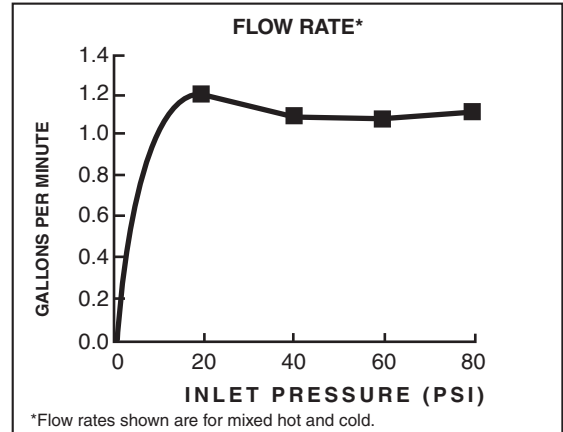
SUGGESTED SPECIFICATION:

Single control lavatory fitting shall feature a cast brass body and escutcheon with all metal handle. Shall also feature washerless ceramic disc valve cartridge with integral hot limit safety stop. Shall also feature a metal drain body with stainless steel cable actuation. Fitting shall be American Standard Model # 1480.____._____.

CODES AND STANDARDS

These products meet or exceed the following codes and standards:

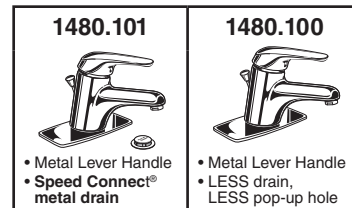
- ANSI A117.1
- ASME A112.18.1
- NSF 61/Section 9 and Annex G



Product Number	Description	Finish Options	
		Polished Chrome	PVD Satin Nickel
		002	295
1480.101	Seva Single Control Centerset. Metal Speed Connect® pop-up drain.		
1480.100	Seva Single Control Centerset. LESS pop-up drain. LESS pop-up hole.		N/A

N/A = Not Available

Meets the American Disabilities Act Guidelines and ANSI A117.1 Requirements for the physically challenged.



AERATOR MODIFICATIONS***		Parts Suffix**	Parts Suffix**
Flow Control Options	Vandal-Resistant — 1.5 gpm/5.7 L/min. PCA* Aerator	__V15	__V15
	Vandal-Resistant — 1.2 gpm/4.5 L/min. PCA* Aerator	__V12	__V12
	Vandal-Resistant — 1.0 gpm/3.8 L/min. PCA* Aerator	__V10	__V10
	Vandal-Resistant — 1.0 gpm (3.8 L/min.) PCA* Aerator	__F10	__F10
	Non-Aerated Vandal-Resistant — 0.5 gpm/1.9 L/min. PCA Spray	__V05	See 1480.150
	0.5 gpm/1.9 L/min PCA Spray	__F05	__F05

*PCA — Pressure Compensating
 To modify a product, add suffix after the 4th digit (ex. 2064F05**101.002)
 ***Modified product models are **NOT** WaterSense certified.