



Project _____
 Item # _____
 Quantity _____

SPECTRUM Electric Countertop Griddles

Models: EGD-16M | EGD-24M | EGD-36M

The SPECTRUM ELECTRIC GRIDDLES have a wide heat range to cook eggs on low heat and burgers on high heat on the half-inch thick polished steel grill surface. The independent controlled heat zones even allow for more versatility. Minimize grease splatters with an extra-tall steel wall enclosure and backsplash.

Standard Features

- ◆ Solid 1/2" thick polished steel plate for fast heat up and high heat retention
- ◆ Heavy gauge stainless steel body, and sloped side & 3" backsplash
- ◆ Large volume removable grease drawer with weep hole and baffle
- ◆ Heavy duty, stainless steel adjustable legs for stability
- ◆ Compatible for 1-phase or 3-phase operation (field convertible EGD-24M & EGD-36M)
- ◆ 3-1/4" full width grease trough
- ◆ EGD-16M: One (1) thermostatically controlled heat zone
- ◆ EGD-24M: Two (2) thermostatically controlled heat zones
- ◆ EGD-36M: Three (3) thermostatically controlled heat zones
- ◆ One year parts and labor warranty



EGD-16M
110/125V AC

EGD-24M
208/240V AC
1Ø/3Ø



EGD-36M
208/240V AC
1Ø/3Ø



Parts

EGD-MP6 Knob

Options & Accessories

SCRP-14	16" Heavy-duty Aluminum Grill Scraper
SCRP-16	16" Aluminum Grill Scraper
SCRP-12	12" Aluminum Grill Scraper
GSH-1	Griddle Screen Holder
GSN-4	Grill Screen, fits with GSH-1
GBH-2	Griddle Brick Holder
GBK-348	Grill Brick, fits with GBH-2
EGD-M19	NEMA 5-20P Cord/Plug (Canada)

For California Customers
 ⚠ **WARNING:** Cancer and Reproductive Harm - www.P65Warnings.ca.gov

Winco®

www.winco.us.com

New Jersey Headquarters & Distribution Center
 65 Industrial Road, Lodi, NJ 07644
 Phone: 1-888-946-2682 | Fax: 1-973-916-9959

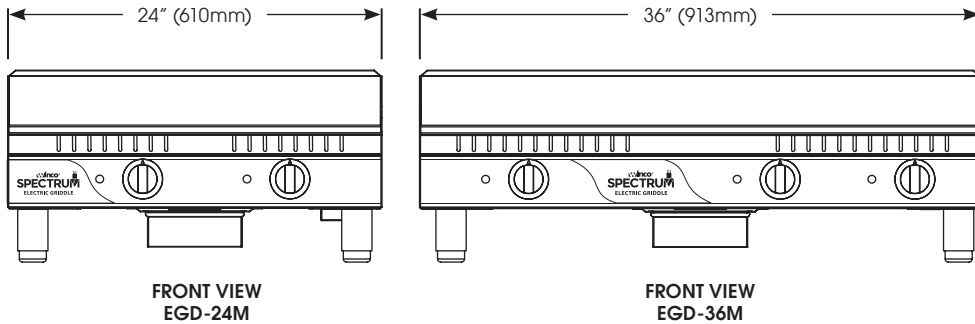
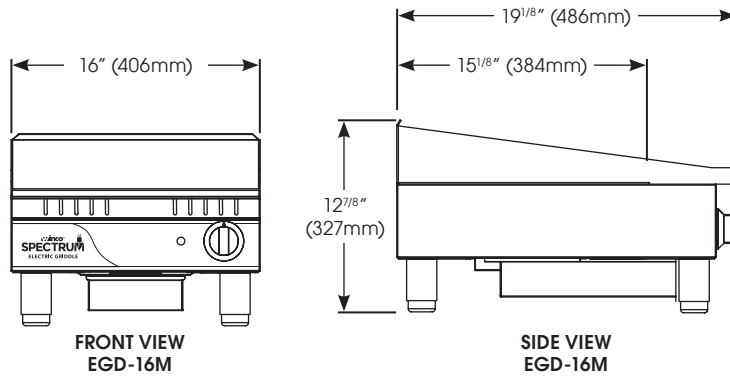
Florida Showroom & Distribution Center
 10800 NW 103rd St. Bldg 22, Ste 11, Miami, FL 33178
 Phone: 1-888-946-2682 | Fax: 1-973-916-9959

Nevada Distribution Center
 3777 Marion Drive, Las Vegas, NV 89115
 Phone: 1-888-946-2682 | Fax: 1-973-916-9959



Electric Countertop Griddles

Models: EGD-16M | EGD-24M | EGD-36M



MODEL	DESCRIPTION	OVERALL DIMENSIONS			VOLTS	HZ	WATTS	AMPS	PLUG	SHIP WEIGHT
		LENGTH	DEPTH	HEIGHT						
EGD-16M*	16" Griddle with Plug	16" (406mm)	19-1/8" (486mm)	12-7/8" (327mm)	120V	50/60 Hz	1750W	14.6A	NEMA 5-15P	53 lbs (24 kgs)
									NEMA 5-20P (Canada)	
EGD-24M**	24" Griddle with Plug	24" (610mm)	21-3/4" (551mm)	12-7/8" (327mm)	208/240V	50/60 Hz	4200/5600W	20.2/23.4A 1-phase	NEMA L6-30P	116.8 lbs (53 kg)
EGD-36M**	36" Griddle	36" (913mm)	21-3/4" (551mm)	12-7/8" (327mm)					30.29/35A 1-phase	

*Note: Cooking surface depth 15-1/8"(384mm) **Note: Cooking surface depth 16-1/2"(419mm)

Cord Location (EGD-16M & EGD-24M)

Right side rear of unit

Terminal Block Location (EGD-36M)

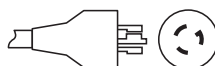
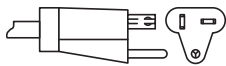
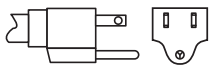
Access through right side rear of unit

Plug Configurations

NEMA 5-15P

NEMA 5-20P

NEMA L6-30P



EGD-16M

EGD-16M

EGD-24M

Part#: EGD-MP19
for Canada

Product Specs

Electric Countertop Griddles

The Electric Countertop Griddles models EGD-16M, EGD-24M and EGD-36M as manufactured by Winco®, Lodi, NJ 07644.

The Electric Countertop Griddle EGD-16M shall be rated at 1750 Watts, 120V-50/60Hz and supplied with a NEMA 5-15P plug or a NEMA 5-20P (Canada) with one (1) thermostatically controlled heat zone. The Electric Countertop Griddle EGD-24M shall be rated at 4200/5600 Watts, 208/240V-60Hz/1 and supplied with a NEMA L6-30P plug with two (2) thermostatically controlled heat zones. The Electric Countertop Griddle EGD-36M shall be rated at 6300/8400 Watts, 208/240V-60Hz/1 and must be field-wired and has three (3) thermostatically controlled heat zones. The EGD-24M and EGD-36M are field convertible to 3-phase operation.

Units shall be equipped with solid 1/2" thick polished steel plate, stainless steel body, 3" backsplash and large volume removable grease drawer with weep hole and baffle, 3-1/4" full width grease trough, and heavy-duty adjustable legs for stability.

Warranty consists of one year parts and labor.

Winco®

www.winco.us.com

New Jersey Headquarters & Distribution Center
65 Industrial Road, Lodi, NJ 07644
Phone: 1-888-946-2682 | Fax: 1-973-916-9959

Florida Showroom & Distribution Center
10800 NW 103rd St. Bldg 22, Ste 11, Miami, FL 33178
Phone: 1-888-946-2682 | Fax: 1-973-916-9959

Nevada Distribution Center
3777 Marion Drive, Las Vegas, NV 89115
Phone: 1-888-946-2682 | Fax: 1-973-916-9959