



HOOKER
— FURNITURE —

ASSEMBLY INSTRUCTION

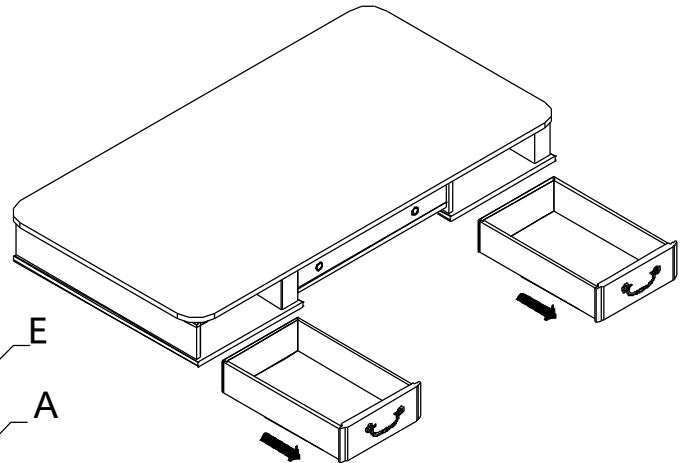
Item: 5323-10459 Writing Desk 64 in KD

Thank you for purchasing this quality product. Be sure to unpack carefully looking for small parts which may have come loose during shipment.

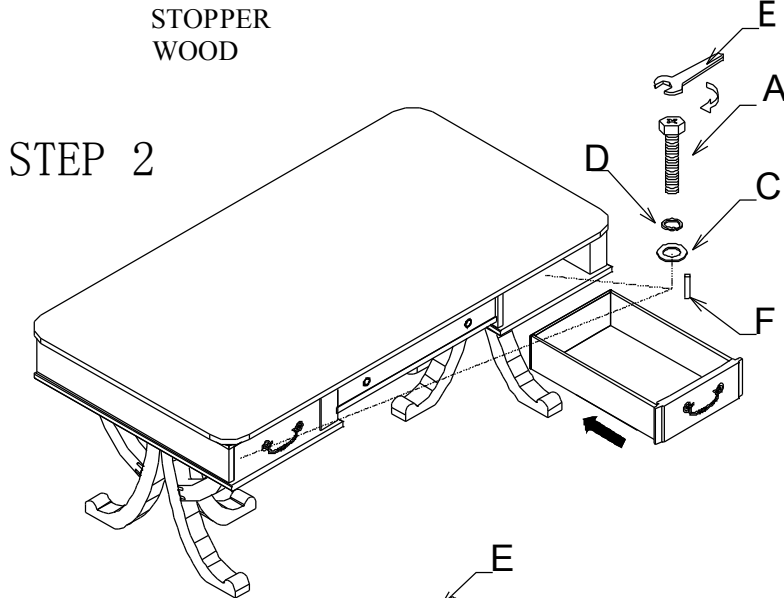
Read all instruction and study the drawing carefully before starting the assembly process:

HARDWARE PACK

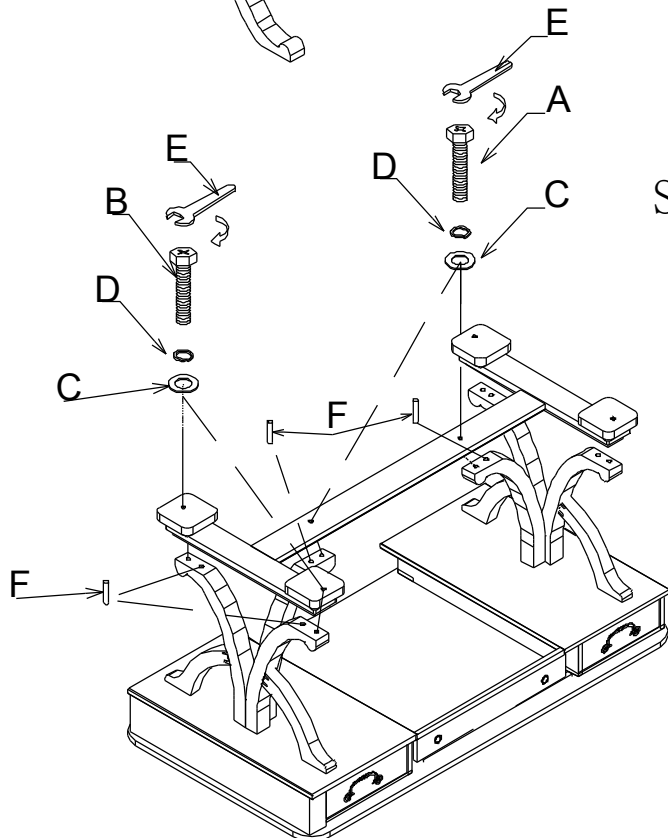
NO	DRAWING	DESCRIPTION	SIZE	Q'ty
A		BOLT	Φ 5/16" × 1-3/4"	12pcs
B		BOLT	Φ 5/16" × 2-1/2"	4pcs
C		Flat Washer	Φ 5/16*Φ 19*2"	16pcs
D		Lock Washer	Φ 5/16*Φ 12*3"	16pcs
E		Wrench	12mm	1pc
F		Stopper Wood	Ø10*40mm	10pc



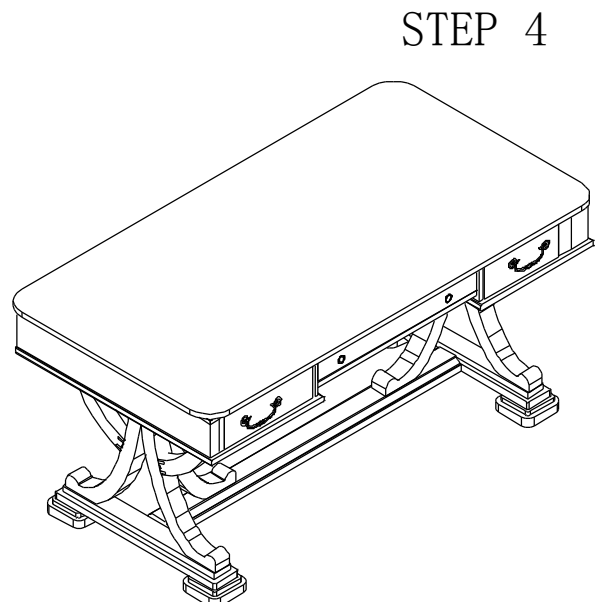
STEP 1



STEP 2



STEP 3



STEP 4