

Instruction Manual

HDBaseT Receiver

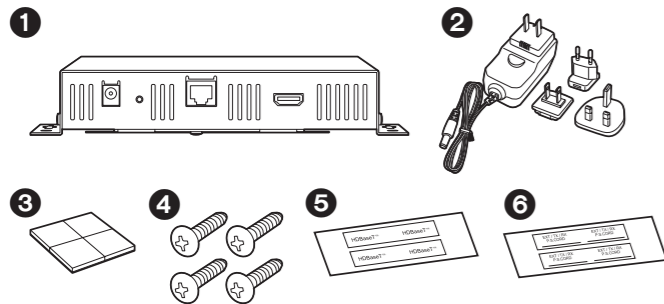
En

HDB-RX1

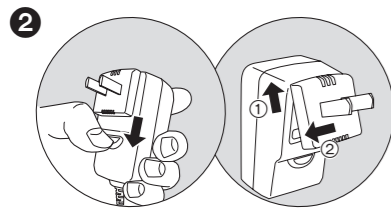


* 2 9 3 5 5 9 9 8 *

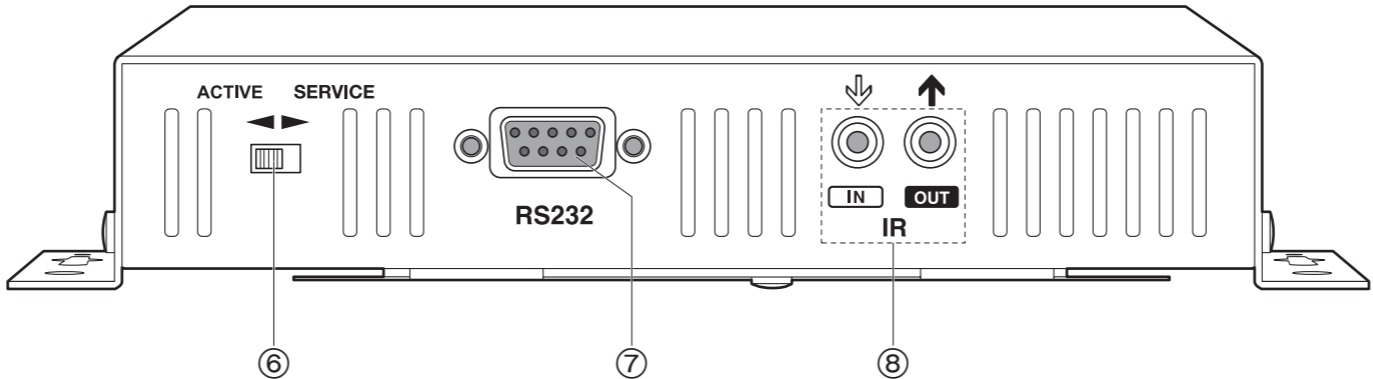
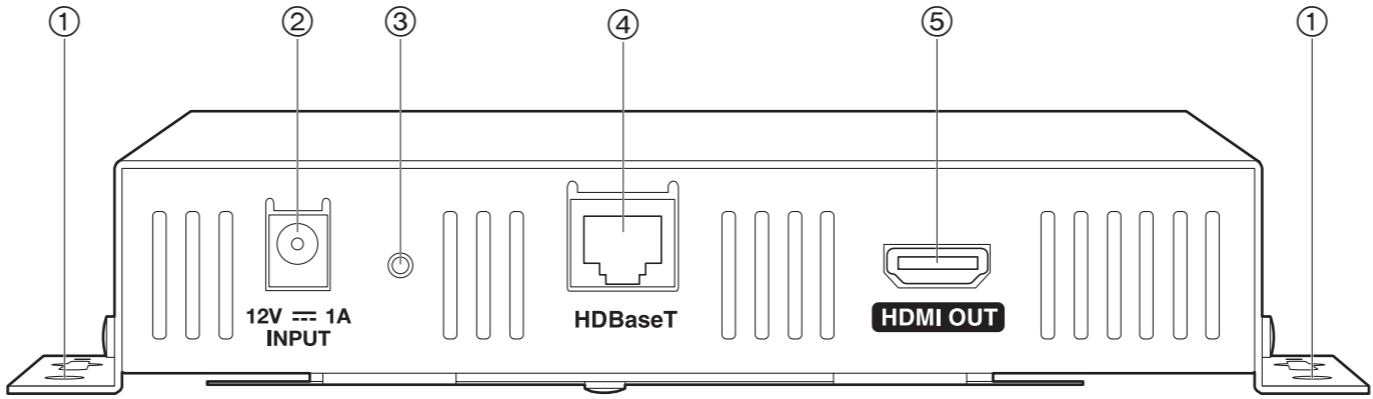
What's in the Box



- 1 Main unit (1)
 - 2 AC adaptor (1)
 - 3 Cushions (4)
 - 4 Screws for wall attachment (4)
 - 5 Label for HDBaseT™ cable (2)
 - 6 Label for AC adaptor cord (2)
- Instruction Manual (this document)



Part Names



- 1 Screw hole for wall attachment: Fix with the supplied screw for wall attachment when installing on a wall.
- 2 12V 1A INPUT jack: When connecting to a device that does not support Power over Cable (PoC, refer to the back cover), connect the supplied AC adaptor.
- 3 Power indicator: Lights when the power of this unit is on.
- 4 HDBaseT jack: Use an Ethernet cable to connect to the HDBaseT™ OUT jack on one of our AV receivers to receive video signals, audio signals, control signals, etc.
 - As they are covered with a seal when shipped, remove it when you use the jack.
 - Use one of the following Ethernet cables to connect.
 - When using Power over Cable (PoC, refer to the back cover)
 - Cat6 (Category 6) cable: AWG23 cable or better, 50 m or less in length
 - Cat5e (Category 5e) cable: AWG24 cable or better, 45 m or less in length
 - When not using Power over Cable (PoC, refer to the back cover)
 - Cat6 (Category 6) cable: AWG23 cable or better, 100 m or less in length
 - Cat5e (Category 5e) cable: AWG24 cable or better, 90 m or less in length
 - It is recommended to use shielded single Ethernet cable.
 - Do not connect this port to the Ethernet ports of network devices.
- 5 HDMI OUT jack: Transmit video signals and audio signals with a HDMI cable connected to a monitor such as a TV or projector.
- 6 ACTIVE/SERVICE switch: Use in the "ACTIVE" position. ("SERVICE" is for servicing)
- 7 RS232 port: Used when connecting to a home control system.
 - Use a straight cable.
- 8 IR IN/OUT jacks: Used when connecting to a multiroom remote control kit.
 - Refer to the instruction manual of the IR receiver for the types of cables required for connection.



The terms HDMI and HDMI High-Definition Multimedia Interface, and the HDMI Logo are trademarks or registered trademarks of HDMI Licensing LLC in the United States and other countries.



HDBaseT™ and the HDBaseT Alliance logo are trademarks of the HDBaseT Alliance.

All other trademarks are the property of their respective owners.

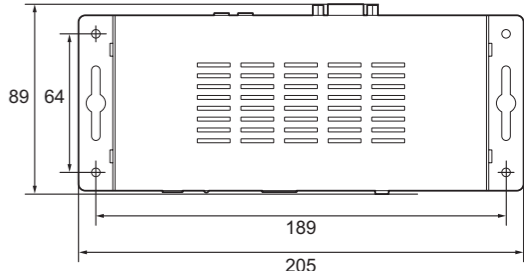
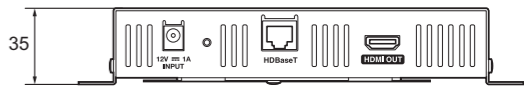
- **HDMI**
Supported
Deep Color, x.v.Color™, LipSync, 3D, 4K 60 Hz, Extended Colorimetry (sYCC601, Adobe RGB, Adobe YCC601), Content Type, HDR
- HDCP
Revision 1.4, 2.2
Maximum Video Resolution
4k 60 Hz (YCbCr 4:4:4)

- **Output jacks**
HDMI OUT : 1

- **Other jacks**
HDBaseT IN : 1
RS232 : 1 (Path through)
IR IN : 1 (Path through)
IR OUT : 1 (Path through)

- **General**
Power Supply
AC 100 - 240 V, 50/60 Hz
Power Consumption
11.2 W (AC adaptor)
Dimensions (W × H × D)
205 mm × 35 mm × 89 mm
8-1/16" × 1-3/8" × 3-1/2"
- Weight
0.45 kg (1 lb)

- Specifications and features are subject to change without notice.
- We will not accept responsibility for damage arising from the connection of equipment manufactured by other companies.



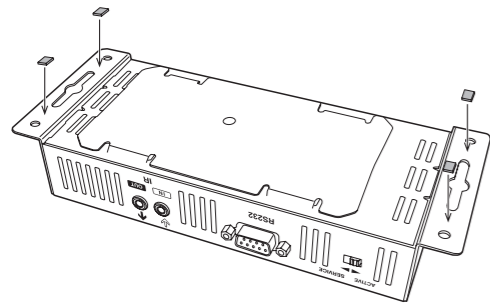
Unit : mm

Installation & Basic Connections

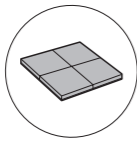
- Use an Ethernet cable to connect the HDBaseT™ OUT jack on one of the following of our AV receivers to the HDBaseT jack on this unit to transfer video, audio, and control signals. (DRX-4/DRX-5/DRX-7/DRX-R1/DRC-R1/DRX-7.1/DRX-R1.1/DRC-R1.1, and models supporting HDBaseT™ OUT sold in 2018 and thereafter)
- When using one of our AV receivers that supports Power over Cable (PoC), it is also possible to supply this unit with power over the Ethernet cable.

■ When installing on the floor

When installing on the floor, use the supplied cushions to help prevent damage to the floor.

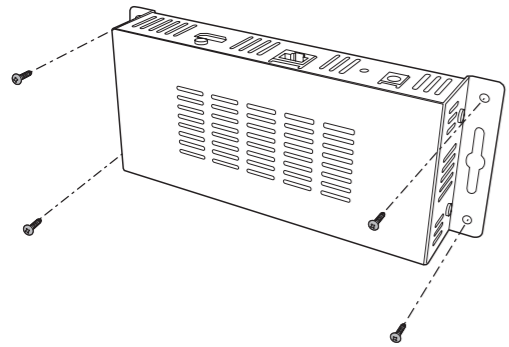


Cushions

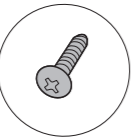


■ When installing on a wall

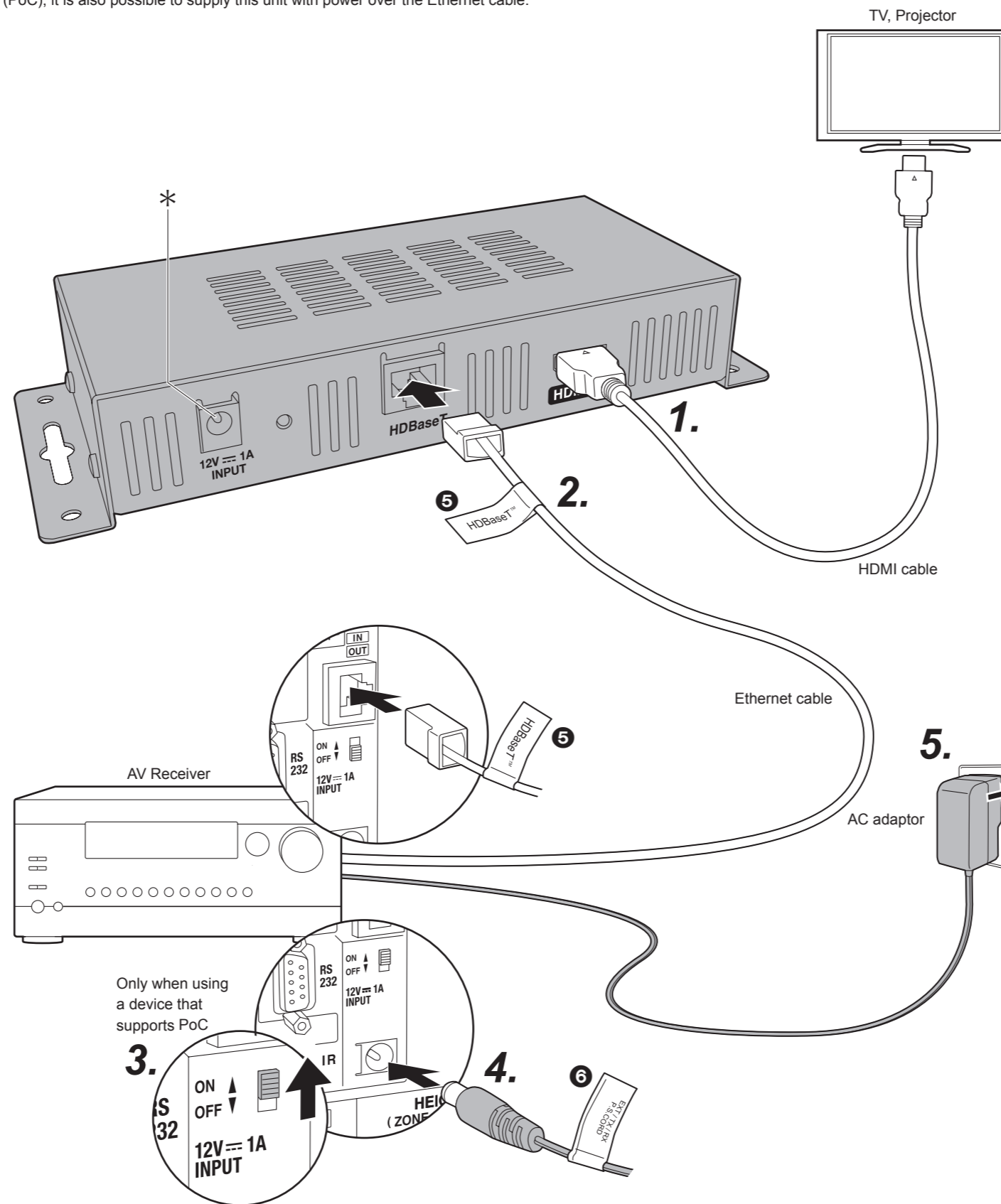
Fix this unit with the supplied screws for wall attachment when installing on a wall.



Screws for wall attachment



- Do not attach to the ceiling.
- After attaching, check that the fitting is secure. We accept no responsibility for damage or injury that arises due to incorrect attachment.



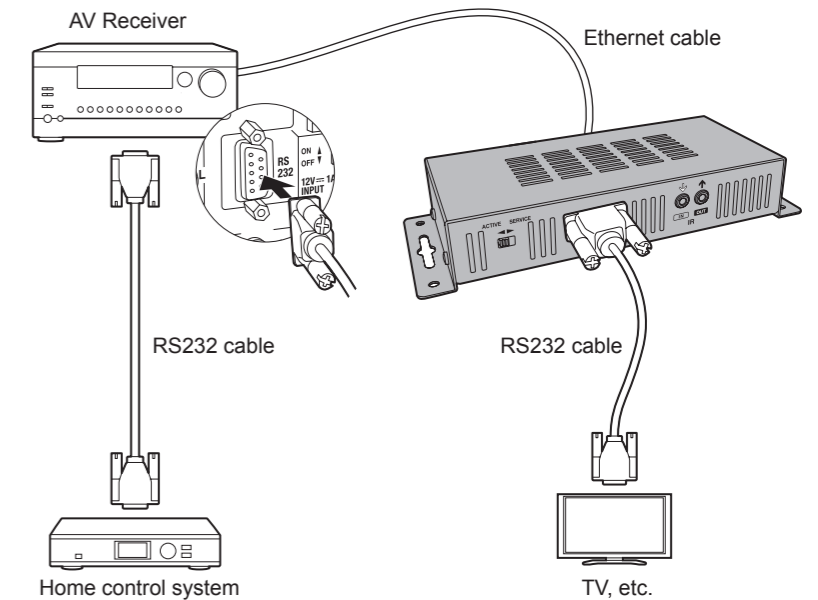
1. Connect this unit to a monitor such as a TV or projector using an HDMI cable.
2. Connect this unit to one of our AV receivers using an Ethernet cable.
3. Set the ON/OFF switch on the rear of the AV receiver to ON.
- 4, 5. Connect the AC adaptor.

* If a device that does not support Power over Cable (PoC) is connected, connect the AC adaptor to the 12V 1A INPUT jack on the rear of the unit.

Other Connections

■ RS232 Connections

This is an example of connecting to a home control system with an RS232 cable. Also read the instruction manual supplied with the connected device.



■ IR Connections

This is an example of connection to an IR receiver. Also read the instruction manual supplied with the connected device.

