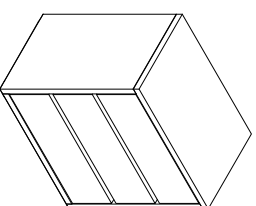


PARTS LIST / LISTE DES PIÈCES / LISTA DE PIEZAS
ITEM NO. / ARTICLE NO. / ARTICULO NO : D375-001/002/003
DESCRIPTION / LA DESCRIPTION / DESCRIPCIÓN : NIGHTSTAND / TABLE DE CHEVET / MESA DE NOCHE

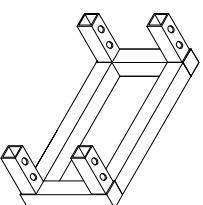


WARNING
<p>Serious or fatal crushing injuries can occur from furniture tip-over. To help prevent tip-over:</p> <ul style="list-style-type: none"> • Install tipover resistant provided. • Place heavier items in the lowest drawers. • Do not open more than one drawer at a time. • Never allow children to climb or hang on drawers, doors, or shelves. • Do not defeat or remove the drawer interlock system. <p>Use of tip-over restraints may only reduce, but not eliminate, the risk of tip-over.</p> <p><i>This is a permanent label. Do not remove!</i></p>



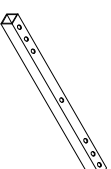
A

- x1 Nightstand *
- x1 Table de chevet
- x1 Mesa de noche



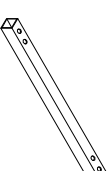
B

- x2 Left & Right Legs *
- x2 Patte de gauche & droite
- x2 Pata Izquierda & derecha



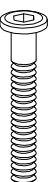
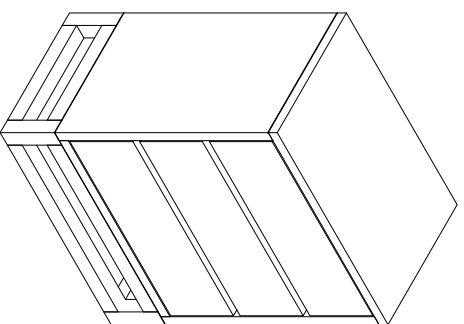
C

- x2 Support legs 1 *
- x2 Pieds 1
- x2 Patas de soporte 1



D

- x2 Support legs 2 *
- x2 Pieds 2
- x2 Patas de soporte 2



1

- x8 Allen bolt Ø1/4"x35mm *
- x8 Vis à tête creuse hexagonale Ø1/4"x35mm
- x8 Perno Allen Ø1/4"x35mm



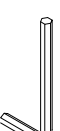
2

- x8 Lock washer Ø1/4" *
- x8 Rondelle de blocage Ø1/4"
- x8 Arandela de Seguridad Ø1/4"



3

- x8 Flat Washer Ø1/4"x19x1.5mm *
- x8 Rondelle plate Ø1/4"x19x1.5mm
- x8 Arandela plana Ø1/4"x19x1.5mm



4

- x1 Allen Key 4mm *
- x1 Clé hexagonale 4mm
- x1 Llave Allen 4mm

5

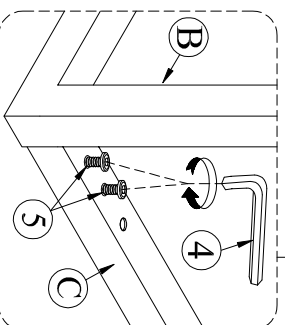
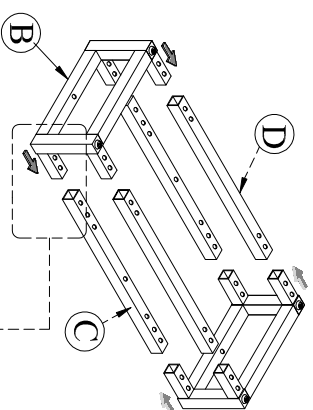
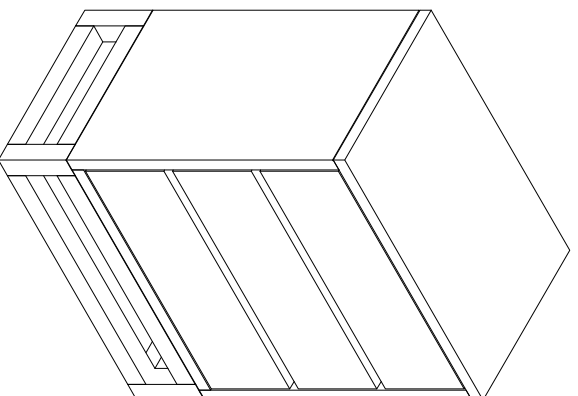
- x16 Allen bolt Ø1/4"x15mm
- x16 Vis à tête creuse hexagonale Ø1/4"x15mm
- x16 Perno Allen Ø1/4"x15mm

*Replaceable Part

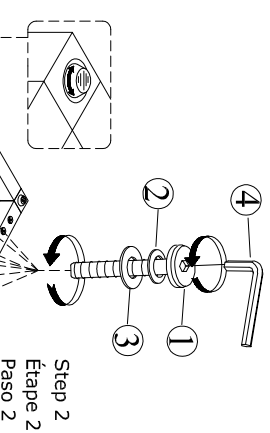
ASSEMBLY INSTRUCTIONS / INSTRUCCIONS D'ASSEMBLAGE / INSTRUCCIONES PARA EL ENSAMBLAJE
ITEM NO. / ARTICLE NO. / ARTICULO NO : D375-001/002/003
DESCRIPTION / LA DESCRIPTION / DESCRIPCION : NIGHTSTAND / TABLE DE CHEVET / MESA DE NOCHE



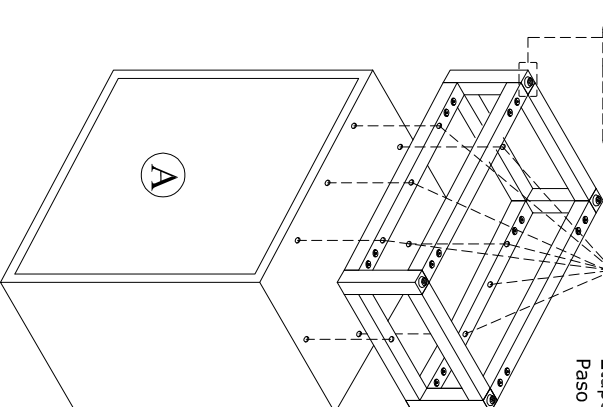
⚠ WARNING	<p>Serious or fatal crushing injuries can occur from furniture tip-over. To help prevent tip-over:</p> <ul style="list-style-type: none"> • Install tipover restraint provided. • Place heavier items in the lowest drawers. • Do not allow children to climb on top of this product, unless the product is specifically designed to accommodate them. • Never allow children to climb or hang on drawers, doors, or shelves. • Never open more than one drawer at a time. • Do not defeat or remove the drawer interlock system. <p>Use of tip-over restraints may only reduce, but not eliminate, the risk of tip-over.</p> <p><i>This is a permanent label. Do not remove!</i></p>



Step 1
Étape 1
Paso 1



Step 2
Étape 2
Paso 2



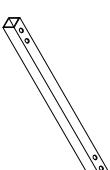
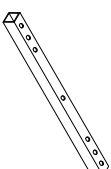
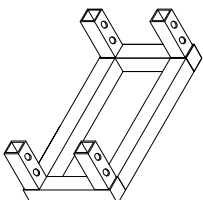
*Replaceable Part

REPLACEABLE PART / PARTIE REMPLACABLE / PARTE REEMPLAZABLE

ITEM NO. / ARTICLE NO. / ARTICULO NO : D375-001/002/003

DESCRIPTION / LA DESCRIPTION / DESCRIPCION : NIGHTSTAND / TABLE DE CHEVET / MESA DE NOCHE

⚠ WARNING	
Serious or fatal crushing injuries can occur from furniture tip-over. To help prevent tip-over:	
<ul style="list-style-type: none"> • Install tipover restraint provided. • Place heaviest items in the lowest drawers. • Do not overfill drawers with items not specifically designed to accommodate them. • Never allow children to climb or hang on drawers, doors, or shelves. • Never open more than one drawer at a time. • Do not defeat or remove the drawer interlock system. 	
Use of tip-over restraints may only reduce, but not eliminate, the risk of tip-over.	
<small>This is a permanent label. Do not remove!</small>	



x6 RDS-D375-001/002/003-LEGS *
Left & Right Legs
Patte de gauche & droite
Pata izquierda & derecha

x6 RDS-D375-001/002/003-SUP1 *
Support legs 1
Pieds 1
Patas de soporte 1

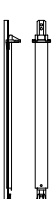
x6 RDS-D375-001/002/003-SUP2 *
Support legs 2
Pieds 2
Patas de soporte 2



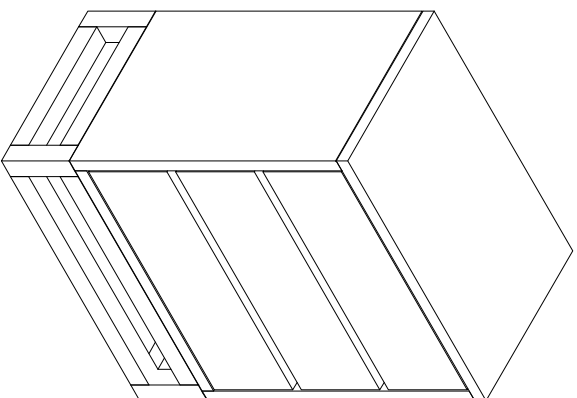
x12 RC-BL-LEVELER-Black Adjustable leveler *
Patin réglable
Nivelador ajustable



x3 RDS-D375-001/002/003-HWKIT *
Hardware kit list
Liste des pièces de quincaillerie
Lista del kit de materiales



x9 COMGLIDE-KENLIN-12-45-Drawer Glide *
Glissière
Carril de deslizamiento



*Replaceable Part