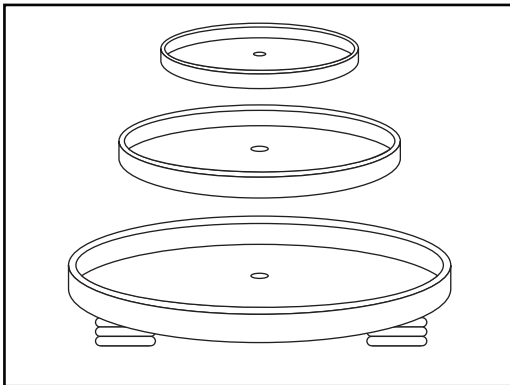
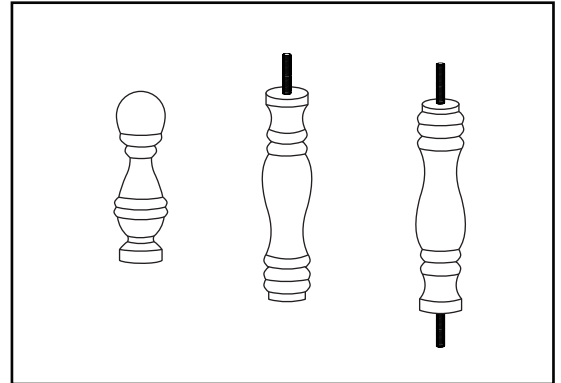


# ASSEMBLY INSTRUCTION

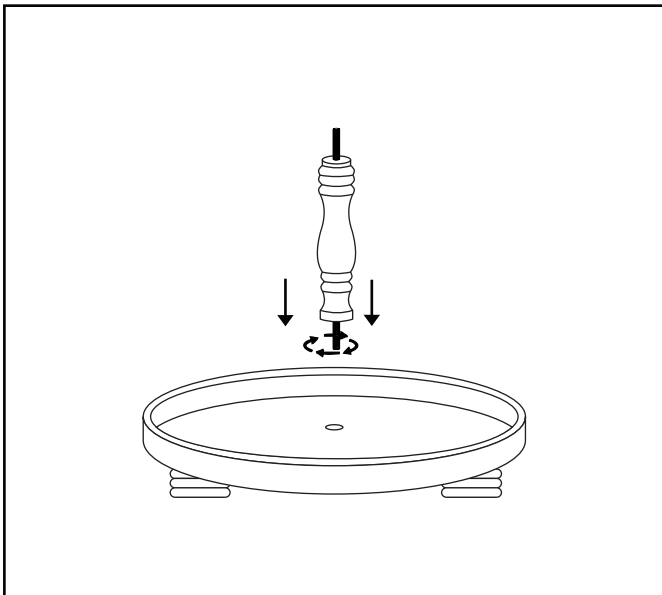
## DOWNING 3 TIER TRAY



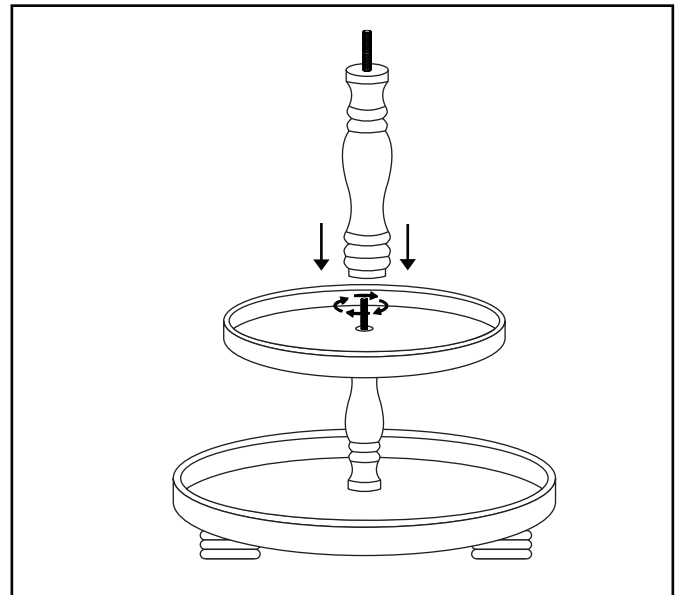
2. 1 PC LARGE WOOD TRAY  
1 PC MEDIUM WOOD TRAY  
1 PC SMALL WOOD TRAY



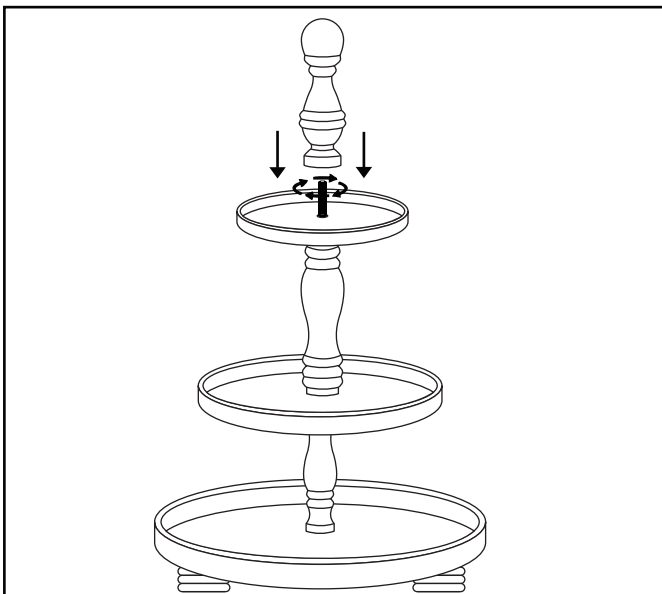
3. 3 PCS WOOD POLE



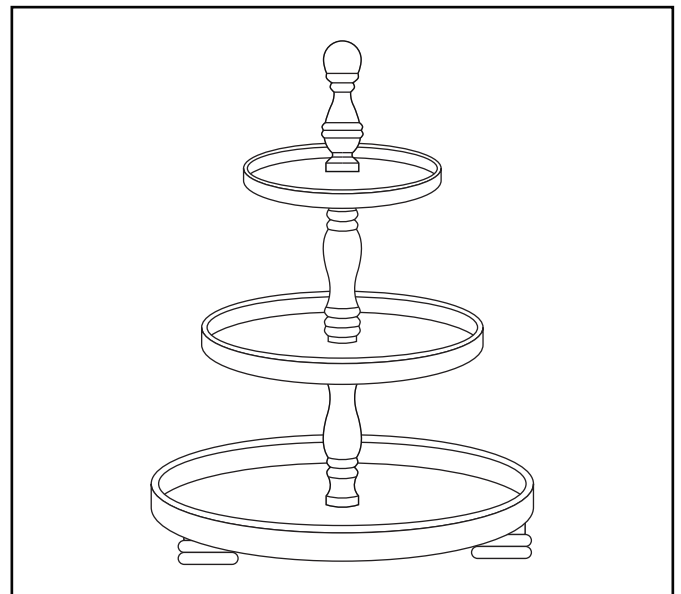
**STEP-1**



**STEP-2**



**STEP-3**



**ASSEMBLED**