



Purchase Date: ___ / ___ / ___ Order/Customer Reference Number: _____

Thank you for choosing Sunnydaze Decor. We stand behind our brand and the quality of the items we sell. Replacement parts or products will be sent at our discretion within the 1-year warranty period. Proof of purchase, with the date of purchase as well as photos of the merchandise defect, must be provided. Photos are used to determine the cause of defects and for future quality control. Register your warranty at <https://tiny.cc/SunnydazeWarranty>
If you have any questions, comments or concerns, feel free to contact us by phone at 833-982-1977, by email: customerservice@sunnydazedecor.com, or via our contact us page at <https://tiny.cc/SunnydazeContact>

TANNENBAUM GLORY PRE-LIT ARTIFICIAL CHRISTMAS TREE

IMPORTANT SAFETY INSTRUCTIONS

WHEN USING ELECTRICAL PRODUCTS, BASIC PRECAUTIONS SHOULD ALWAYS BE FOLLOWED, INCLUDING THE FOLLOWING:

1. READ AND FOLLOW ALL SAFETY INSTRUCTIONS

2. For indoor use only. This product is not suited for outdoor applications.
3. Connect this product to a Ground Fault Circuit Interrupting (GFCI) outlet. If one is not available, contact a qualified electrician for proper installation.
4. This product is not intended for permanent installation or use.
5. Do not place near gas or electric heaters, fireplaces, candles, or other similar sources of heat.
6. Do not secure product wiring with staples or nails or place on sharp hooks or nails.
7. Do not let lamps rest on the supply cord or on any wire.
8. Unplug the product when leaving the house, when retiring for the night, or if left unattended.
9. This is an electrical product - not a toy! To avoid the risk of fire, burns, personal injury, and electric shock, it should not be played with or placed where small children can reach it.
10. Do not use this product for anything other than its intended purpose.
11. Do not hang ornaments or other objects from cord, wire, or light string.
12. Do not cover the product with a cloth, paper, or any material not part of the product when in use.
13. Do not close doors or windows on the power cord, as this may damage the wire insulation.
14. Never operate this product if the power cord, light wires or plug is damaged.
15. Read and follow all instructions that are on the product or provided with the product.

SAVE THESE INSTRUCTIONS

GENERAL USE & CARE

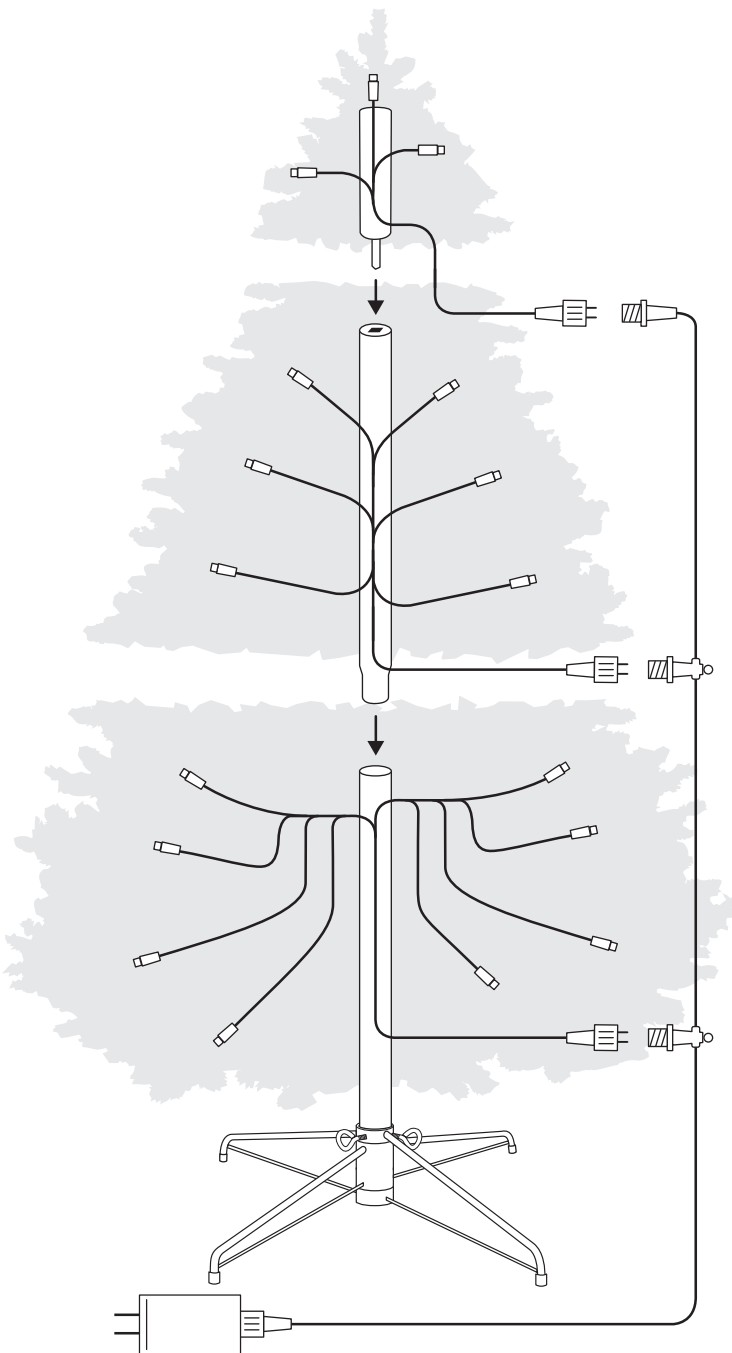
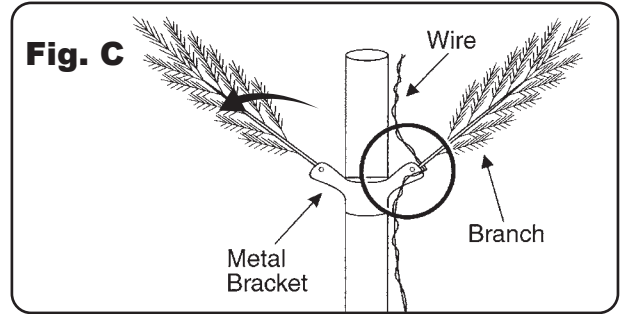
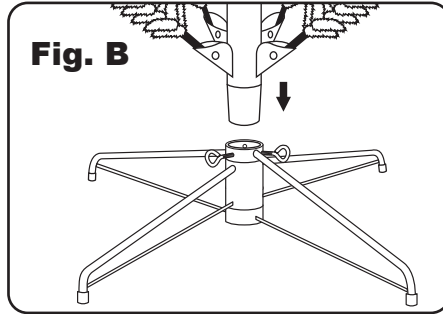
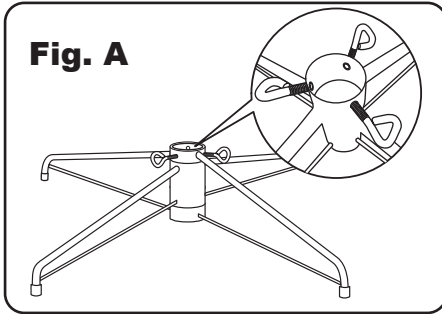
1. Do not use seasonal products outdoors unless marked suitable for indoor and outdoor use. This item is designed for indoor use only.
2. Before using or reusing, inspect the unit carefully. Discard any products that have cut, damaged, or frayed wire insulation or cords, cracks in the lamp holders or enclosures, loose connections, or exposed copper wire.
3. To reduce the risk of fire or electric shock, do not attempt to replace lamps or modify the string.
4. To reduce the risk of fire and electric shock a) do not mount or support light strings or power cables in a manner that can cut or damage wire insulation and b) do not hang decorations from the light strings or power cables.
5. When storing the product, take extra care to avoid any undue strain or stress on the product conductors, connections, and wires. See *Storage*, page 3.



ASSEMBLY

●●●●● HELPFUL TIPS ●●●●●

Assemble and shape the tree in the location it will be displayed, near a properly grounded GFCI outlet.
It is easiest to shape one section at a time as the tree is assembled.
Simply shape each section before installing the next section.

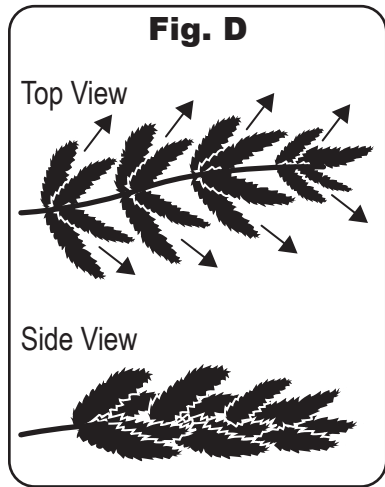


1. Unfold the legs of the stand, so they are X-shaped. Thread the eye bolt into the stand until the end of the thread on the eye bolt is flush with the inside of the stand. (Fig. A)
2. Insert the bottom section into the stand. Ensure the pole is fully inserted into the stand and the pole is straight. Evenly tighten the eye bolts until the tree bottom is firmly secured. (Fig. B)
3. Gently lower the branches into place. If branches do not automatically fall, gently pull up and out. When adjusting branches, be sure that all wires are free of branch hinges. (Fig. C)
4. Shape the bottom section. See *Shaping*, page 3.
5. If your tree does not have a middle section, skip to Step 7.
6. Insert the middle section into the bottom section. Shape the branches and tips.
7. Insert the tree top into the previous section. Shape the branches and tips.
8. Starting close to the top, run the power cable down through the inside of the tree, near the center pole.
9. Firmly connect the light cables on each tree section to the power cord.
10. Plug the transformer into a properly grounded GFCI outlet.

⚠ WARNING: Risk of Fire: Do not use any transformer other than the one provided with the product.

SHAPING

The fullness of your tree will depend upon the amount of time spent shaping it. Most artificial trees take approximately 45 minutes to 1 hour of shaping to achieve a more realistic appearance. While this may seem like a long time, it is the way to perfect your tree's appearance and replicate the styling seen in photos.



"Fluff" the branches of each section from the bottom to the top. Starting at the bottom makes the branches easier to access, so you don't miss tips that might be tucked tightly on a branch.

Start with tips closest to the pole. Gently pull the individual tips upward and outward in a staggered pattern; one to the right, one to the left, one to the center. Stagger the tips, so they offset from the previous tips. (Fig. D)

On the front of the branch, look for sprigs that shoot out from the main branch and gently separate those from the main branch, so it looks as full as possible. Then continue spreading each tip, so you get layers of foliage, similar to the look of a real tree.

Curling some of the tips slightly upward is recommended to give the best support for hanging decorations.

Fluff and shape the shoots on the top section in a smooth slope, as it would look on a real evergreen tree.

After shaping the entire tree, you may need to shift branches and reshape some tips to help fill gaps. Remember, decorations will also help fill slight gaps.

STORAGE

1. Remove all decorations.
2. Disconnect the light cable from each section of the tree.
3. Starting with the top section, disassemble the tree from top to bottom. Gently lift straight upward to remove each section. Carefully fold all branches toward the pole, ensuring the light wires do not get pinched in the hinges.
4. Store in a cool, dry place away from sunlight. Please note, exposure to excessive heat or humidity may damage the tree and/or lighting.

TROUBLESHOOTING

⚠ CAUTION: Unplug the unit while performing troubleshooting tips.

One or two sections do not light up.

Locate the light cable on the section that is not illuminated. Make sure the light cable is firmly connected to the power cord.

Inspect the light wires to ensure they were not cut or damaged during assembly. Do not use if damaged.

The entire tree does not light up after it is plugged in.

Ensure the transformer is firmly connected to the power cord.

Make sure all the light cables are firmly connected to the power cord.

Inspect the light wires to ensure they were not cut or damaged during assembly. Do not use if damaged.

Any modification to the product or failure to follow recommended care will void the product warranty.

⚠ WARNING!

Manufacturer and seller expressly disclaim any and all liability from personal injury, property damage or loss, whether direct or indirect, or incidental, resulting from the incorrect attachment, improper use, inadequate maintenance, or neglect of this product.