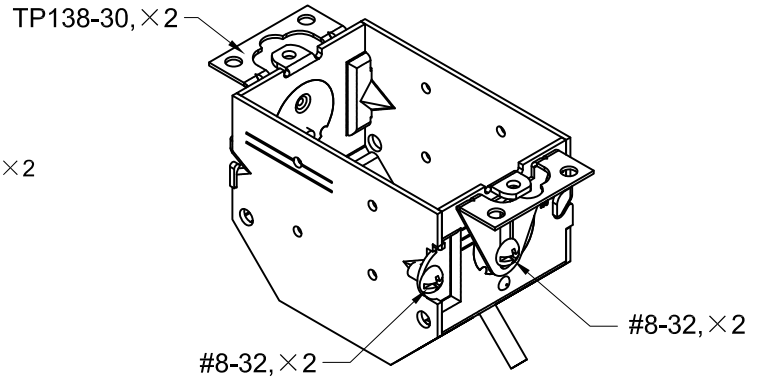
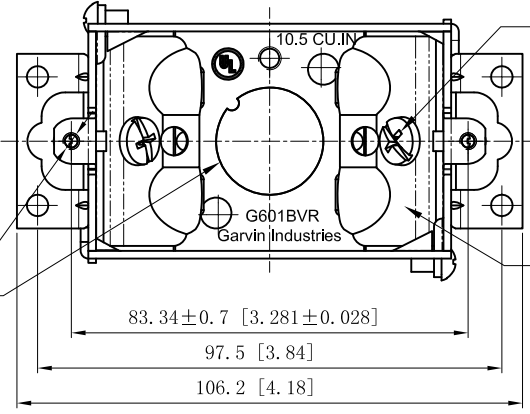
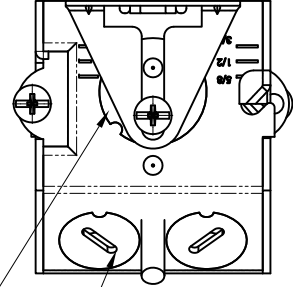
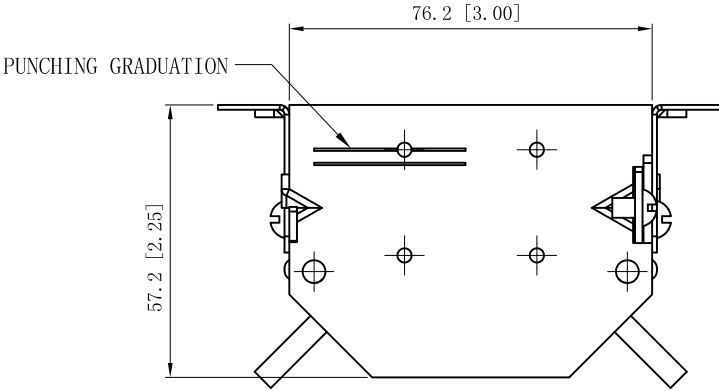
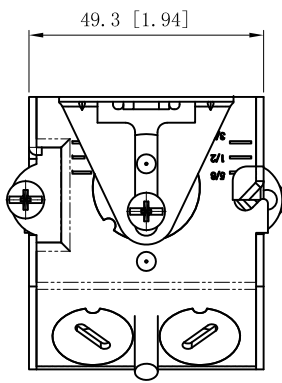


SIDES	BOTTOM
	1/2" KNOCKOUTS
	4 KNOCKOUTS
2pcs #8-32×5/32 zinc plated	
2pcs #8-32×3/16 zinc plated	
2pcs #10-32×7/8 zinc plated	
Material: Steel-0.0625"-G60 Galvanized	



2-#6-32 UNC HOLE  
 1/2" KNOCKOUTS  $\phi=22.5$  [  $\phi=0.89$  ]



2 1/2" KNOCKOUTS  $\phi=22.5$  [  $\phi=0.89$  ] MIRROR  
 4 KNOCKOUTS  $\phi=16.9$  [  $\phi=0.67$  ] MIRROR

This data sheet is for reference only .GARVIN INDUSTRIES reserves the right to make changes to the design without prior notice.

DESCRIPTION
TRADE REFERENCE TERMS

STANDARD PACKING
50 PCS

<h1>GARVIN INDUSTRIES</h1>		
TITLE		
SIZE	DWG NO.	REV
A4	G601BVR	
DATA SHEET		