

Assembly Guide



Bush
FURNITURE

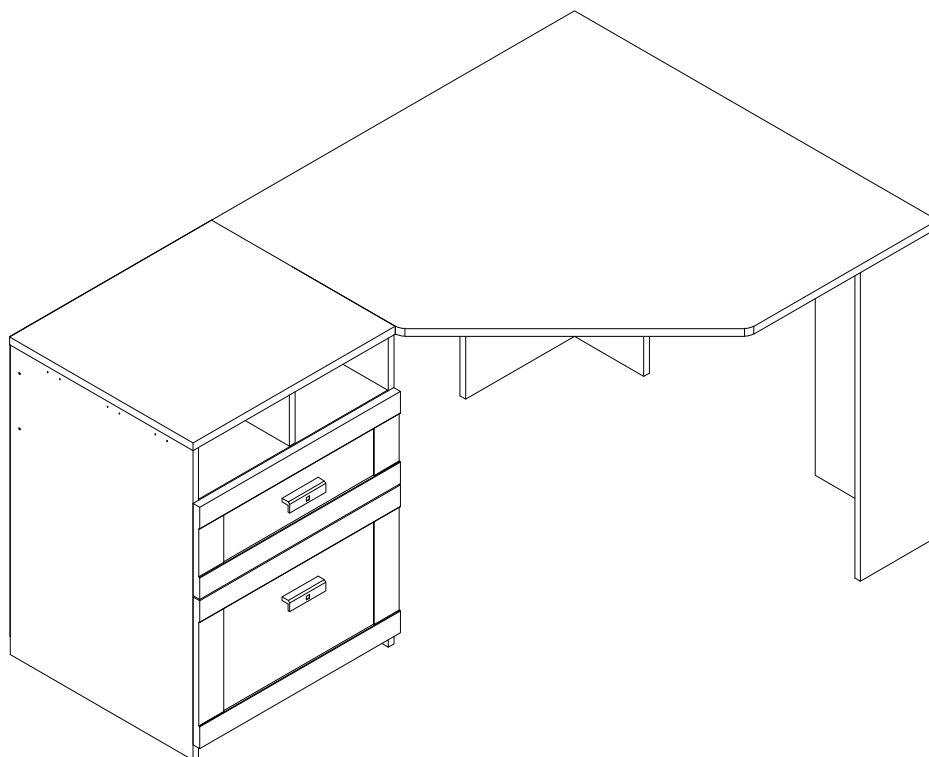


If you're having any difficulty during assembly of this product, don't hesitate to call us at **1-800-950-4782.**

Our customer service experts are trained to provide step-by-step instruction and can easily replace any missing or damaged parts.

Representatives are available Monday-Friday from 8:30 a.m. to 7:30 p.m. (ET)

Reversible Corner Desk



Lot Code #

Part Number A190629D

Keep manual for future reference.

For best results, keep these tips in mind:

- ① We know you want to finish this assembly as quickly as possible, but trust us: you'll have a better experience if you take it one step at a time.
- ② Give yourself some room to work near where you want the fully assembled product.
- ③ If your floor isn't carpeted, assemble this product on the empty carton to avoid scratching.
- ④ Do you have a friend who owes you a favor? Some steps may go a little easier with a second set of hands.

DOs

- ✔ Use a #2 Phillips head screwdriver (or other handheld tools as indicated)
- ✔ Wear safety glasses at all times during assembly
- ✔ Carefully follow the instructions in this guide and complete all steps in order
- ✔ Give us a call if you're having trouble with a particularly tricky step

DON'Ts

- ✘ We know power tools are quick and easy, but you shouldn't use them when assembling this product (unless otherwise specified)
- ✘ Never move your furniture with items inside or resting on the surface
- ✘ Do not attempt to use this product before all steps have been completed

**Watch assembly videos right on your phone or computer!**

Some steps include QR codes that link to helpful videos. Watch out for the icon below! Simply open up your smartphone camera to scan the code.

(Users of older smartphones may need to install a QR Reader.)

SCAN HERE**FOR VIDEOS**

Or visit <https://bushfurniture.com/help-faq/#assembling>

IMPORTANT SAFETY INFORMATION



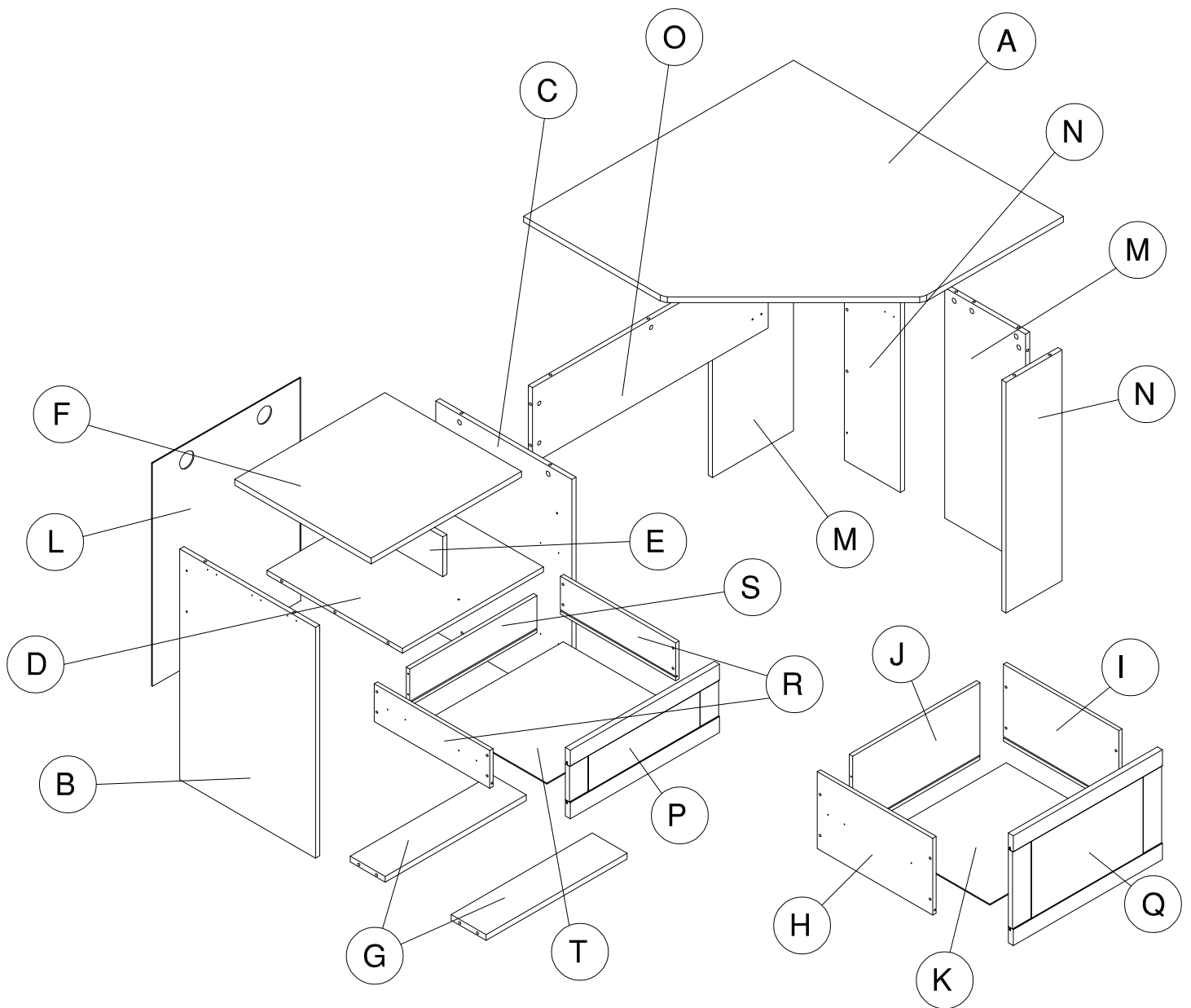
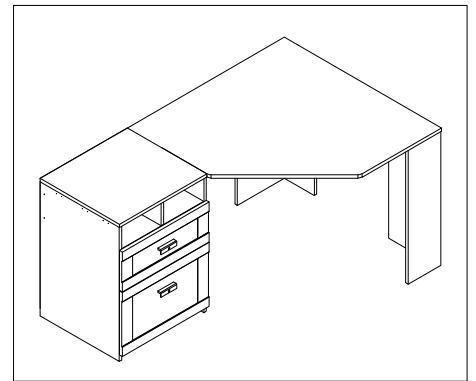
PLEASE READ WARNINGS

Improper use can cause safety hazards, or damage to your furniture and household items.

Warning	Do	Don't	Why it's important
Serious injury may occur.	<ul style="list-style-type: none">Assemble following all instructions using all indicated parts and hardware provided.	<ul style="list-style-type: none">Do not move unit when loaded.Do not load with a television or other heavy equipment.Do not exceed the maximum load limits stated in the instructions.	Improper assembly, use or loading can lead to product instability, tip-over or collapse.

Advertencia	Hacer	No	Por qué es importante
Se pueden producir lesiones graves.	<ul style="list-style-type: none">Ensamble siguiendo todas las instrucciones utilizando todas las piezas y ferretería indicados provistos.	<ul style="list-style-type: none">No mueva la unidad cuando esté cargada.No cargue con un televisor u otro equipo pesado.No exceda los límites máximos de carga establecidos en las instrucciones.	El ensamblaje, uso o carga inadecuados pueden provocar inestabilidad del producto, vuelco o colapso.

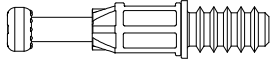
Avertissement	Faire	Ne le fais pas	Pourquoi c'est important
Des blessures graves peuvent survenir.	<ul style="list-style-type: none">Assemblez en suivant toutes les instructions en utilisant toutes les pièces et le matériel indiqués fournis.	<ul style="list-style-type: none">Ne déplacez pas l'unité lorsqu'elle est chargée.Ne chargez pas avec un téléviseur ou un autre équipement lourd.Ne dépassez pas les limites de charge maximale indiquées dans les instructions.	Un assemblage, une utilisation ou un chargement incorrects peuvent entraîner une instabilité du produit, un renversement ou un effondrement.



Have an assembly question or need a replacement part? Just call
1-800-950-4782, we are here to help.

Fasteners are shown actual size.

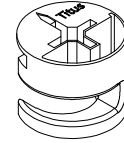
H72988



KD Bolt

[31]

H181468



KD Cam

[31]

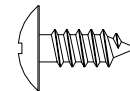
H38169



Wood Dowel
8 x 30mm

[14]

H35251



#10 x 1/2"

[12]

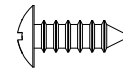
H124395



#6 x 1/2"

[12]

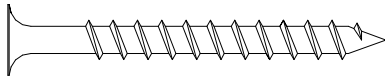
H192100



#8 x 1/2"

[6]

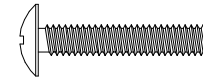
H23491



#10 x 2"

[2]

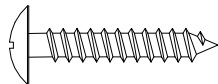
H160460



M4 x 22mm

[4]

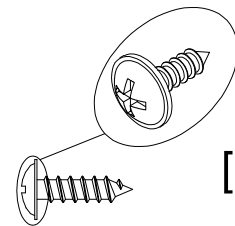
H150019



#8 x 1"

[4]

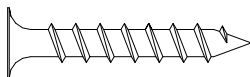
H204610



#6 x 1/2"

[13]

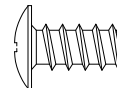
H26053



#10 x 1-1/4"

[8]

H146988



#12 x 1/2"

[8]



3 x 3/4"

[29]

H195734



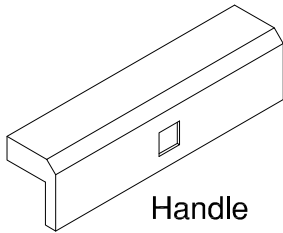
6.3x13mm ZINC

[6]

Have an assembly question or need a replacement part? Just call
1-800-950-4782, we are here to help.

Hardware not to scale.

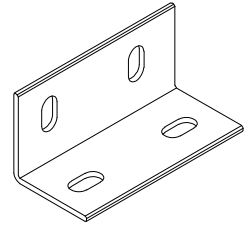
H156811



[2]

Handle

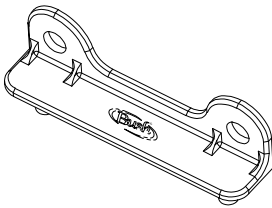
H146872



[3]

L Bracket

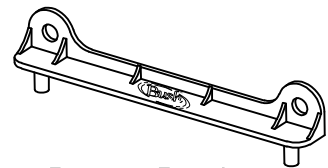
H100445



[2]

Drawer Bracket

H100446



[2]

Drawer Bracket

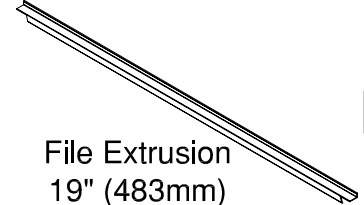
H94928



[2]

File Extrusion
12" (304mm)

H153270



[1]

File Extrusion
19" (483mm)

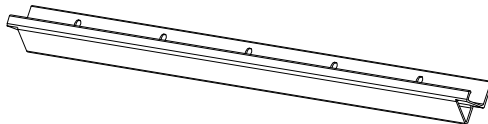
H89793



[1]

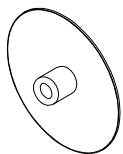
File Bar
12-1/2" (318mm)

H153269



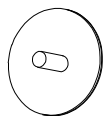
[1]

Front File Extrusion
19" (483mm)



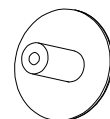
[22]

Cover Cap



[6]

Hole Plug 3mm



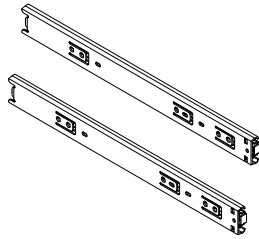
[2]

Hole Plug 5mm

Have an assembly question or need a replacement part? Just call
1-800-950-4782, we are here to help.

Hardware not to scale.

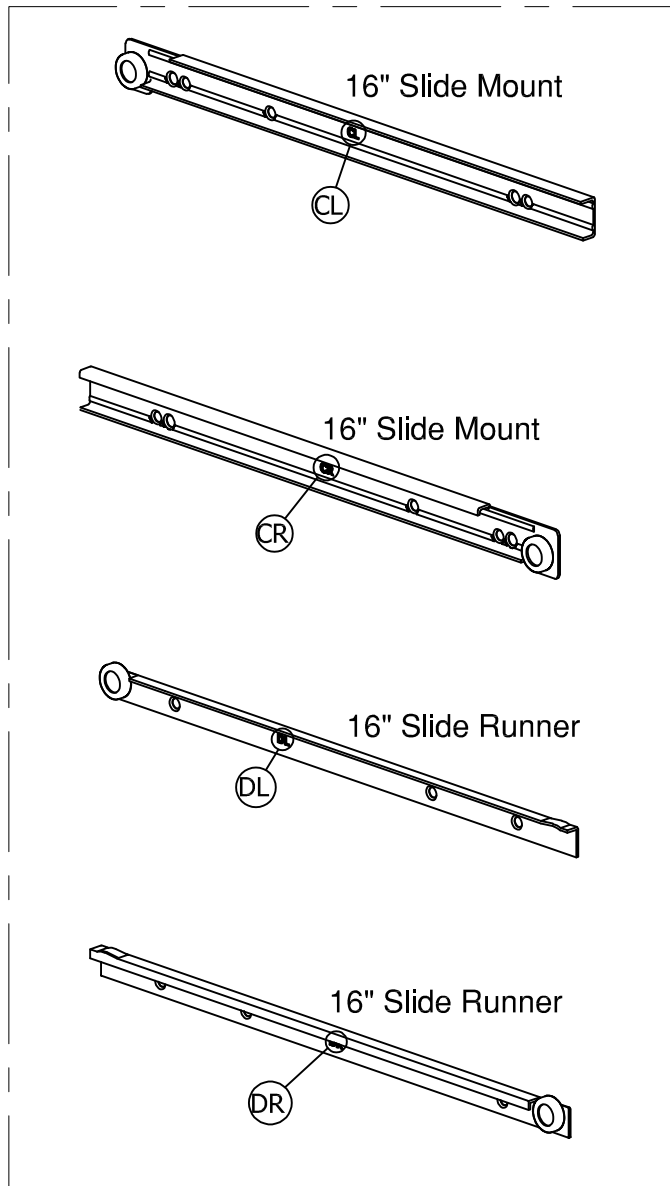
Q211161



[1]

14" Slide(356mm)

Q89897



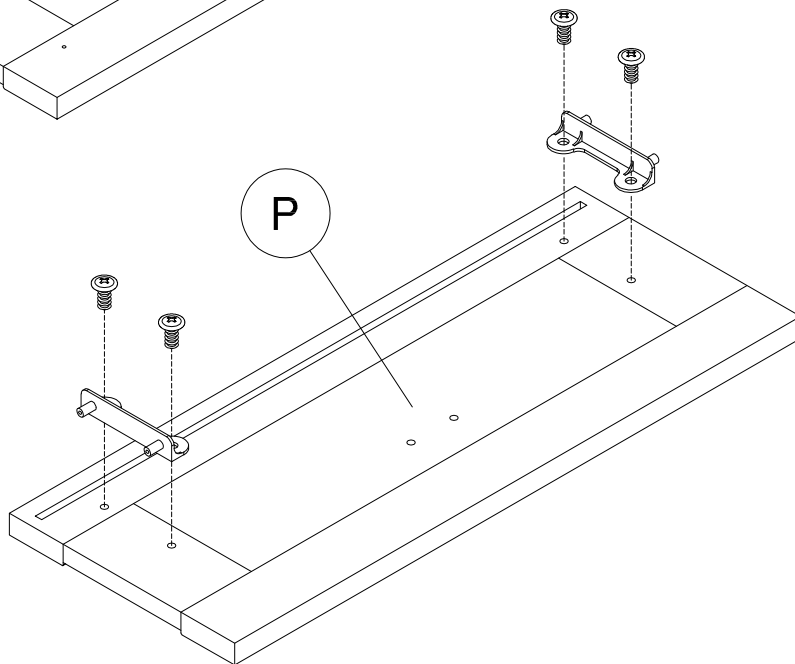
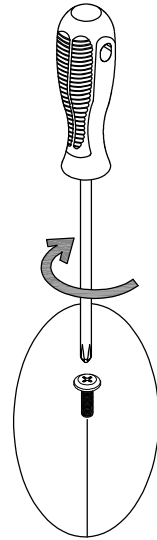
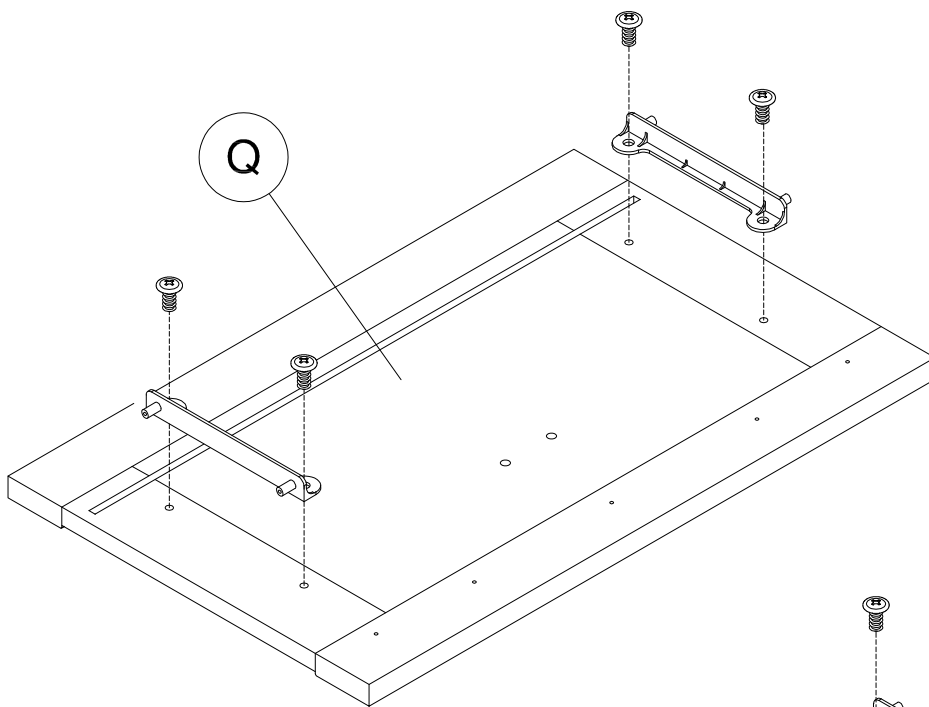
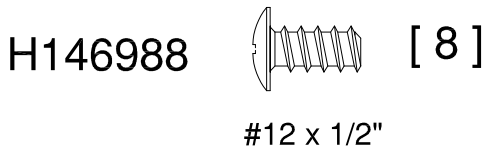
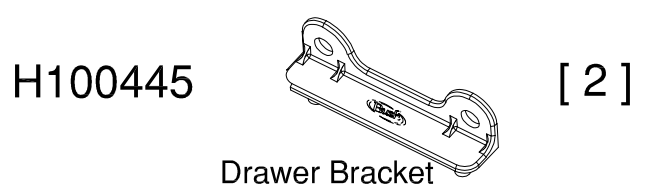
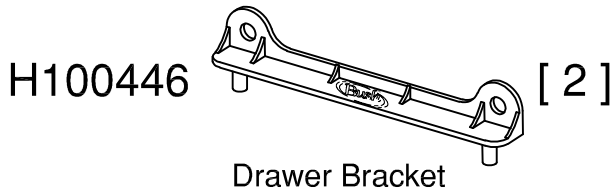
[1]

Have an assembly question or need a replacement part? Just call **1-800-950-4782**, we are here to help.

STEP 1

Prepare Drawer Fronts

A190629D



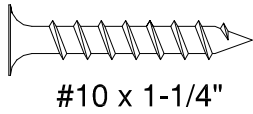
Have an assembly question or need a replacement part? Just call
1-800-950-4782, we are here to help.

STEP 2

Build Drawer

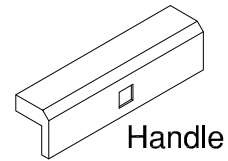
A190629D

H26053



[4]

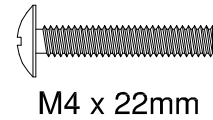
H156811



[1]

Handle

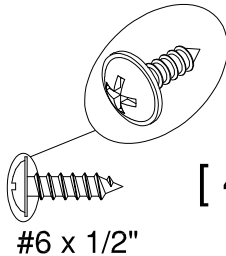
H160460



[2]

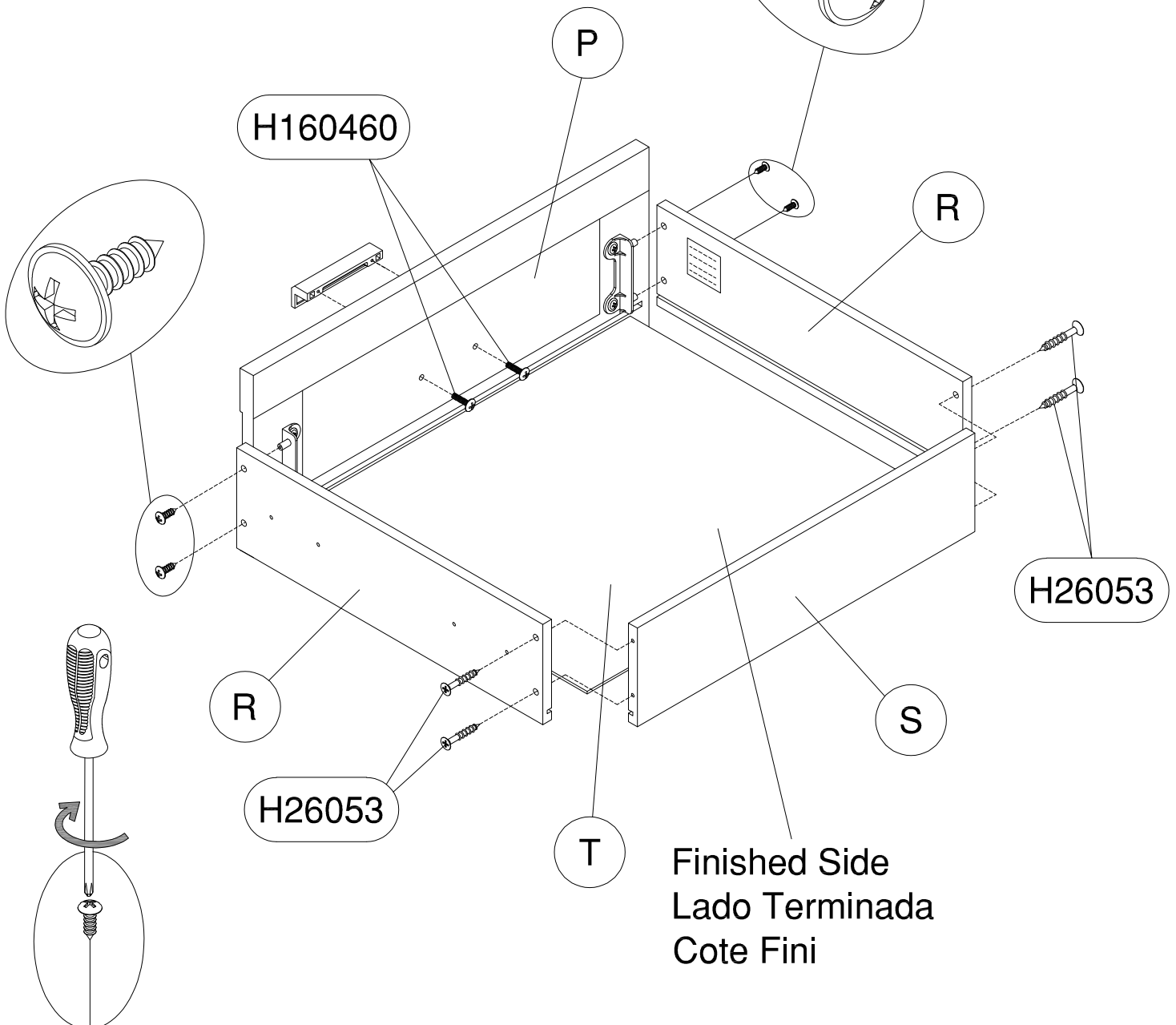
M4 x 22mm

H204610



[4]

#6 x 1/2"



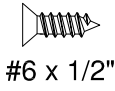
Have an assembly question or need a replacement part? Just call
1-800-950-4782, we are here to help.

STEP 3

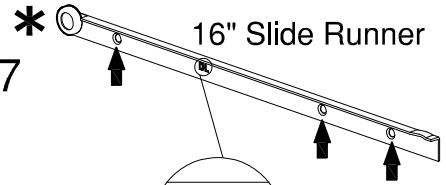
Install Slide Runners

A190629D

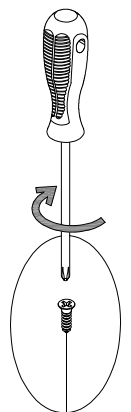
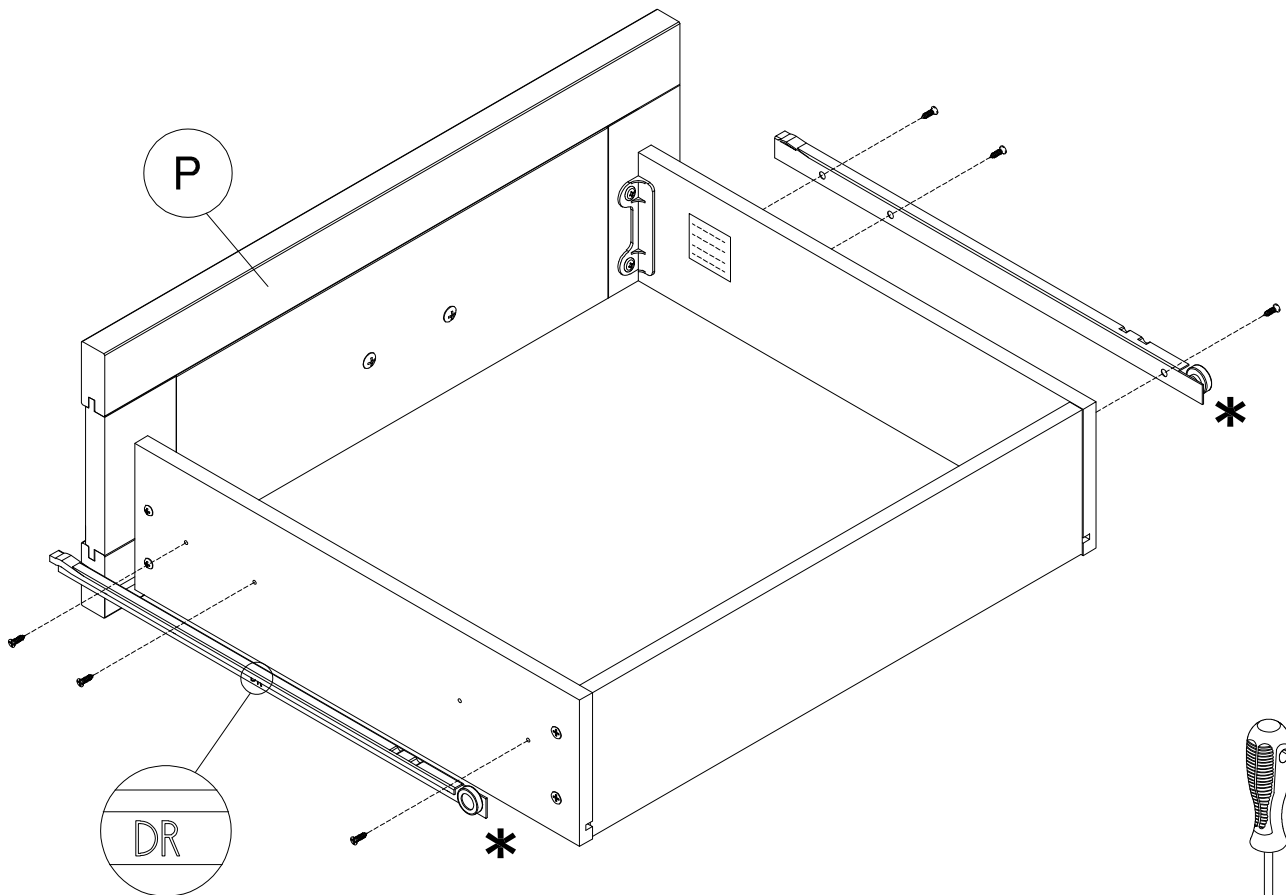
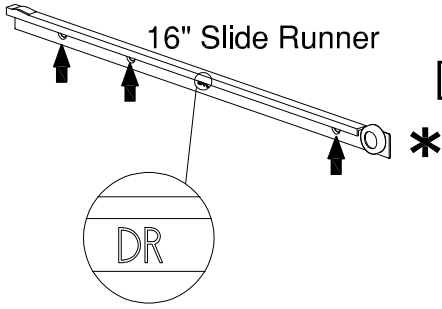
H124395 [6]
#6 x 1/2"



Q89897 [1]
16" Slide Runner



Q89897 [1]
16" Slide Runner



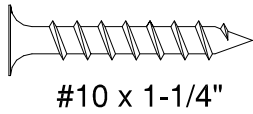
Have an assembly question or need a replacement part? Just call
1-800-950-4782, we are here to help.

STEP 4

Build Drawer

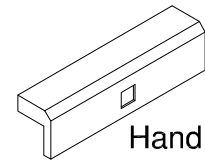
A190629D

H26053



[4]

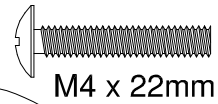
H156811



Handle

[1]

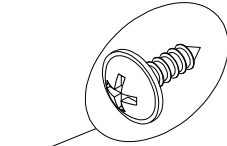
H160460



M4 x 22mm

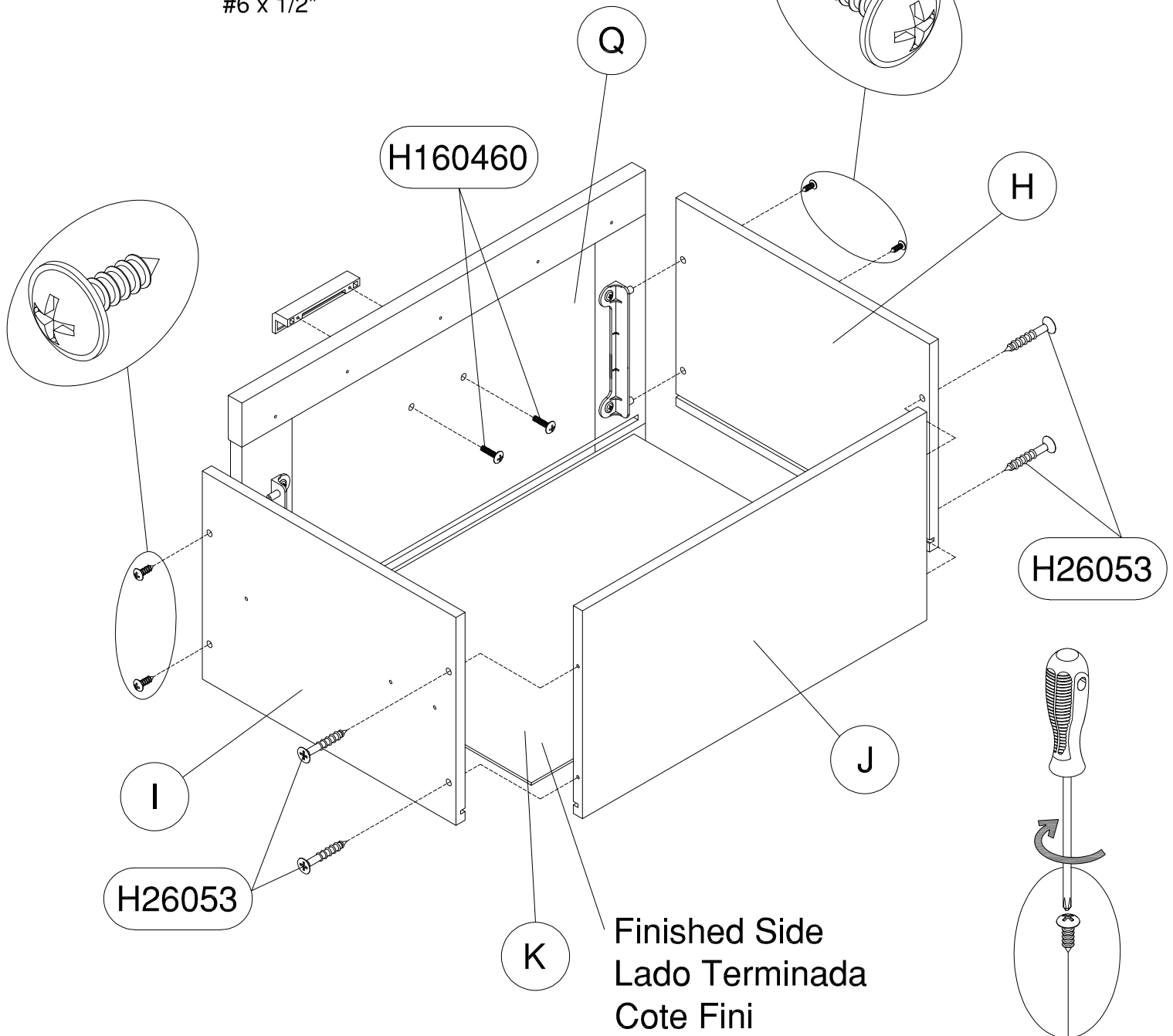
[2]

H204610



[4]

#6 x 1/2"



Finished Side
Lado Terminada
Cote Fini

Have an assembly question or need a replacement part? Just call
1-800-950-4782, we are here to help.

Scan QR Code to Watch Video on:

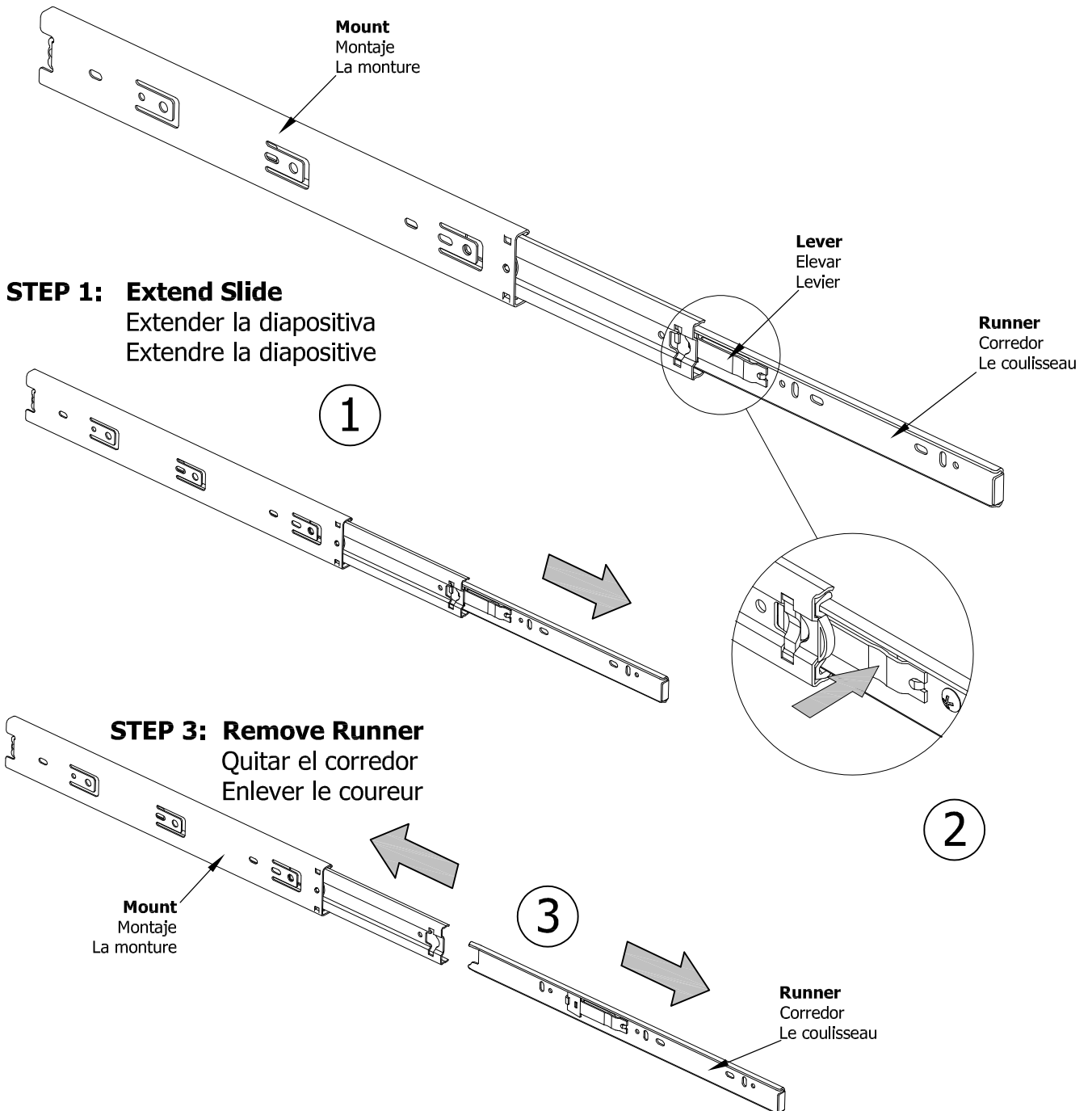


How to Separate and Install Drawer Slides

**Slides Must Be Separated Before Assembly.
After Separated, Set Aside Until Needed for Assembly.**

Las diapositivas deben separarse antes del montaje.
Después de la separación, déjelo a un lado hasta que sea necesario.

Les glissières doivent être séparées avant l'assemblage.
Après la séparation, mettez de côté jusqu'au moment de l'assemblage.



Have an assembly question or need a replacement part? Just call **1-800-950-4782**, we are here to help.

STEP 6

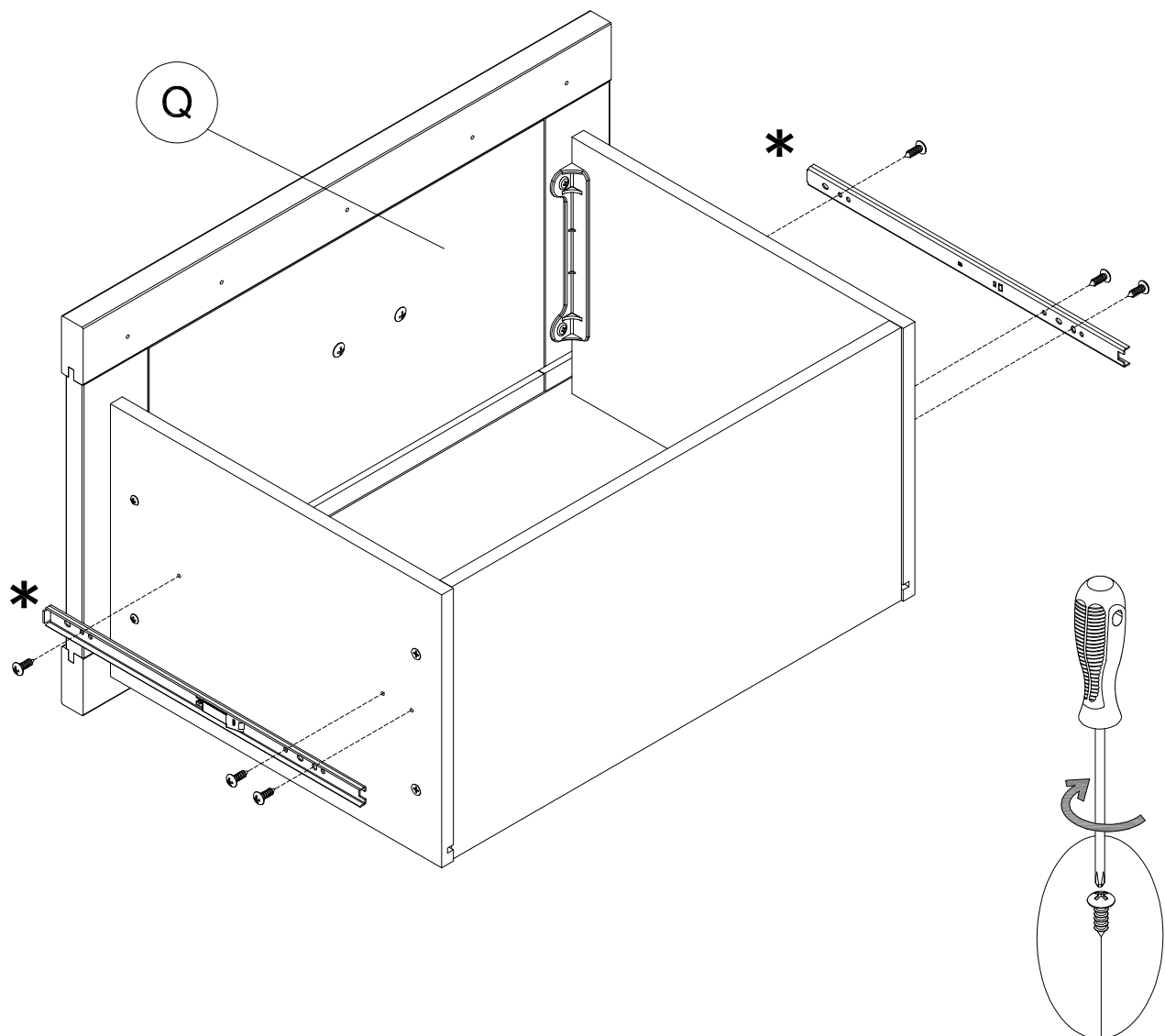
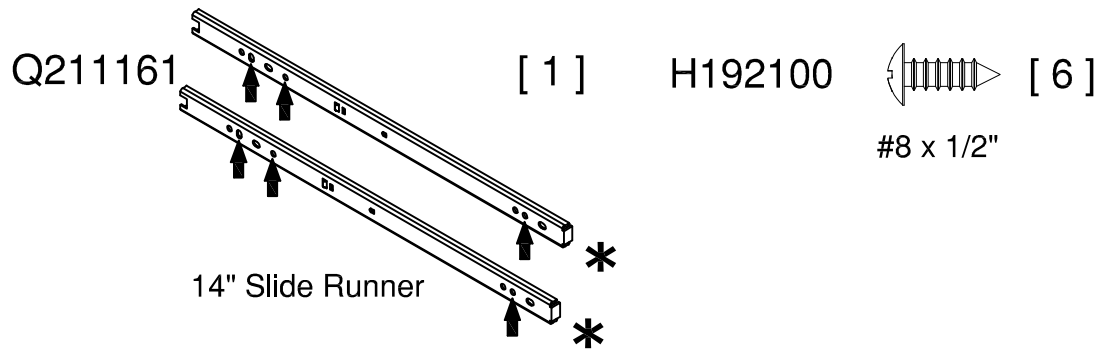
Install Slide Runners

A190629D

Scan QR Code to Watch Video on:



How to Separate and Install Drawer Slides



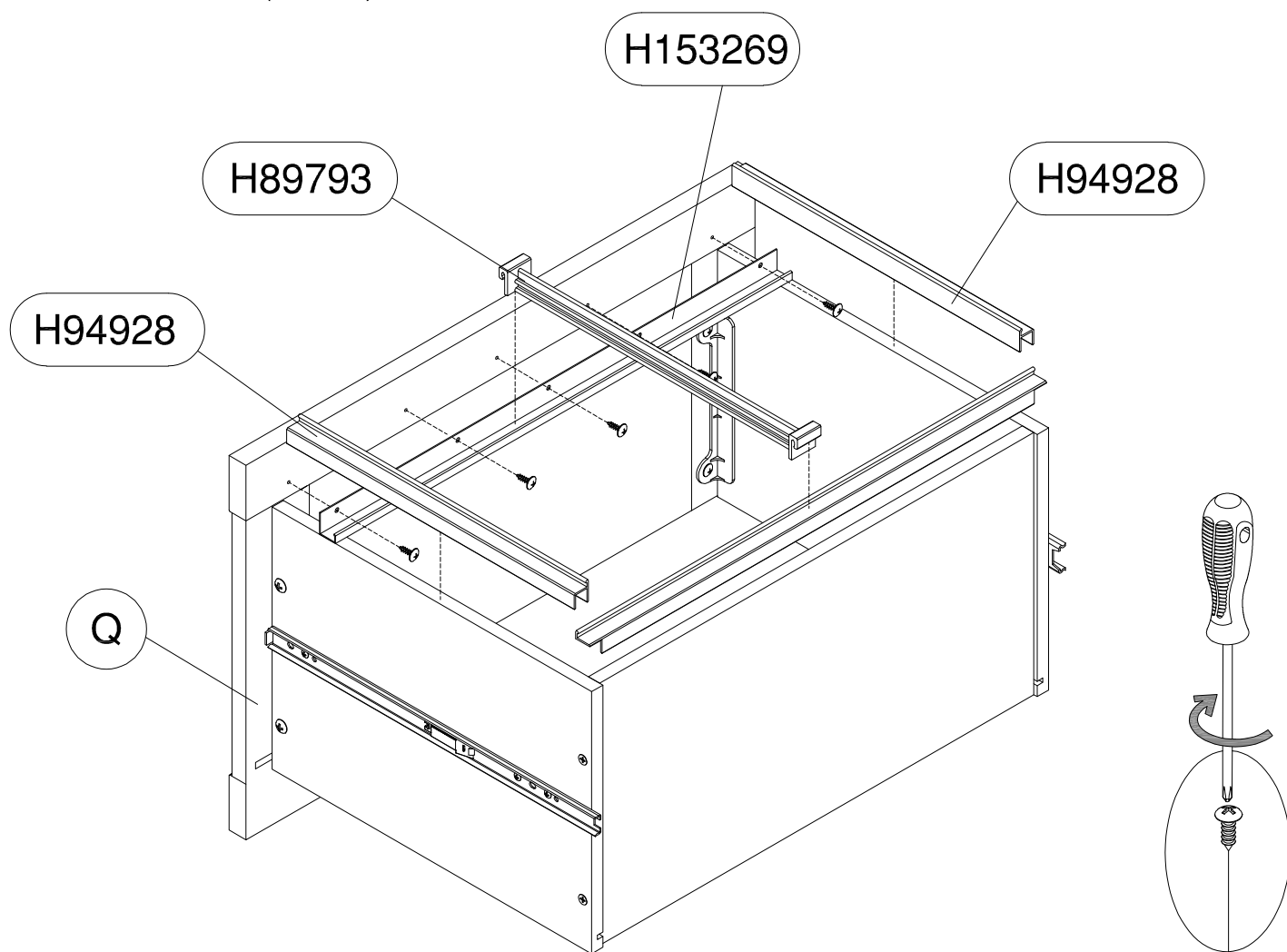
Have an assembly question or need a replacement part? Just call
1-800-950-4782, we are here to help.

STEP 7

Install Hardware

A190629D

- H153269 [1] Front File Extrusion 19" (483mm)
- H153270 [1] File Extrusion 19" (483mm)
- H89793 [1] File Bar 12-1/2" (318mm)
- H204610 [5] #6 x 1/2"
- H94928 [2] File Extrusion 12" (304mm)



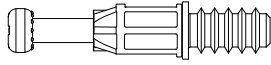
Have an assembly question or need a replacement part? Just call **1-800-950-4782**, we are here to help.

STEP 8

Prepare Panel

A190629D

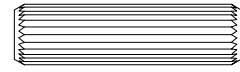
H72988



KD Bolt

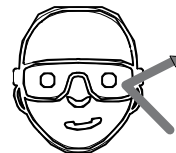
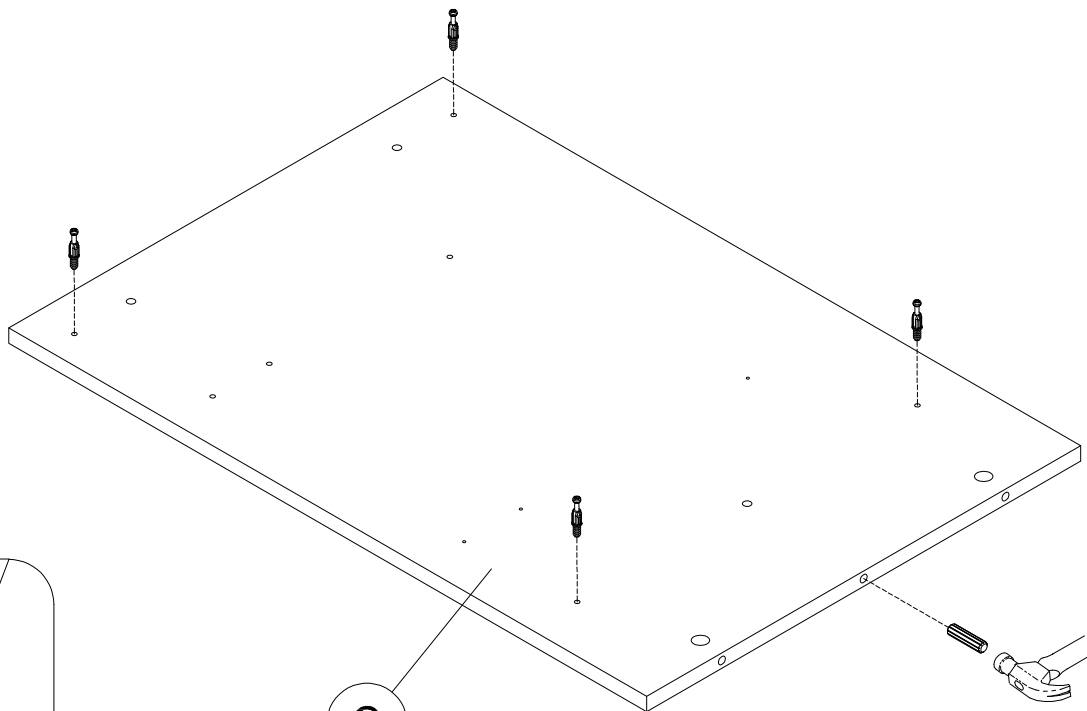
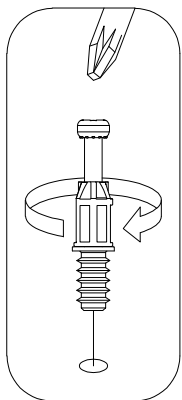
[4]

H38169



Wood Dowel
8 x 30mm

[1]



Safety glasses
Gafas de seguridad
Lunettes de protection

Have an assembly question or need a replacement part? Just call
1-800-950-4782, we are here to help.

STEP 9

Prepare Panel

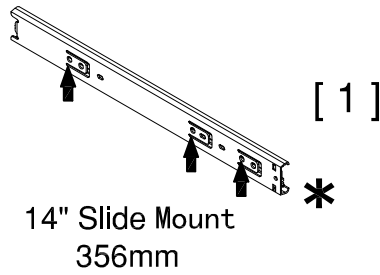
A190629D

Scan QR Code to Watch Video on:



How to Separate and Install Drawer Slides

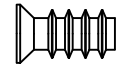
Q211161



[1]

14" Slide Mount
356mm

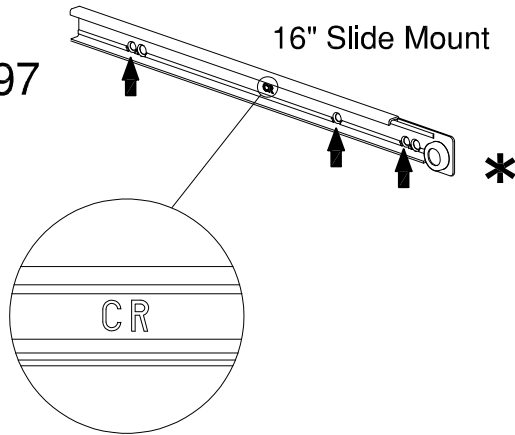
H195734



[3]

6.3x13mm ZINC

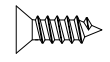
Q89897



16" Slide Mount

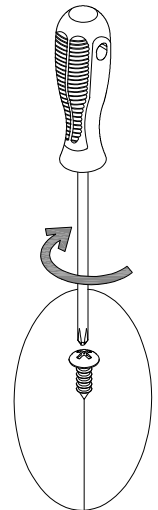
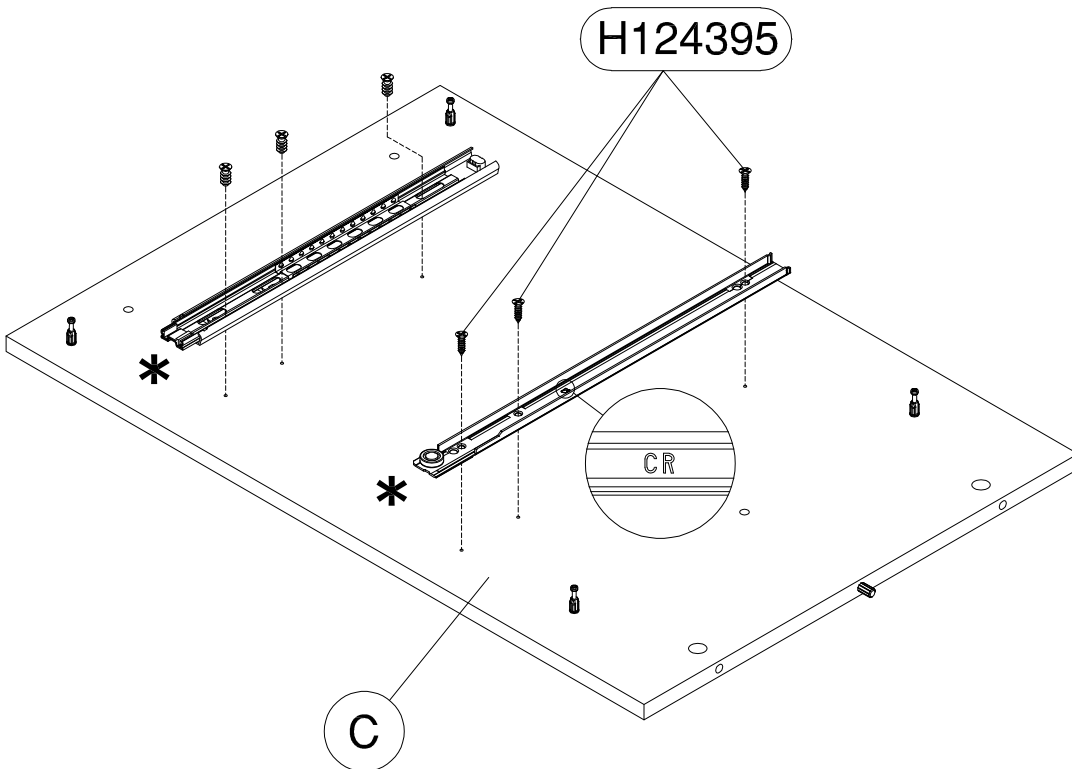
[1]

H124395



[3]

#6 x 1/2"



Have an assembly question or need a replacement part? Just call
1-800-950-4782, we are here to help.

STEP 10

Prepare Panels

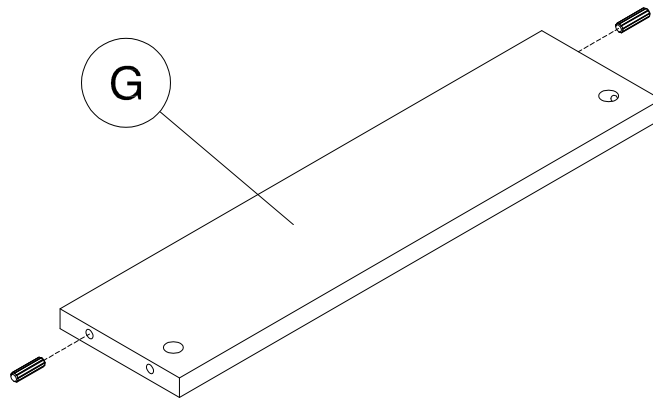
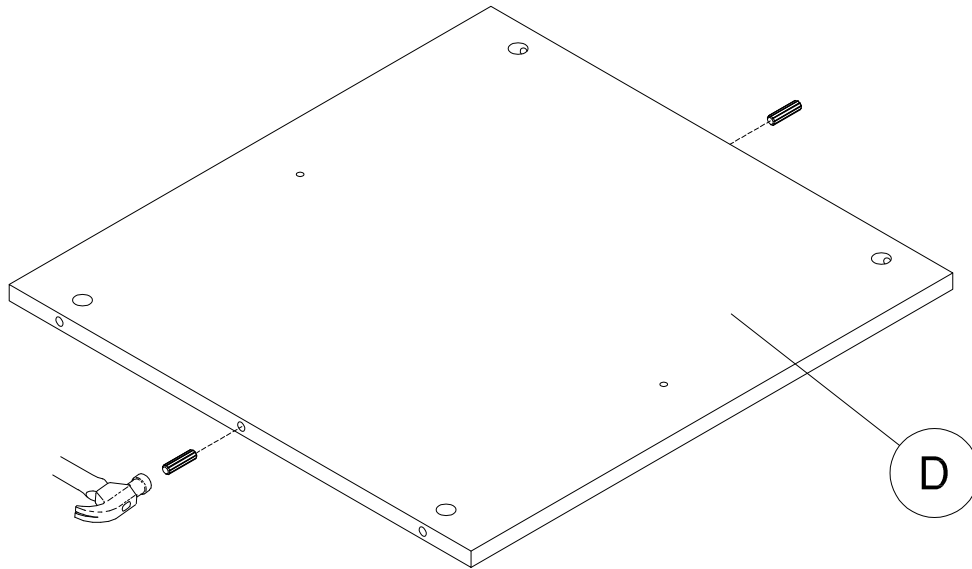
A190629D

H38169

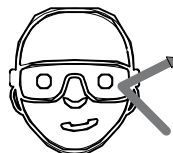


[6]

Wood Dowel
8 x 30mm



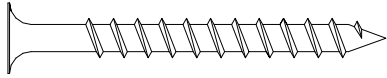
2 x



Safety glasses
Gafas de seguridad
Lunettes de protection

Have an assembly question or need a replacement part? Just call
1-800-950-4782, we are here to help.

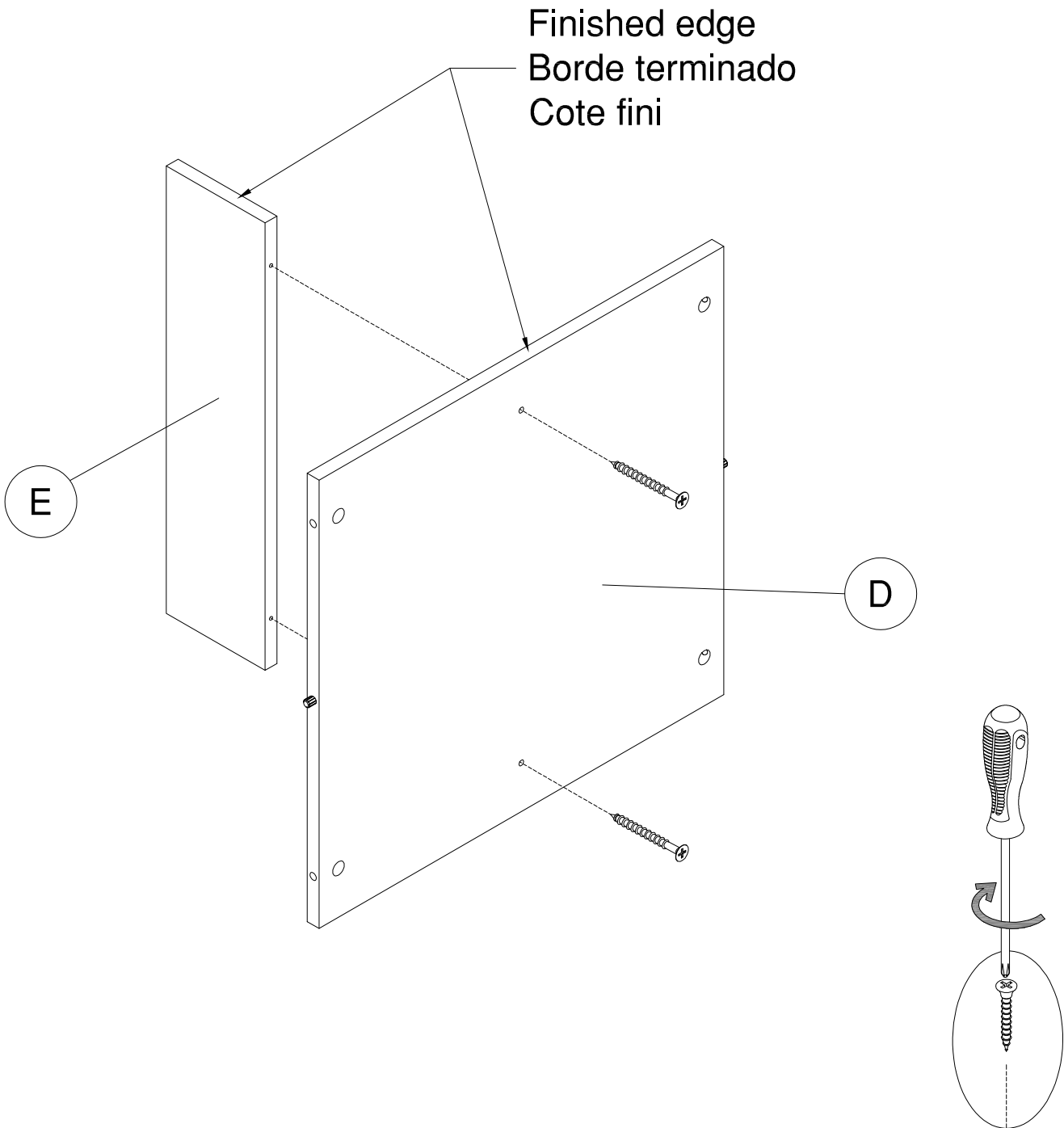
H23491



[2]

#10 x 2"

Finished edge
Borde terminado
Cote fini



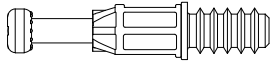
Have an assembly question or need a replacement part? Just call
1-800-950-4782, we are here to help.

STEP 12

Prepare Panel

A190629D

H72988



[4]

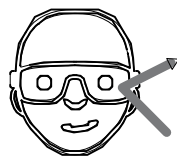
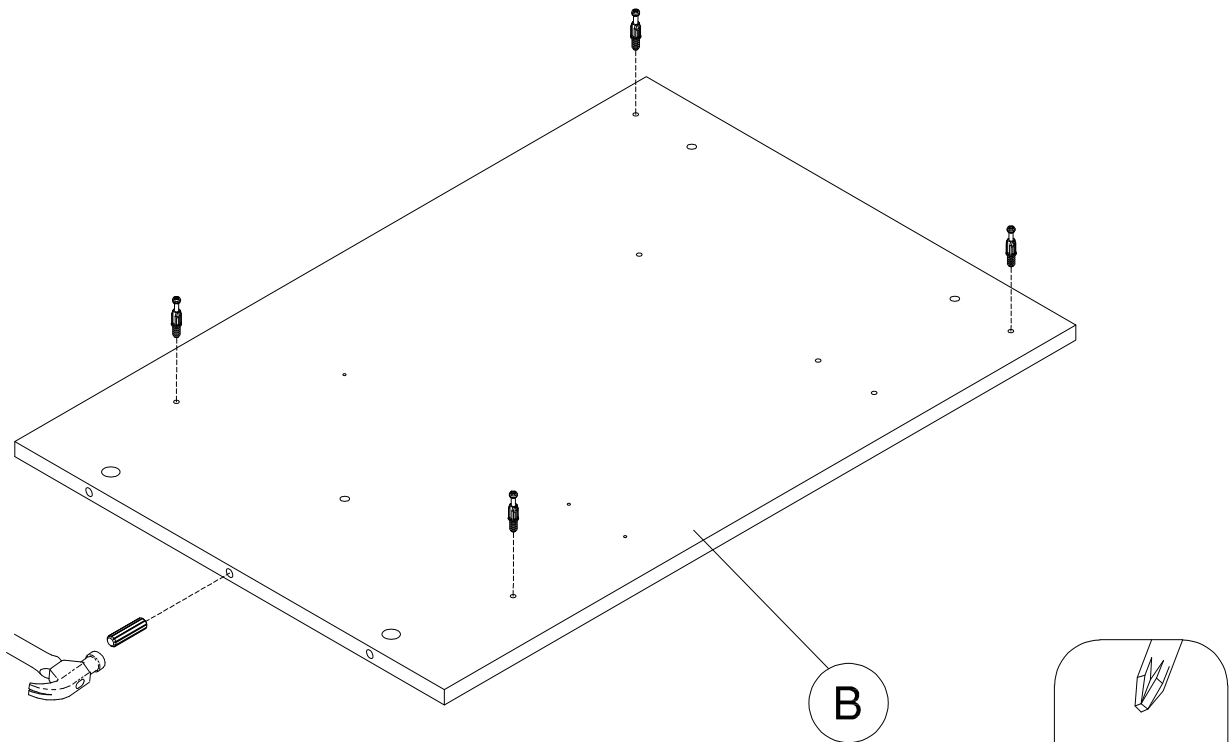
KD Bolt

H38169

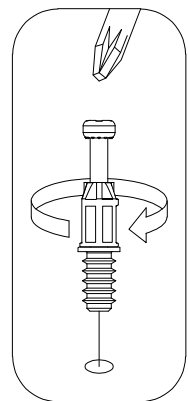


[1]

Wood Dowel
8 x 30mm



Safety glasses
Gafas de seguridad
Lunettes de protection



Have an assembly question or need a replacement part? Just call
1-800-950-4782, we are here to help.

STEP 13

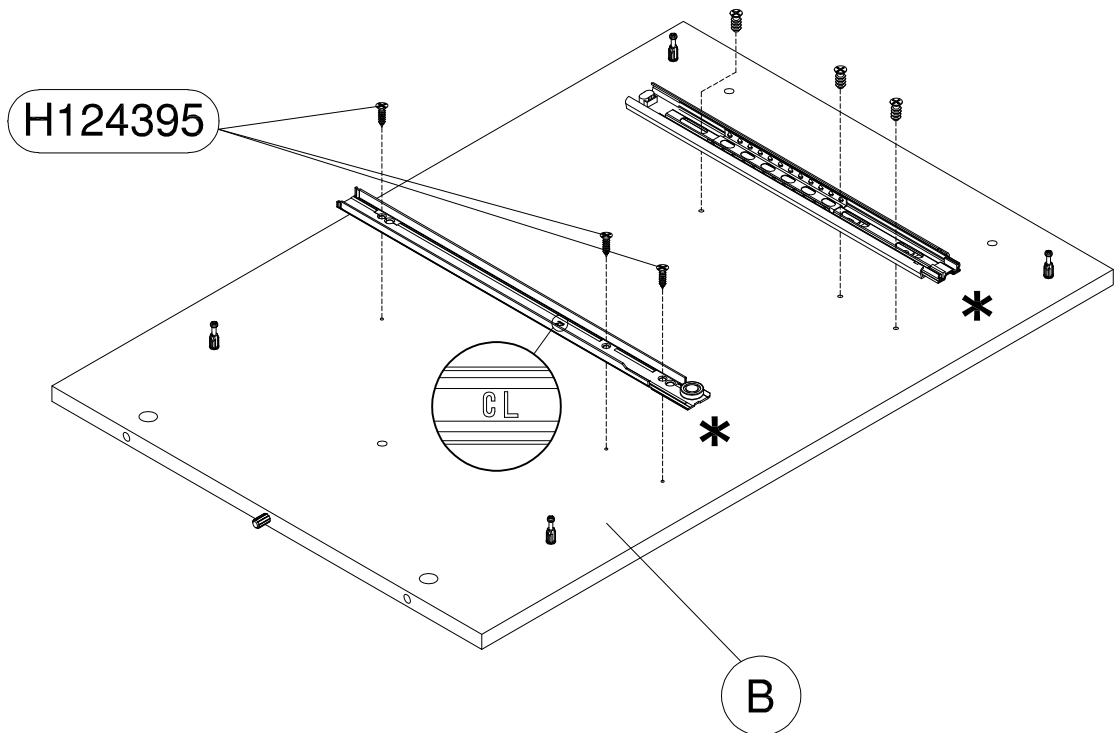
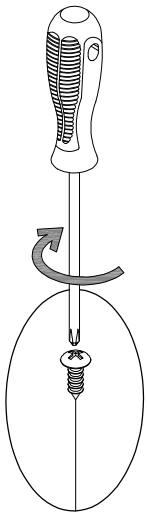
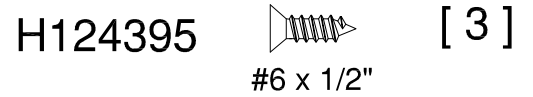
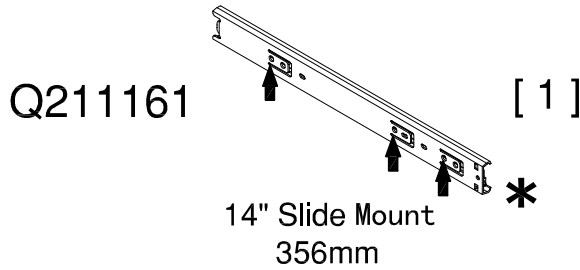
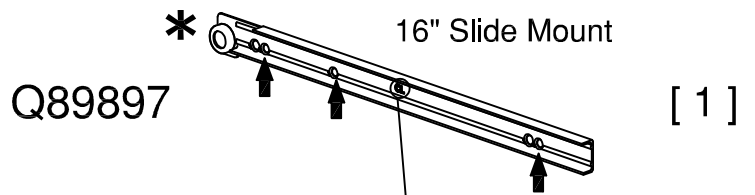
Prepare Panel

A190629D

Scan QR Code to Watch Video on:



How to Separate and Install Drawer Slides



Have an assembly question or need a replacement part? Just call **1-800-950-4782**, we are here to help.

STEP 14

Assemble Panels

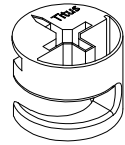
A190629D

Scan QR Code to Watch Video on:



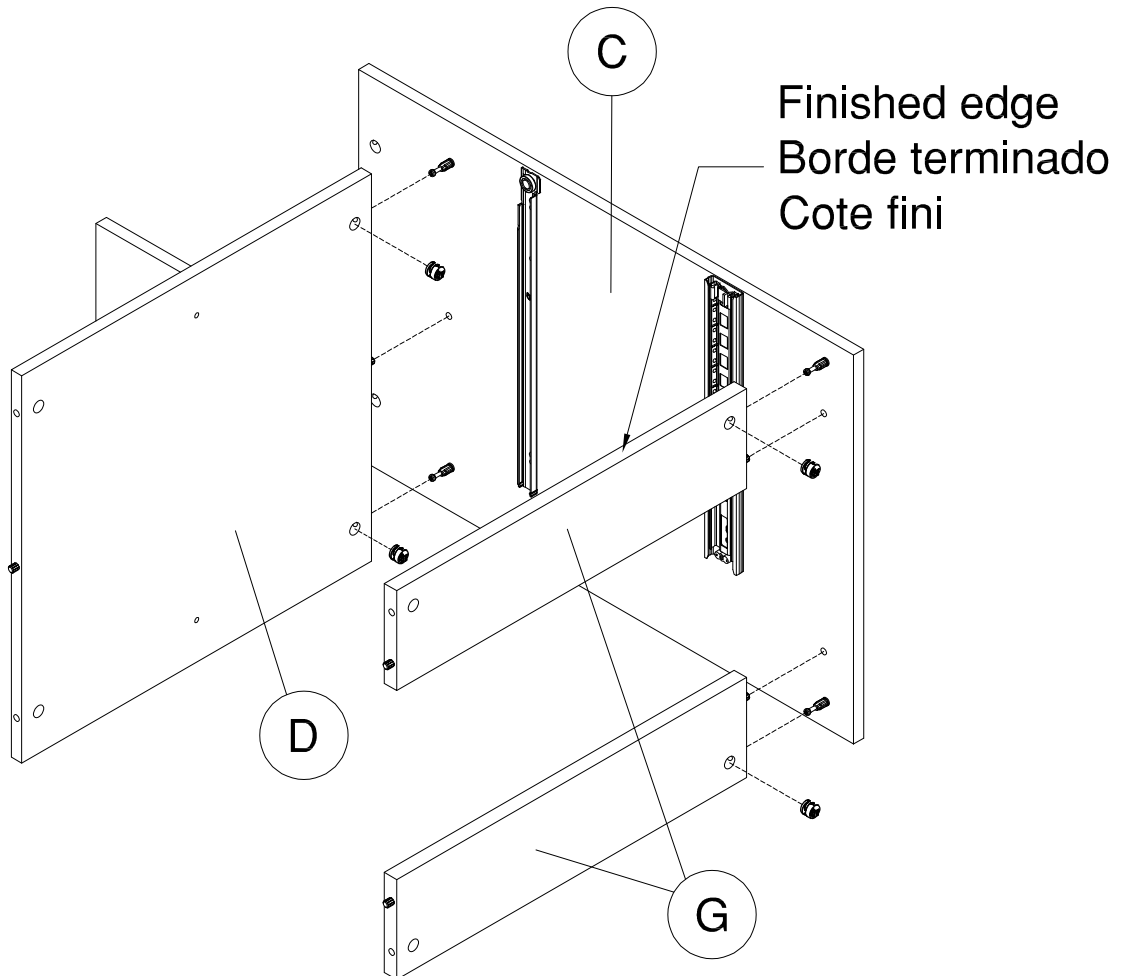
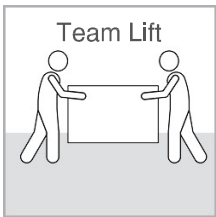
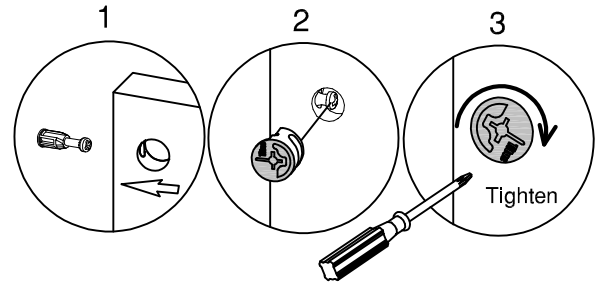
How to Tighten KD Cams

H181468



KD Cam

[4]



Have an assembly question or need a replacement part? Just call **1-800-950-4782**, we are here to help.

STEP 15

Assemble Panels

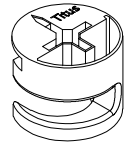
A190629D

Scan QR Code to Watch Video on:



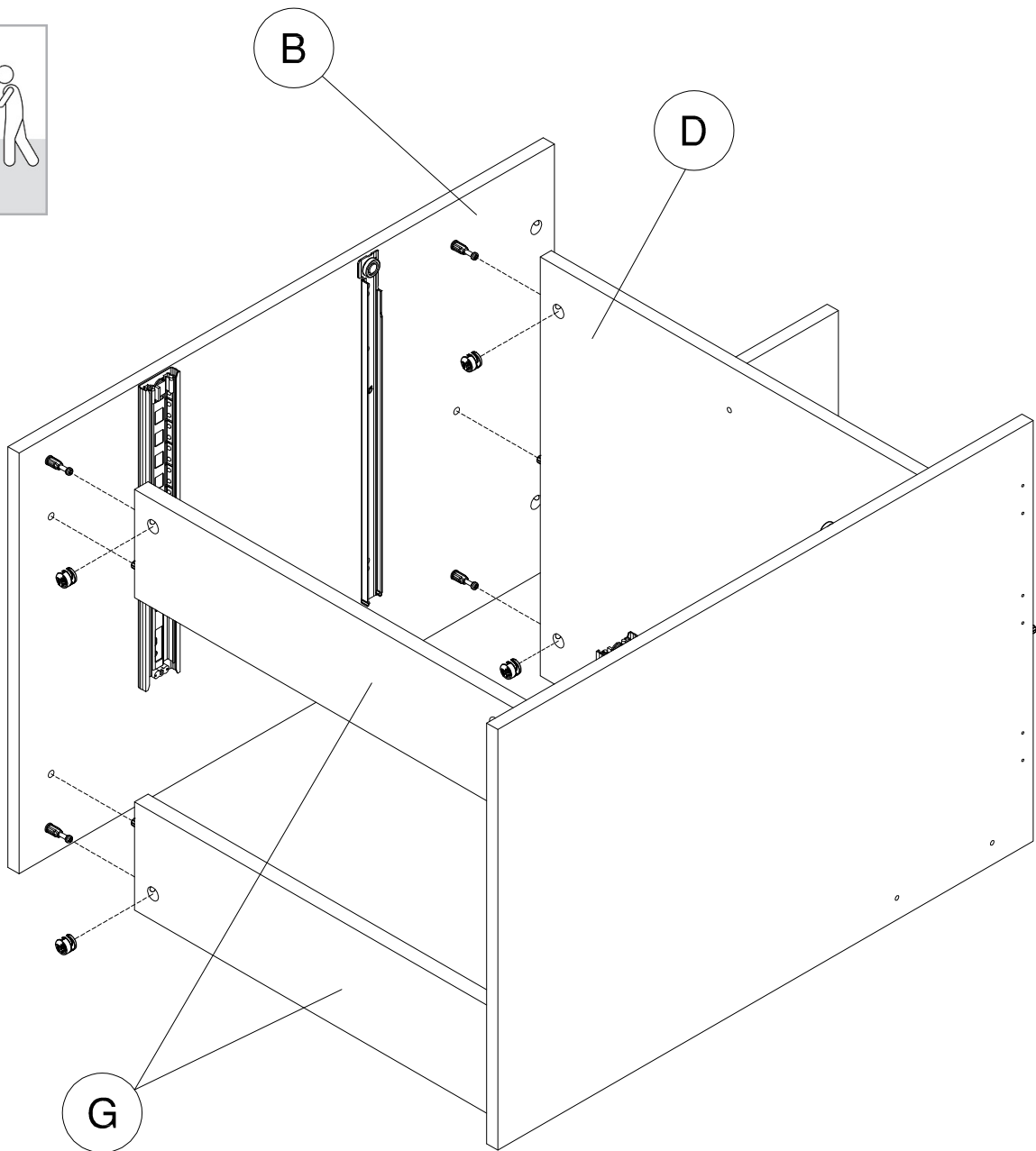
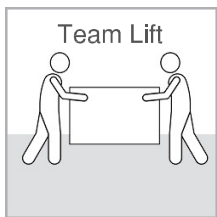
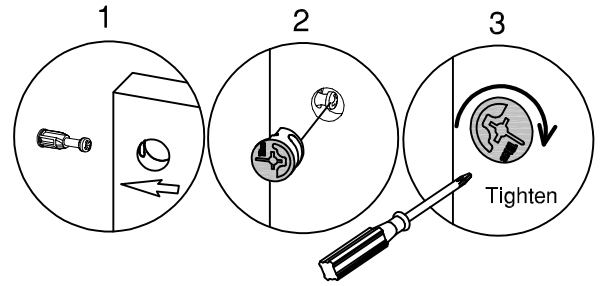
How to Tighten KD Cams

H181468



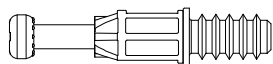
KD Cam

[4]



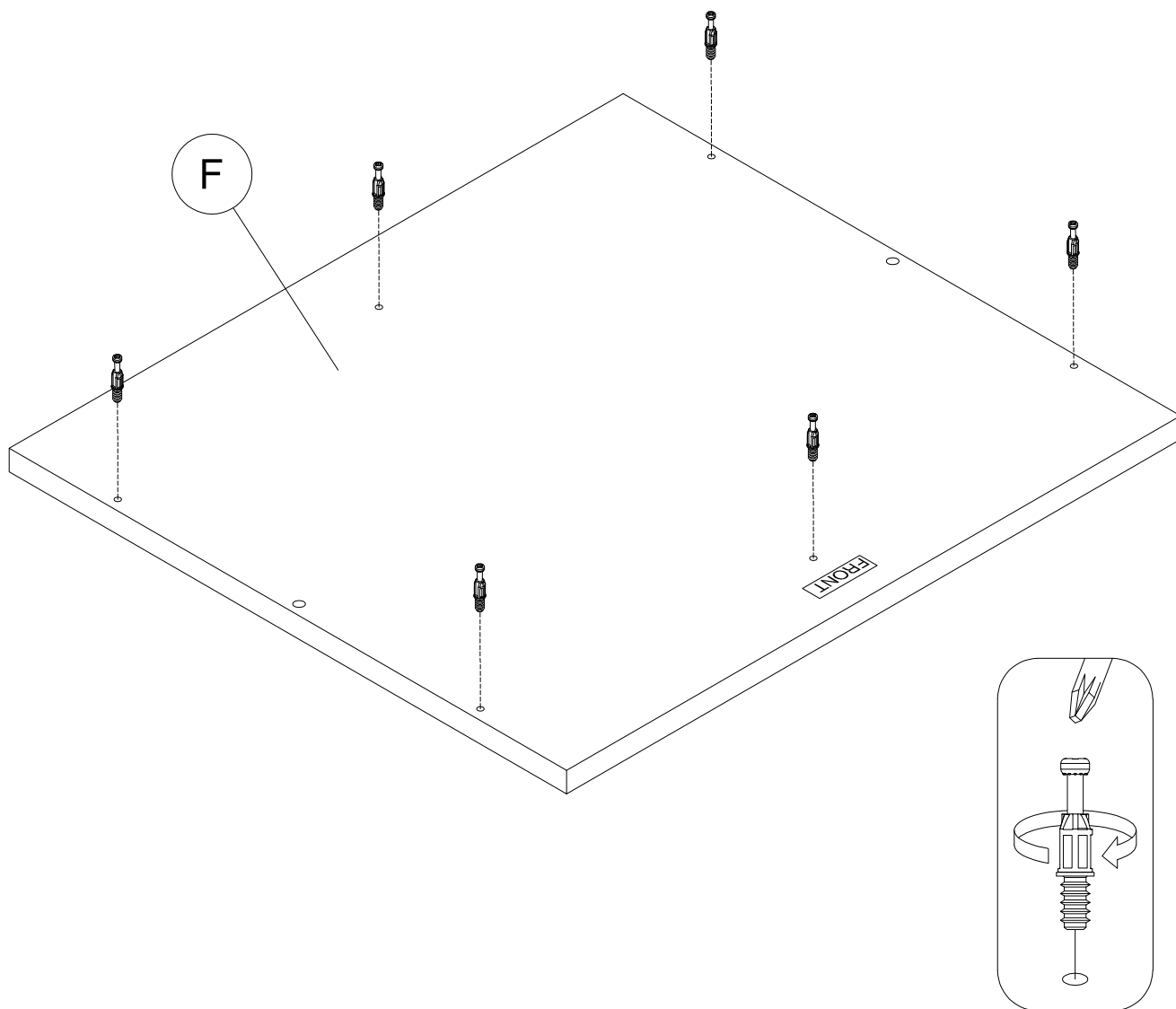
Have an assembly question or need a replacement part? Just call **1-800-950-4782**, we are here to help.

H72988



[6]

KD Bolt



Have an assembly question or need a replacement part? Just call
1-800-950-4782, we are here to help.

STEP 17

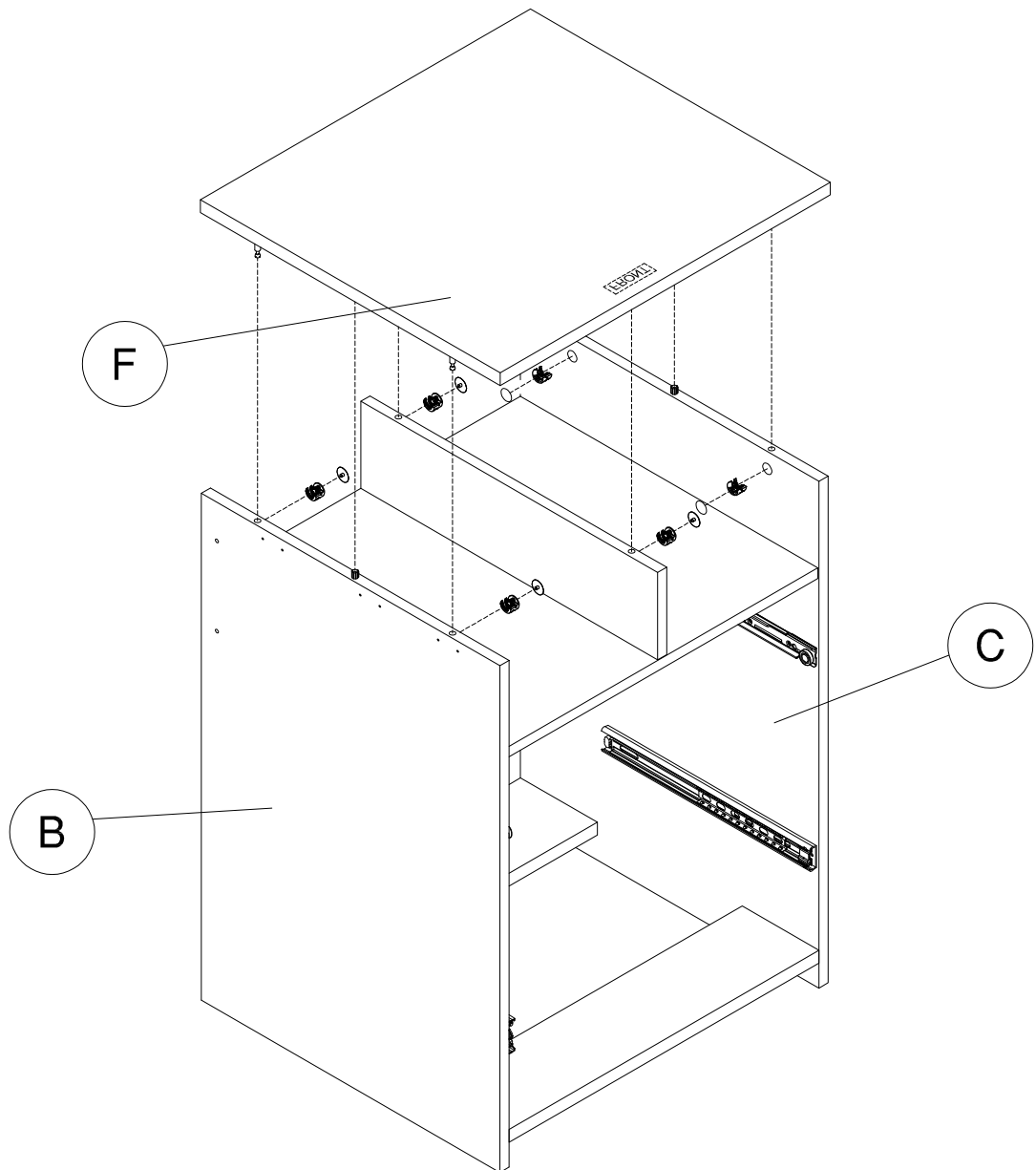
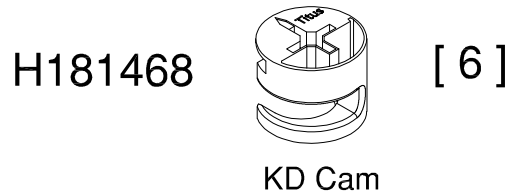
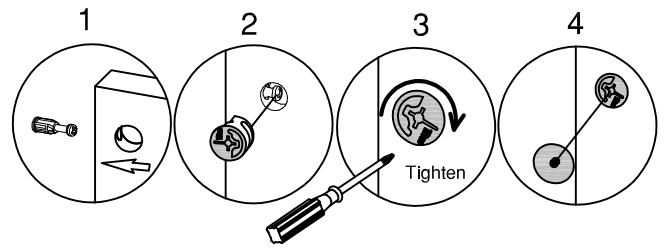
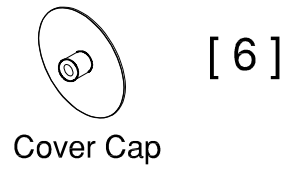
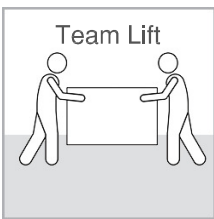
Assemble Panel

A190629D

Scan QR Code to Watch Video on:



How to Tighten KD Cams

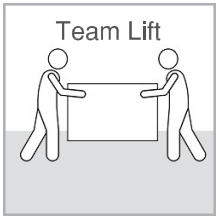


Have an assembly question or need a replacement part? Just call **1-800-950-4782**, we are here to help.

STEP 18

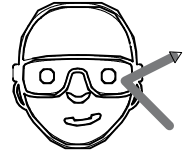
Assemble Back

A190629D

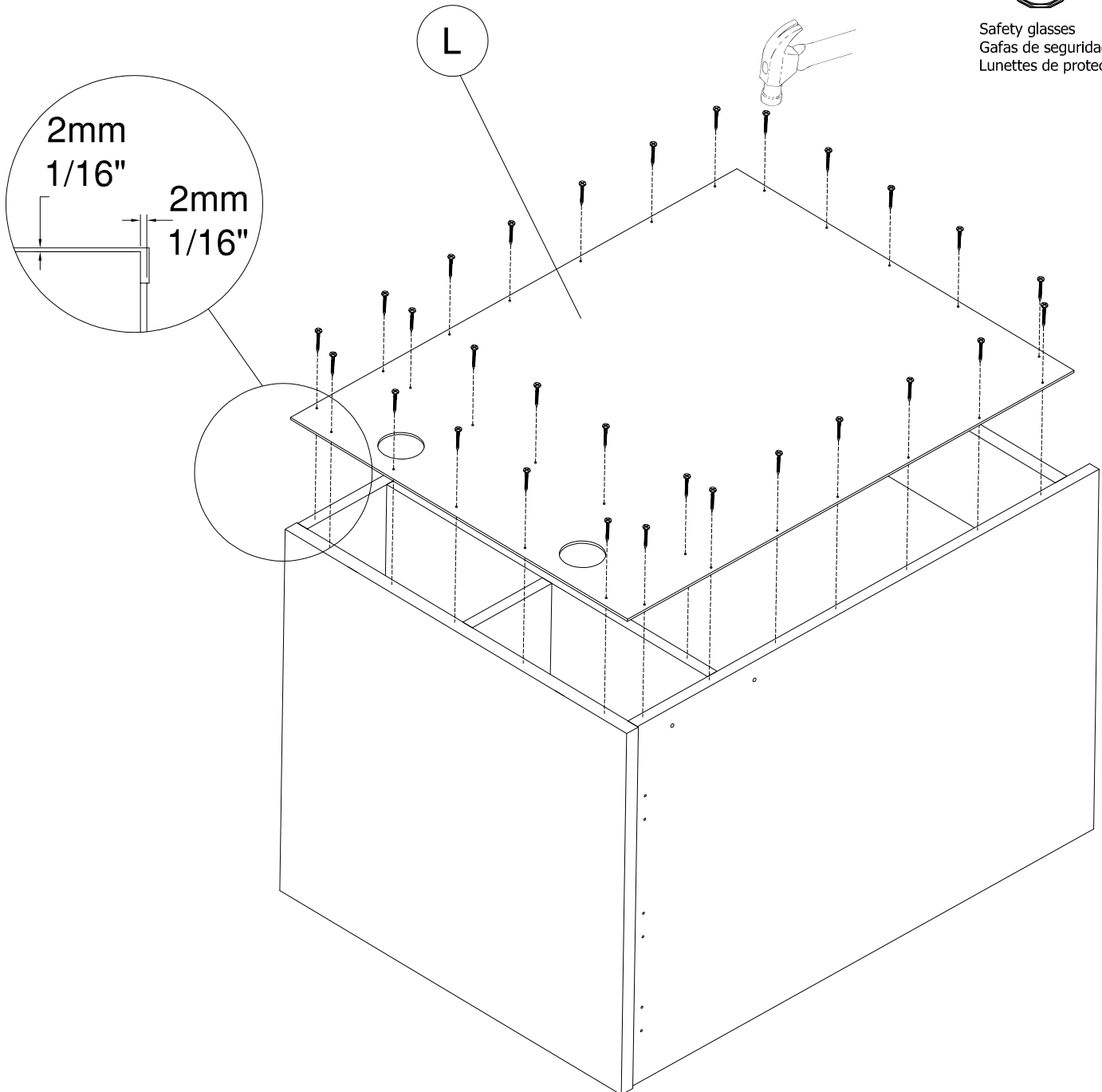


[29]

3 x 3/4"



Safety glasses
Gafas de seguridad
Lunettes de protection



Have an assembly question or need a replacement part? Just call
1-800-950-4782, we are here to help.

STEP 19

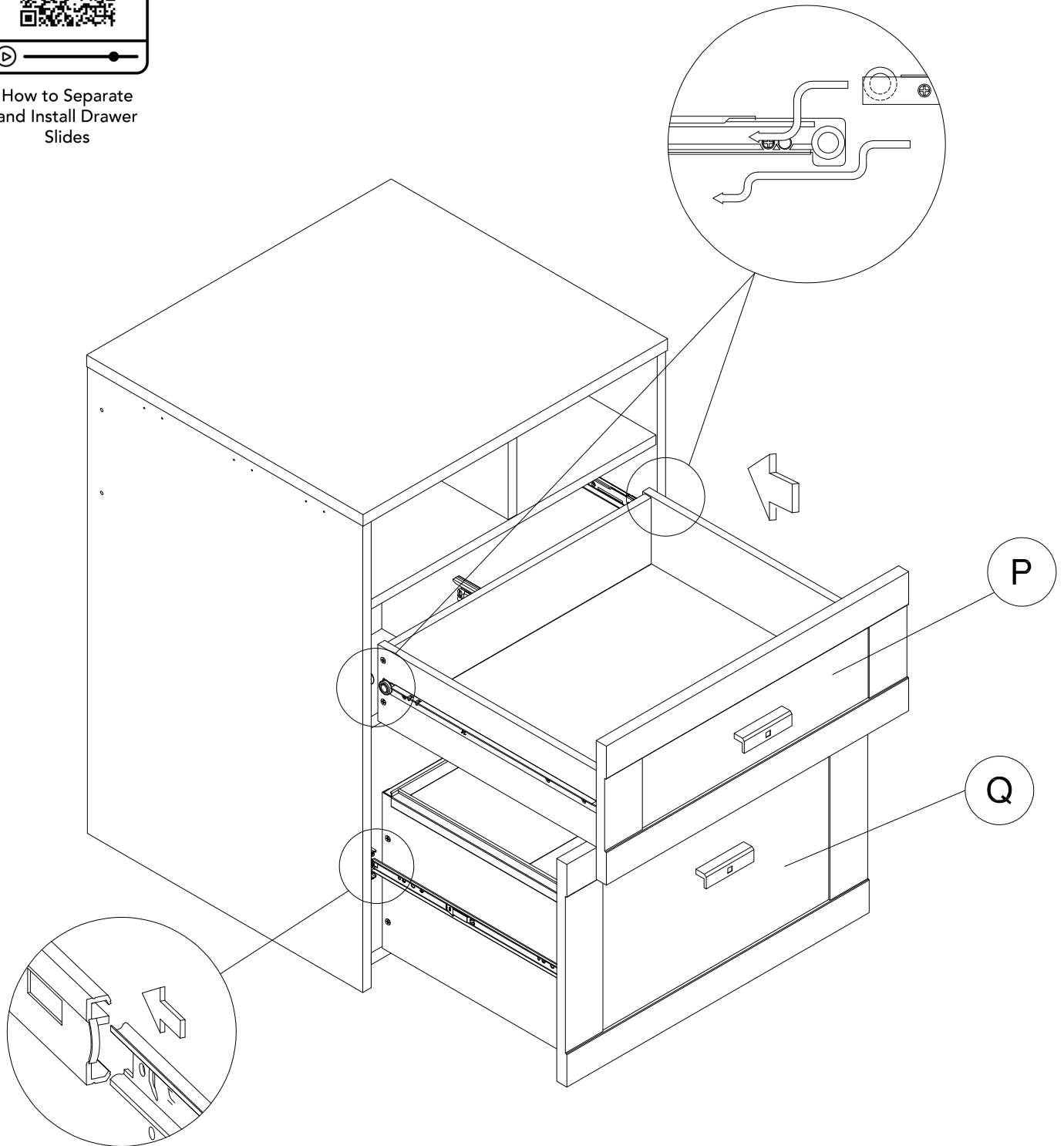
Insert Drawers

A190629D

Scan QR Code to
Watch Video on:



How to Separate
and Install Drawer
Slides



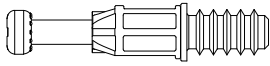
Have an assembly question or need a replacement part? Just call
1-800-950-4782, we are here to help.

STEP 20

Prepare Panels

A190629D

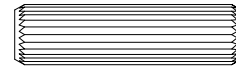
H72988



KD Bolt

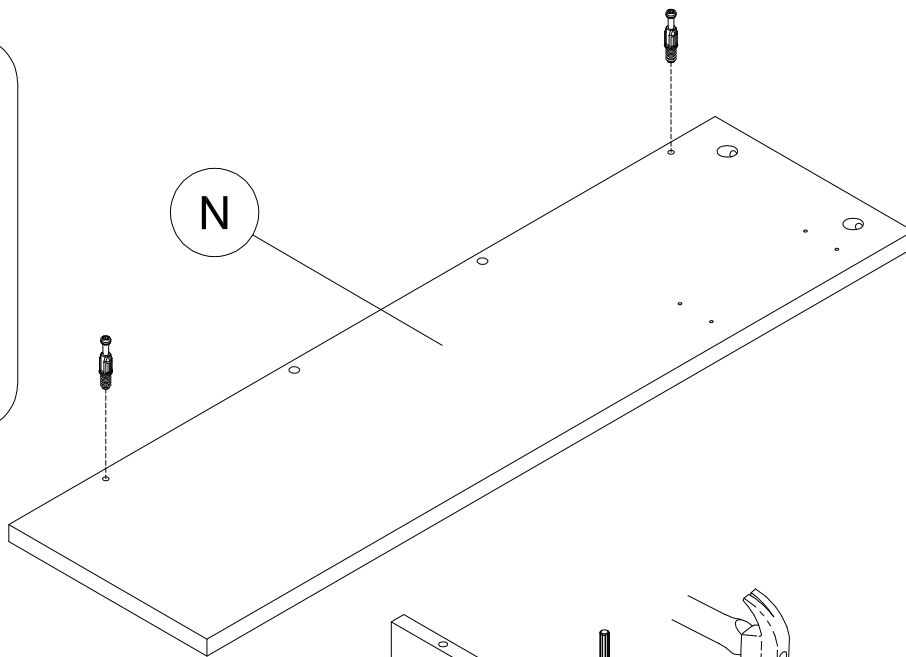
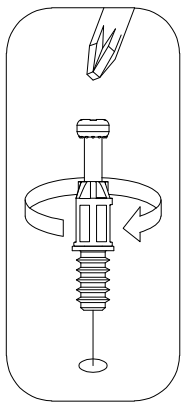
[4]

H38169

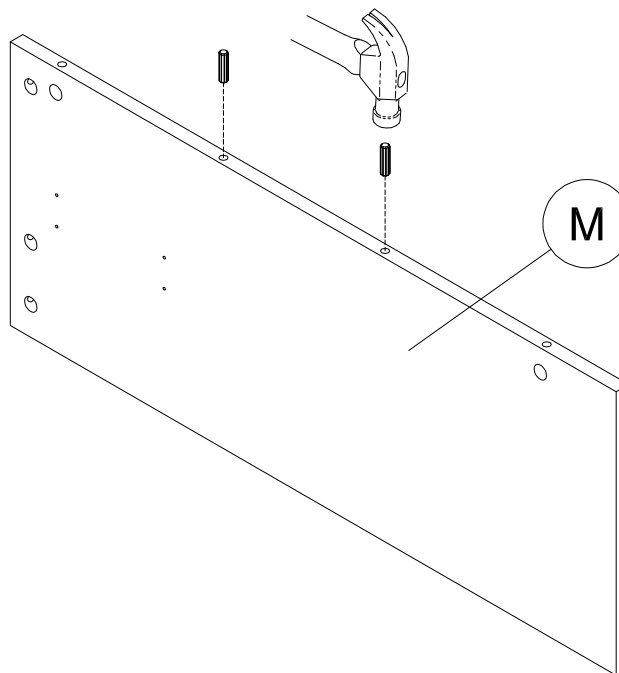


Wood Dowel
8 x 30mm

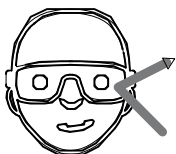
[4]



2 x



2 x



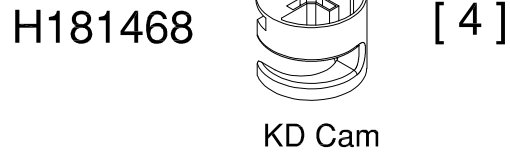
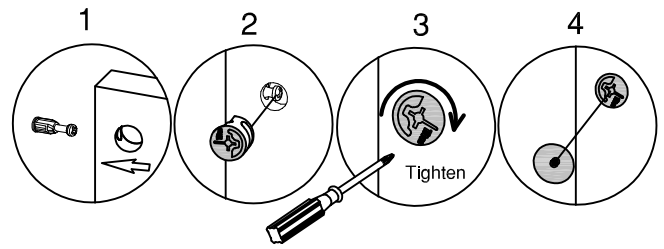
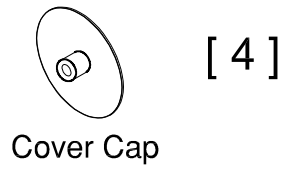
Safety glasses
Gafas de seguridad
Lunettes de protection

Have an assembly question or need a replacement part? Just call
1-800-950-4782, we are here to help.

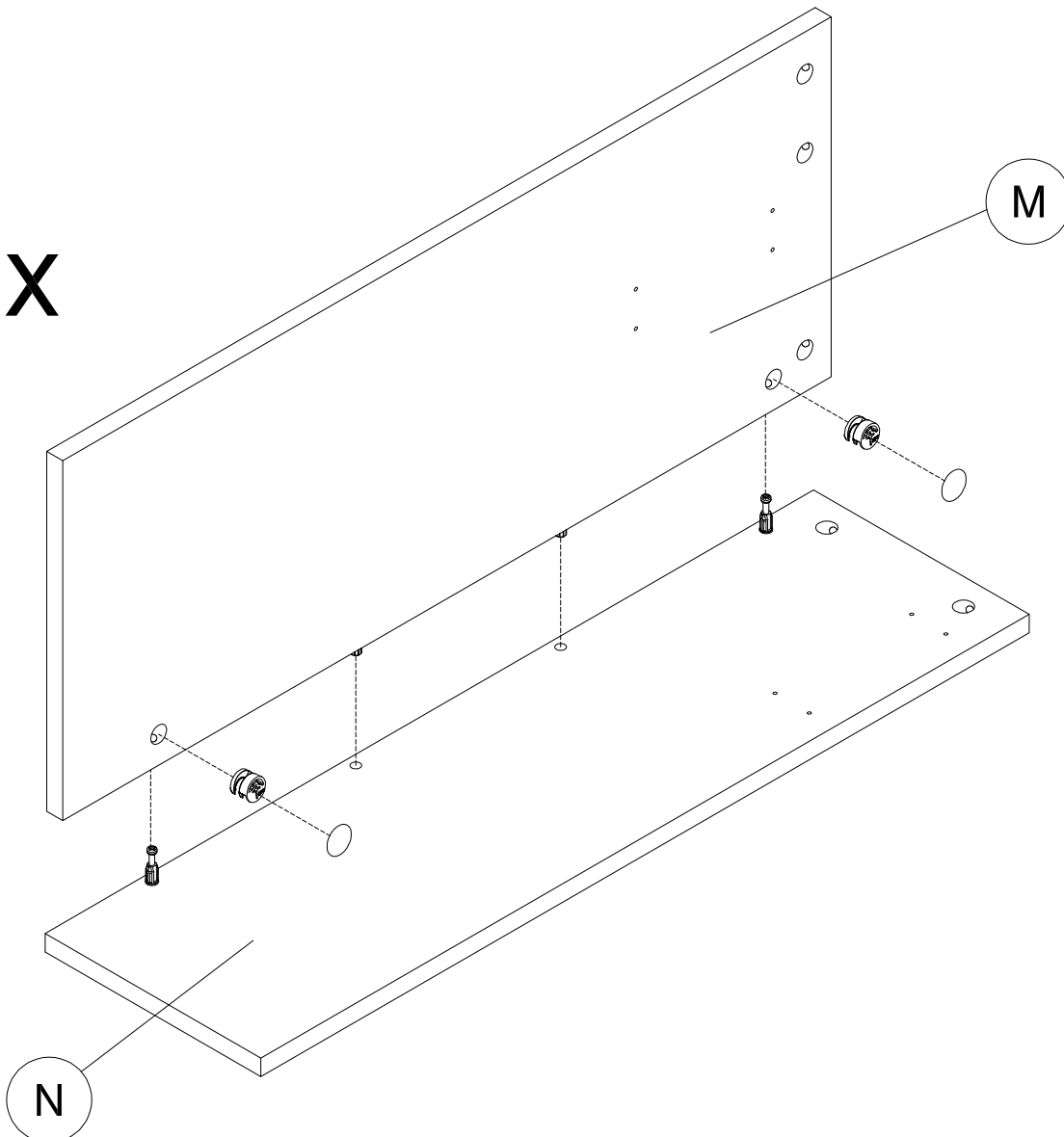
Scan QR Code to Watch Video on:



How to Tighten KD Cams



2 x



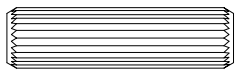
Have an assembly question or need a replacement part? Just call **1-800-950-4782**, we are here to help.

STEP 22

Prepare Panel

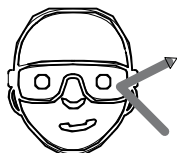
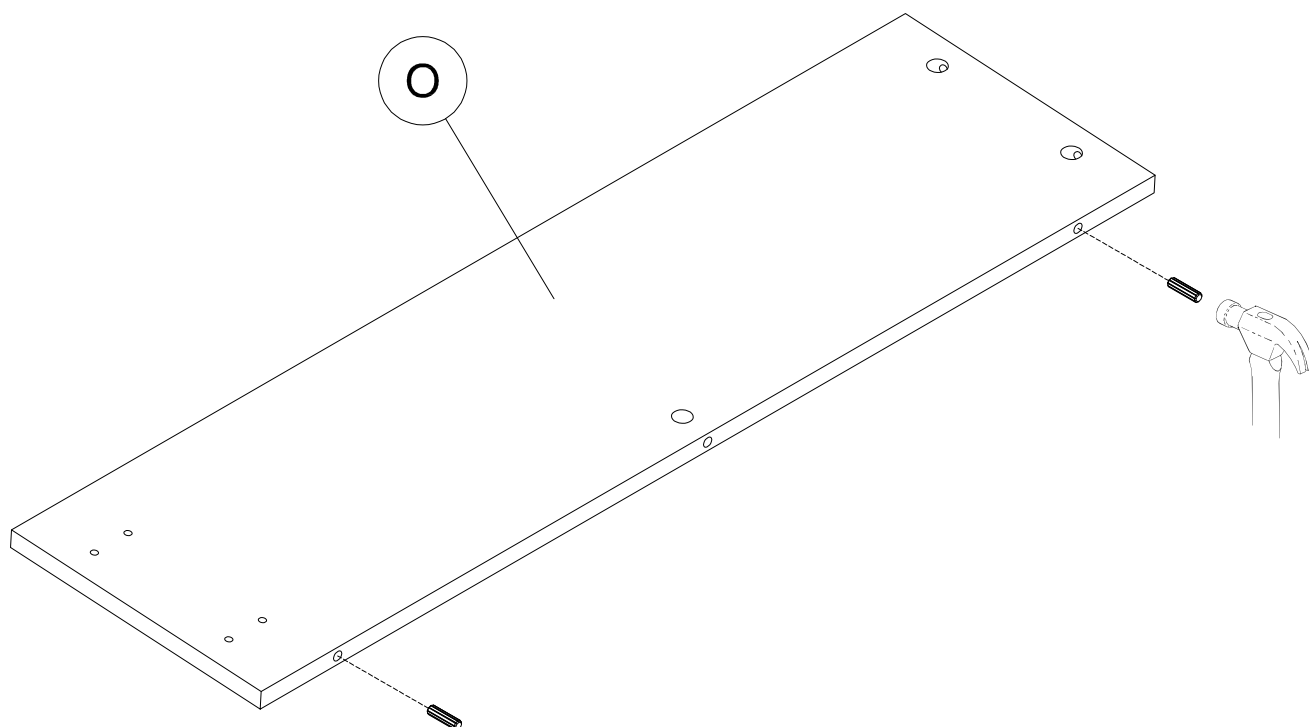
A190629D

H38169



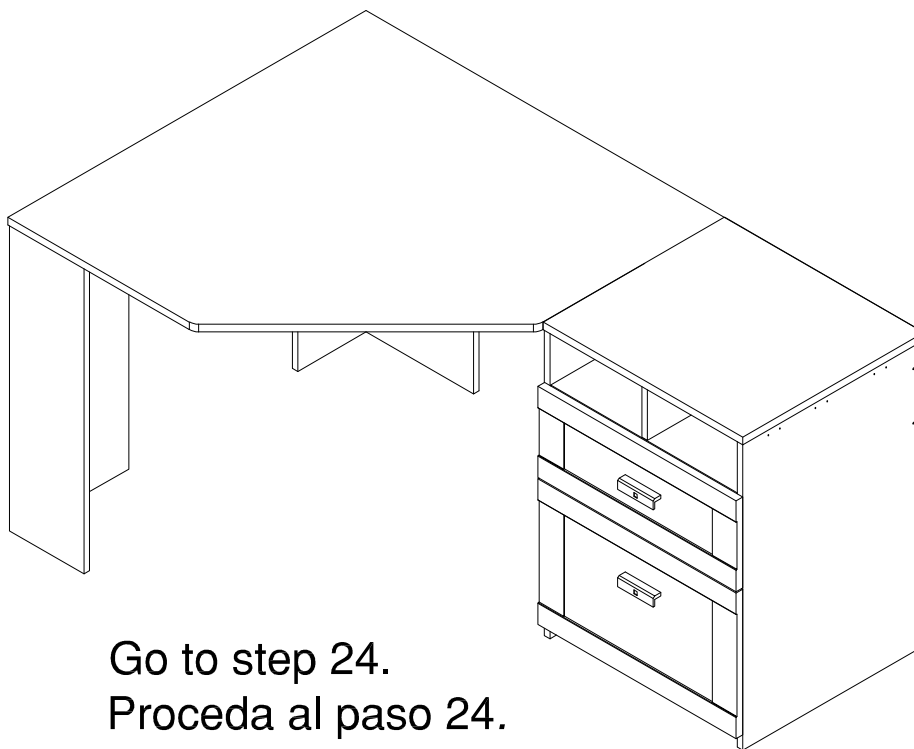
[2]

Wood Dowel
8 x 30mm



Safety glasses
Gafas de seguridad
Lunettes de protection

Have an assembly question or need a replacement part? Just call
1-800-950-4782, we are here to help.



Go to step 24.
Proceda al paso 24.
Allez à l'étape 24.



Go to step 31.
Proceda al paso 31.
Allez à l'étape 31.

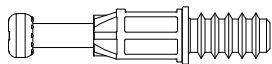
Have an assembly question or need a replacement part? Just call
1-800-950-4782, we are here to help.

STEP 24

Prepare Panel

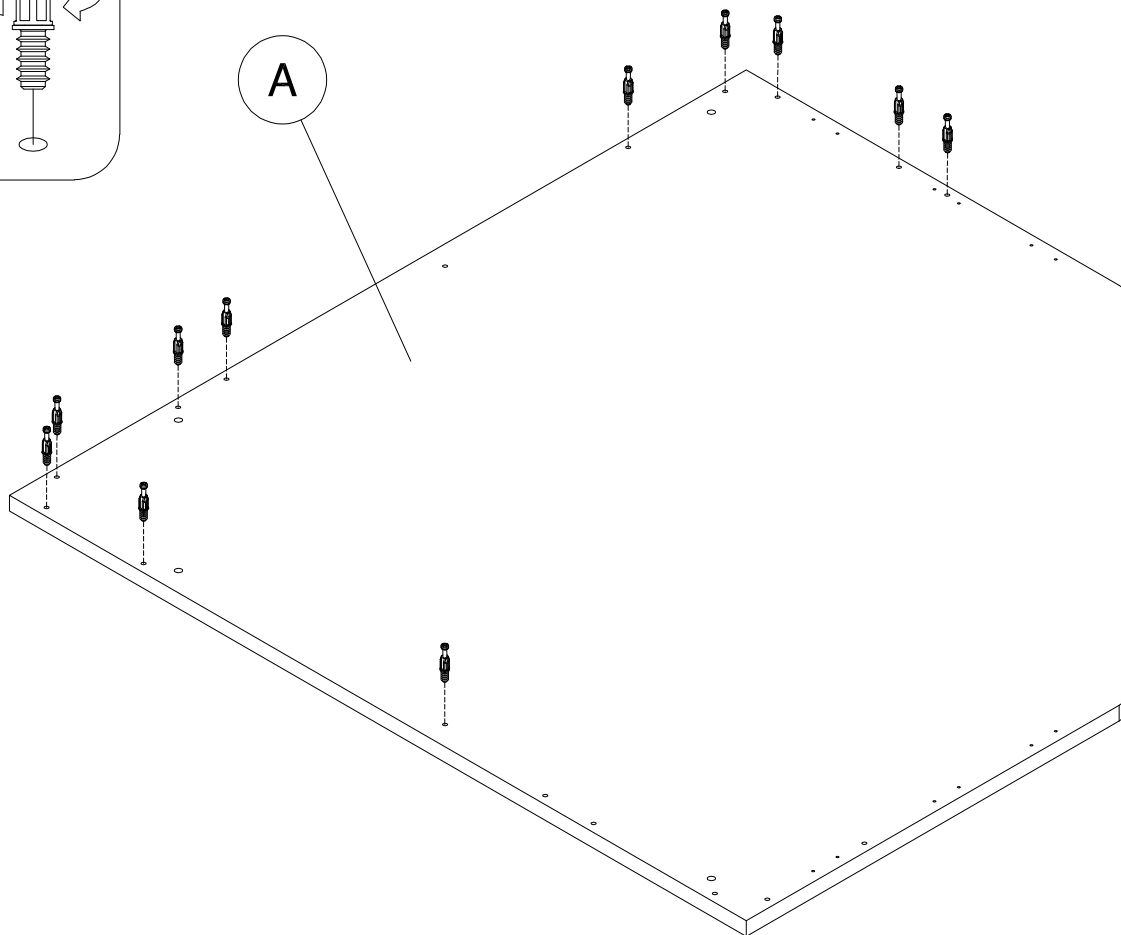
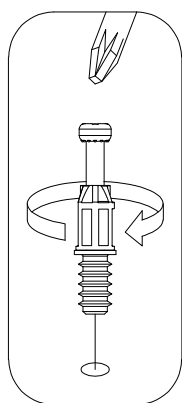
A190629D

H72988



[11]

KD Bolt



Have an assembly question or need a replacement part? Just call
1-800-950-4782, we are here to help.

STEP 25

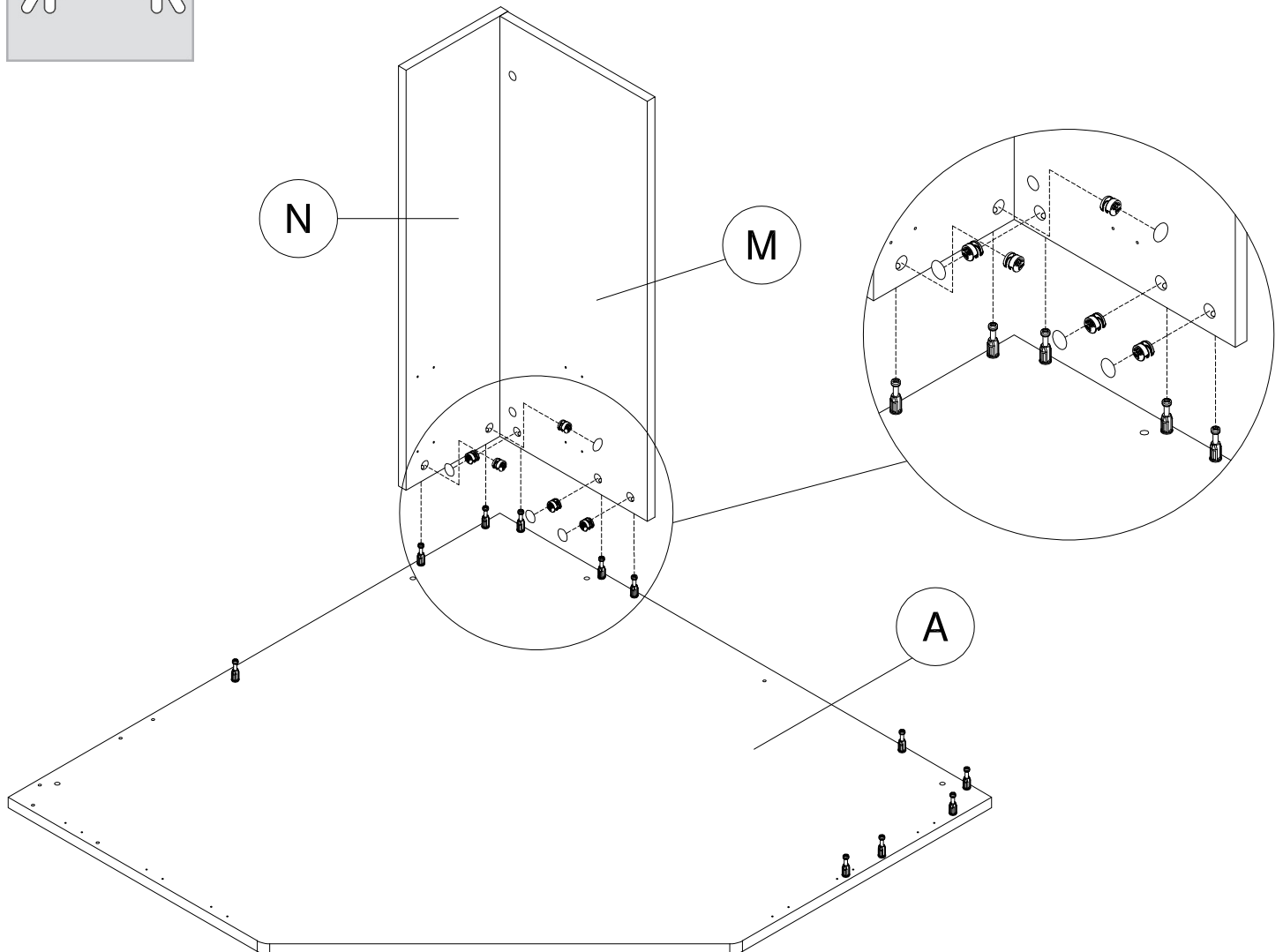
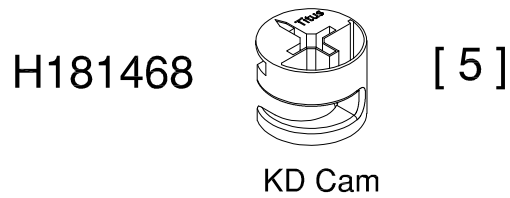
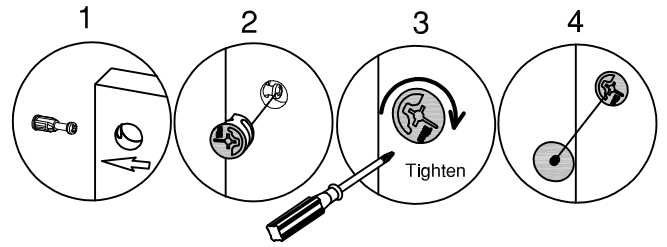
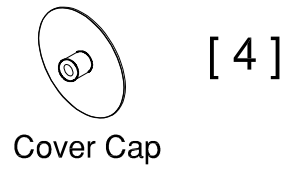
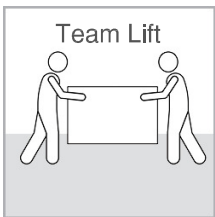
Assemble Panel

A190629D

Scan QR Code to Watch Video on:



How to Tighten KD Cams



Have an assembly question or need a replacement part? Just call
1-800-950-4782, we are here to help.

STEP 26

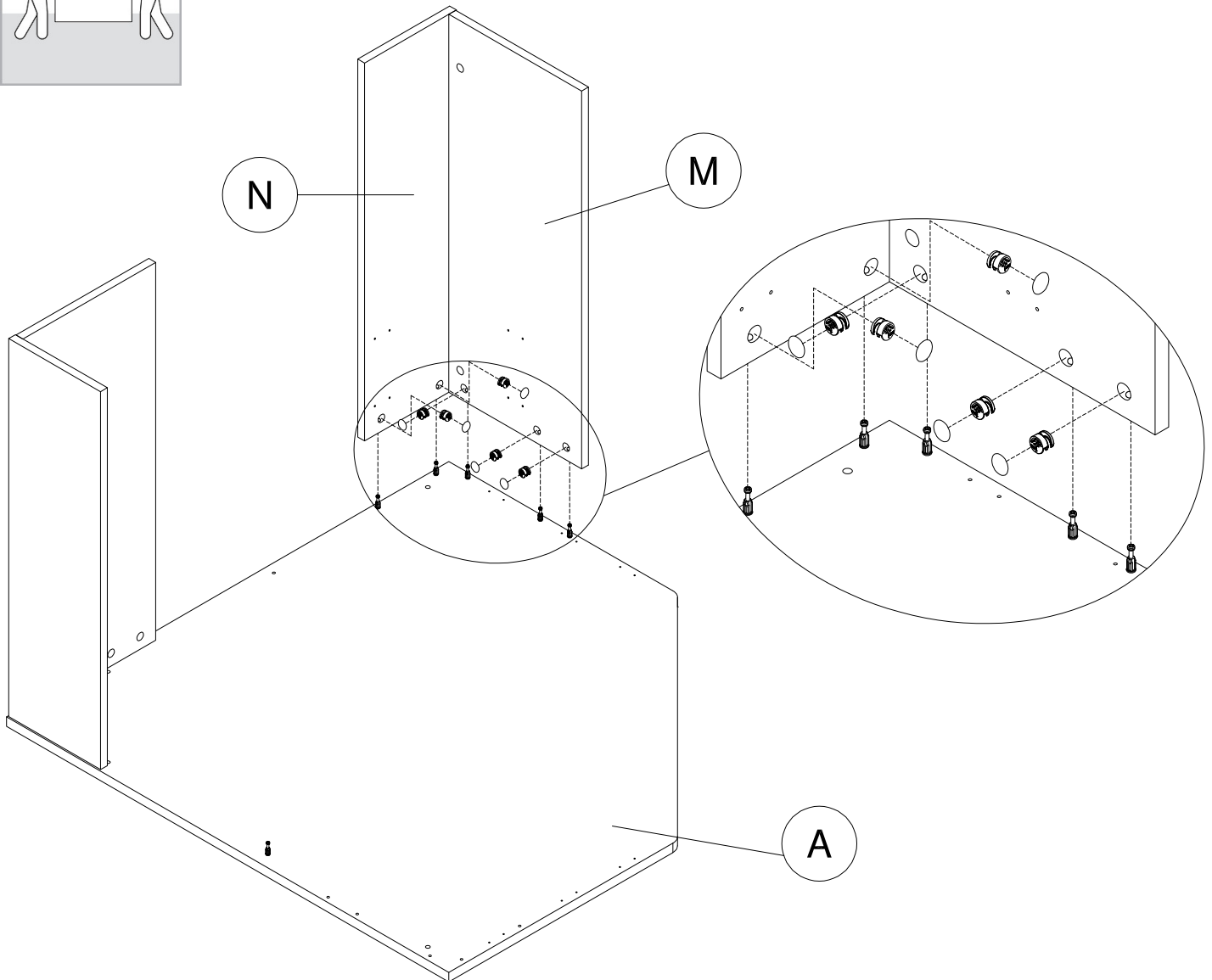
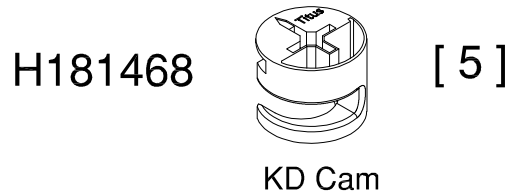
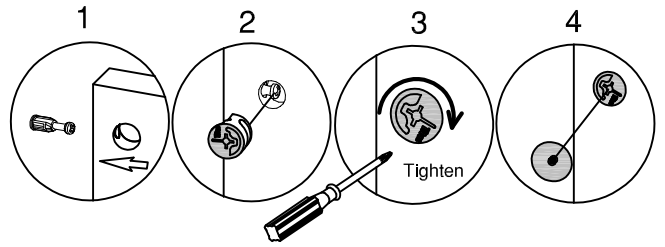
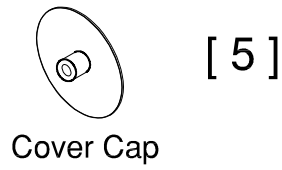
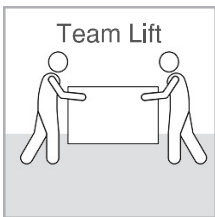
Assemble Panel

A190629D

Scan QR Code to Watch Video on:



How to Tighten KD Cams



Have an assembly question or need a replacement part? Just call **1-800-950-4782**, we are here to help.

STEP 27

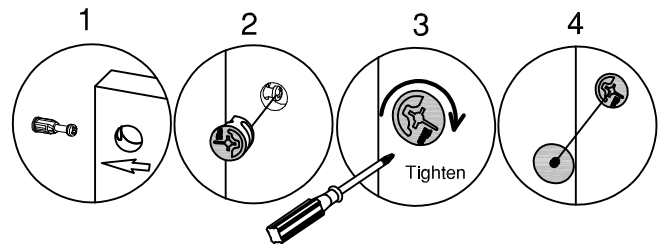
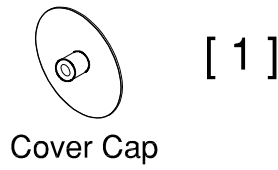
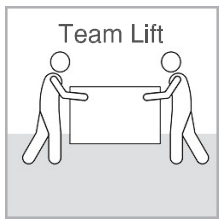
Assemble Panel

A190629D

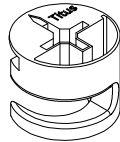
Scan QR Code to Watch Video on:



How to Tighten KD Cams

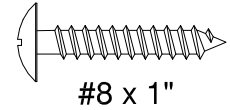


H181468

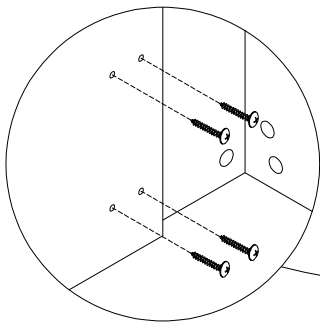
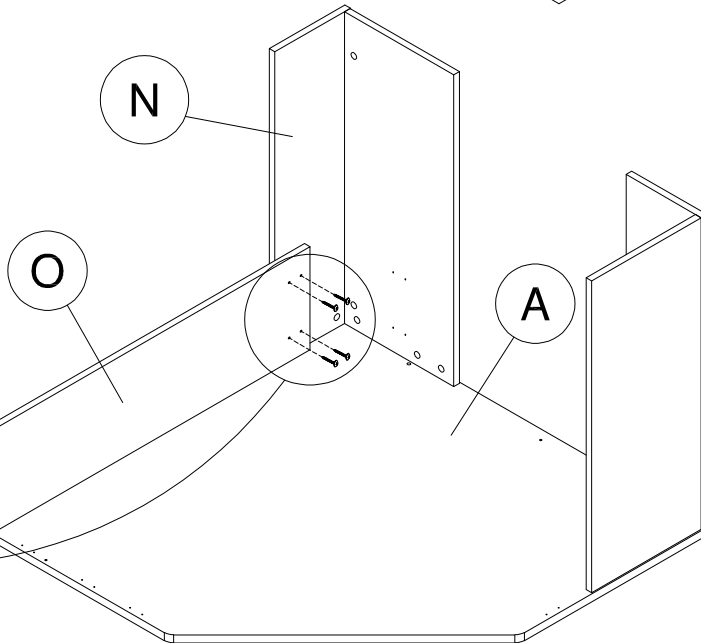
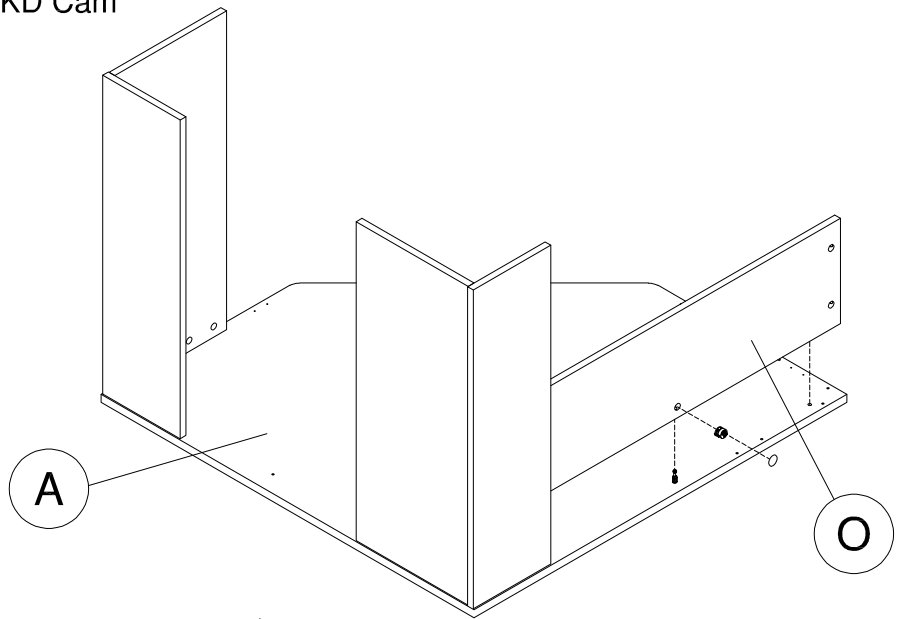
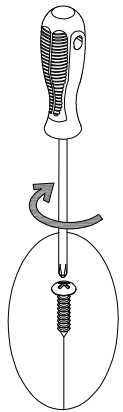


KD Cam

H150019



#8 x 1"

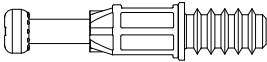


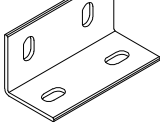
Have an assembly question or need a replacement part? Just call **1-800-950-4782**, we are here to help.

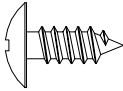
STEP 28

Install Hardware

A190629D

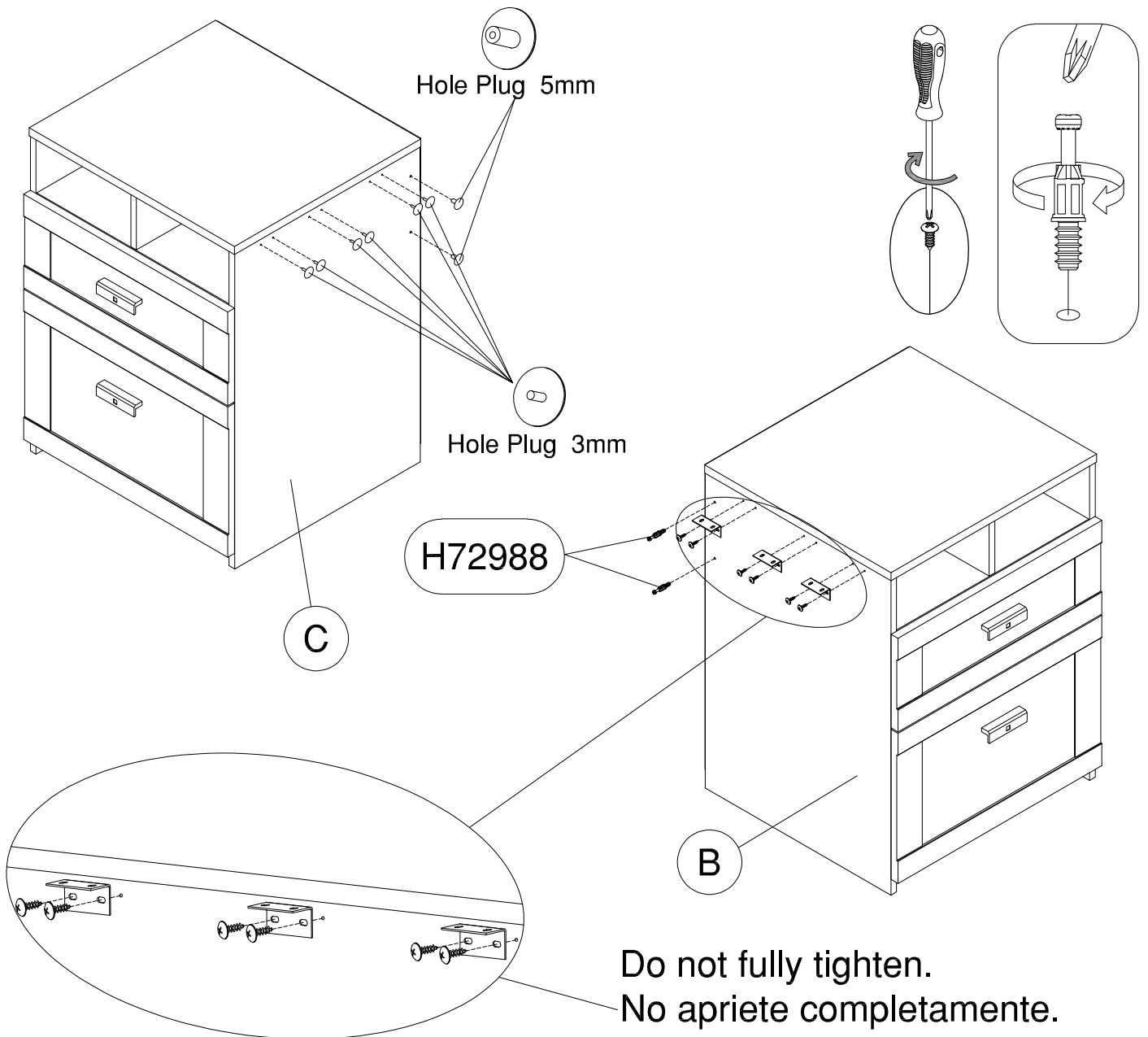
H72988  [2]
KD Bolt

H146872  [3]
L Bracket

H35251  [6]
#10 x 1/2"

 [6]
Hole Plug 3mm

 [2]
Hole Plug 5mm

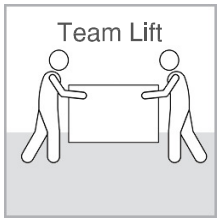


Have an assembly question or need a replacement part? Just call
1-800-950-4782, we are here to help.

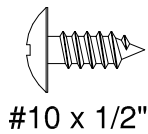
STEP 29

Assemble Work Surface

A190629D

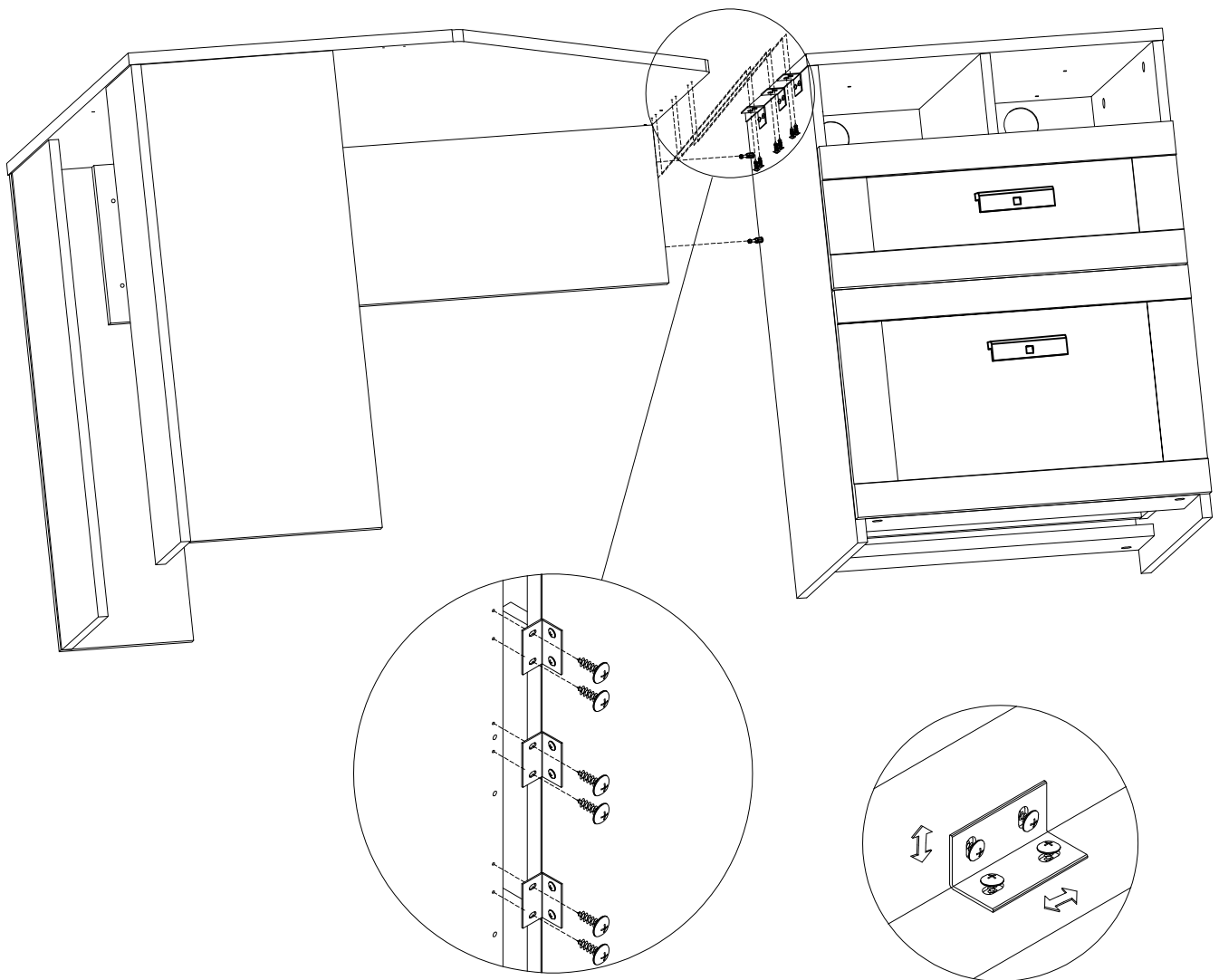
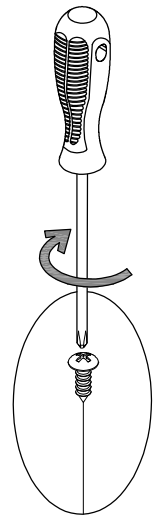


H35251



[6]

Tighten all screws.
Apriete todos los tornillos.
Serrez toutes les vis.

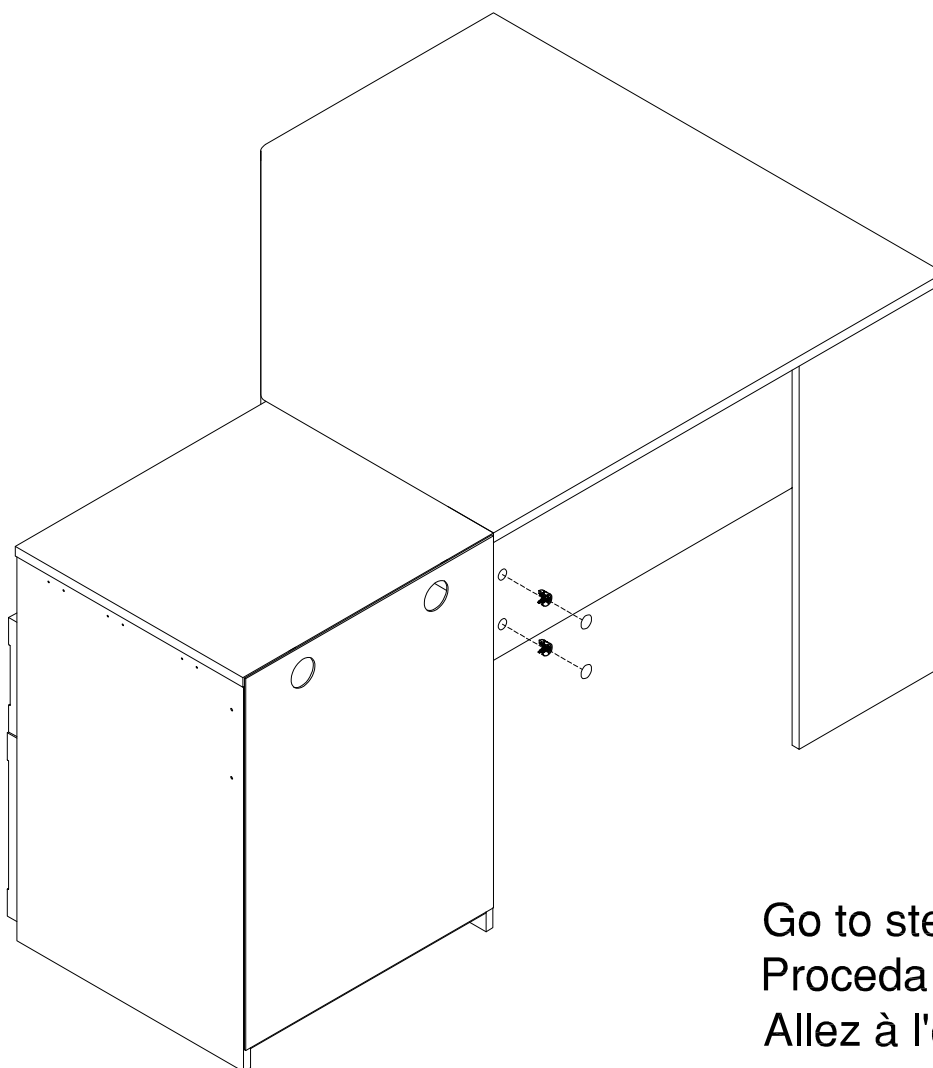
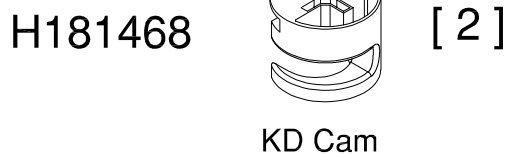
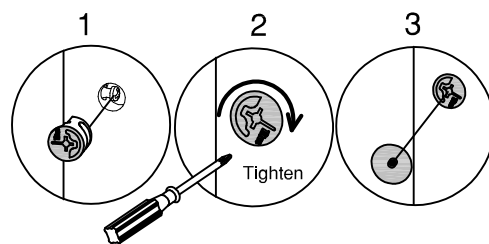
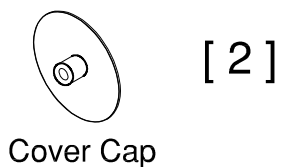


Have an assembly question or need a replacement part? Just call
1-800-950-4782, we are here to help.

Scan QR Code to Watch Video on:



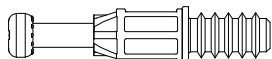
How to Tighten KD Cams



Go to step 37.
Proceda al paso 37.
Allez à l'étape 37.

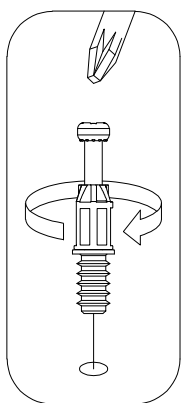
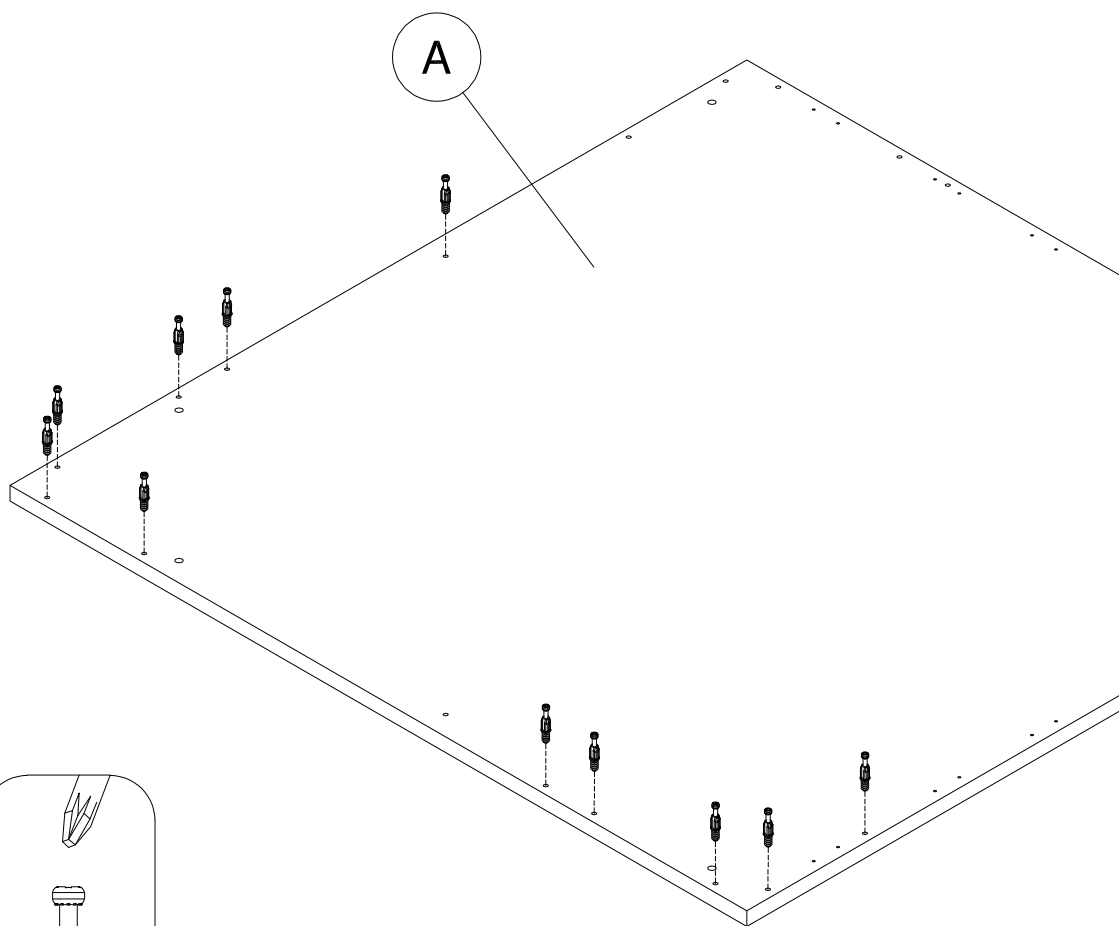
Have an assembly question or need a replacement part? Just call **1-800-950-4782**, we are here to help.

H72988



KD Bolt

[11]

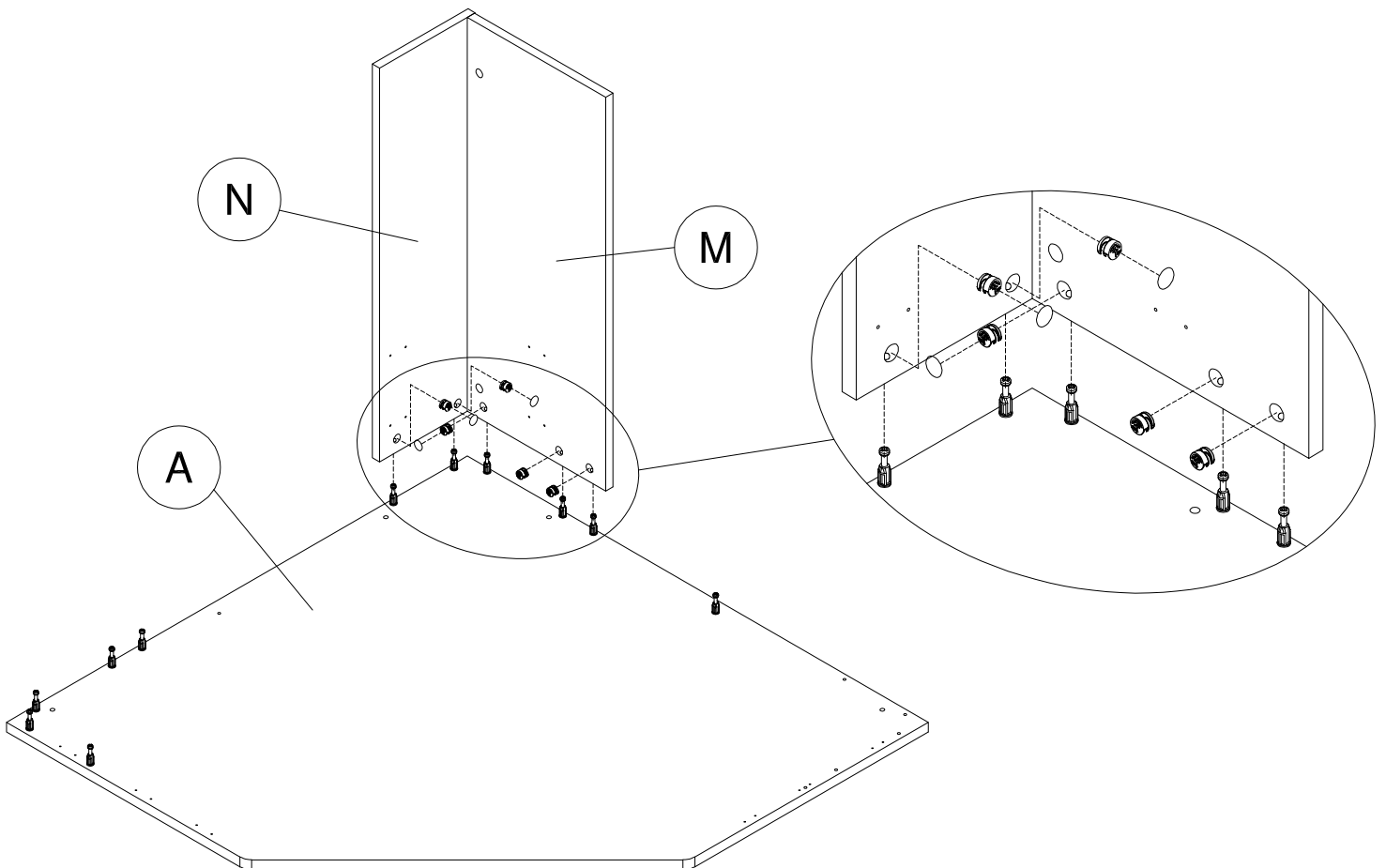
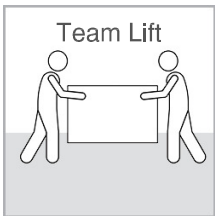
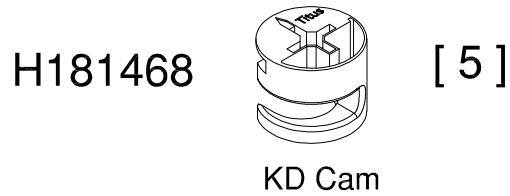
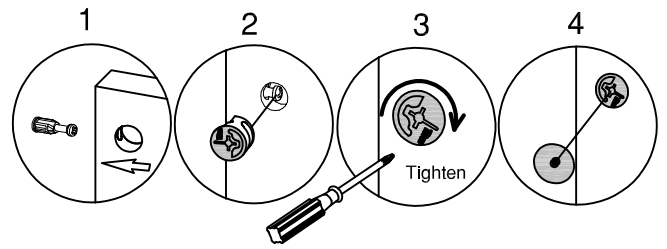
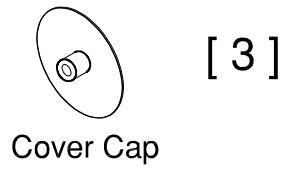


Have an assembly question or need a replacement part? Just call
1-800-950-4782, we are here to help.

Scan QR Code to Watch Video on:



How to Tighten KD Cams

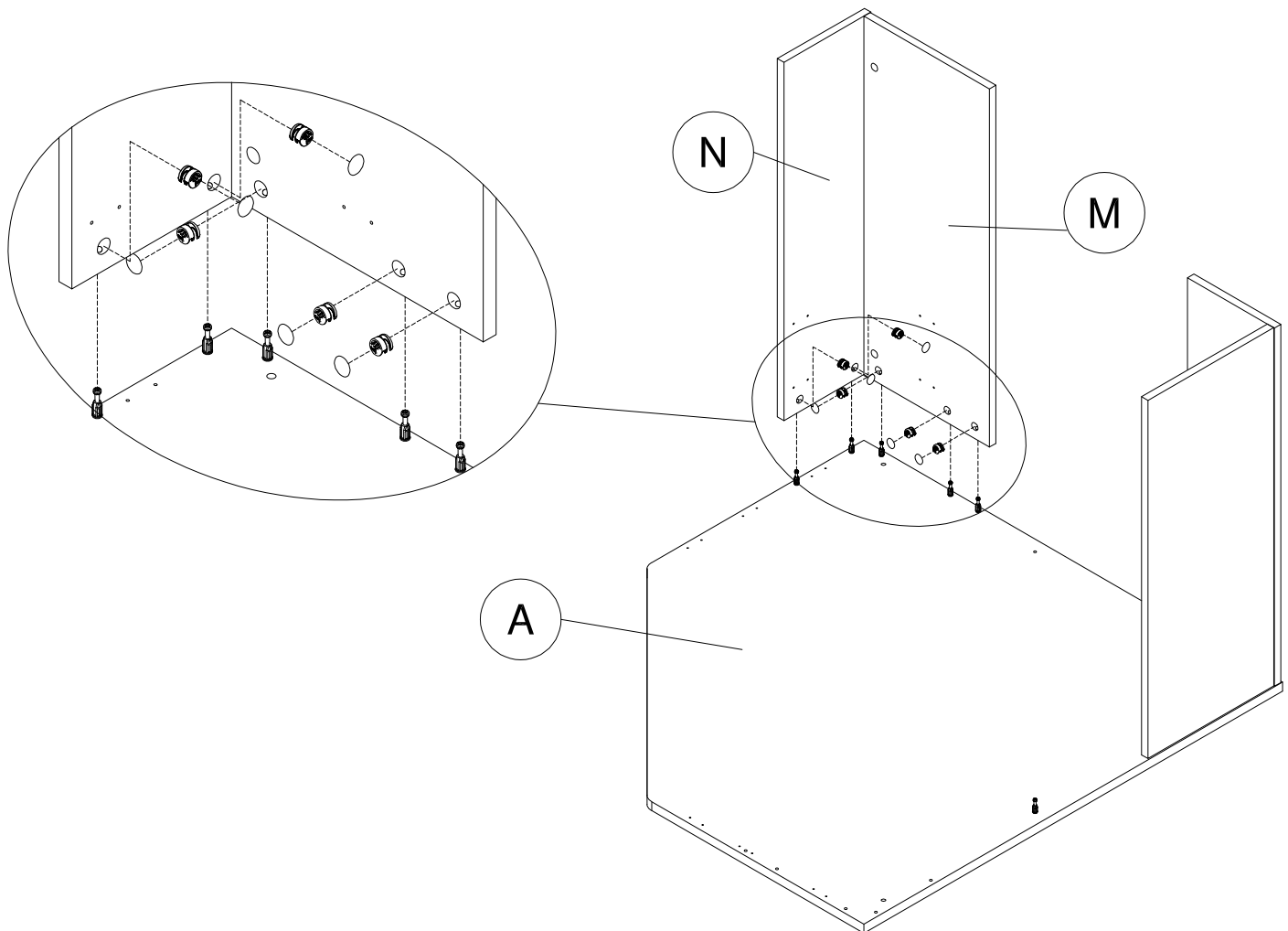
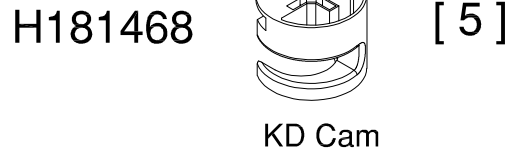
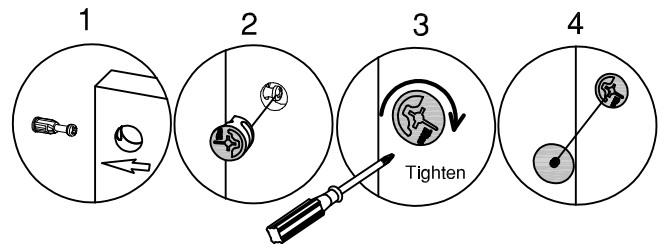
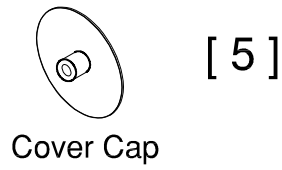
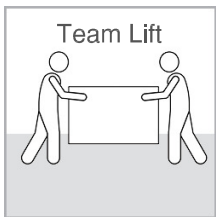


Have an assembly question or need a replacement part? Just call **1-800-950-4782**, we are here to help.

Scan QR Code to Watch Video on:



How to Tighten KD Cams



Have an assembly question or need a replacement part? Just call **1-800-950-4782**, we are here to help.

STEP 34

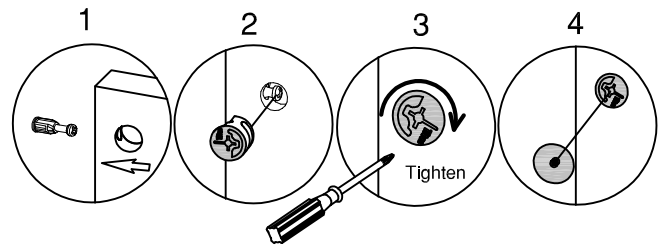
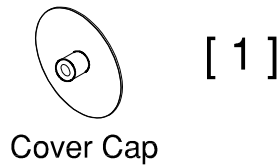
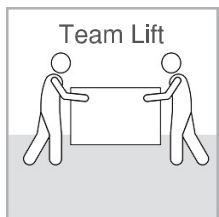
Assemble Panel

A190629D

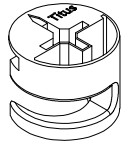
Scan QR Code to Watch Video on:



How to Tighten KD Cams

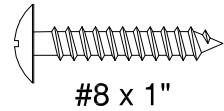


H181468

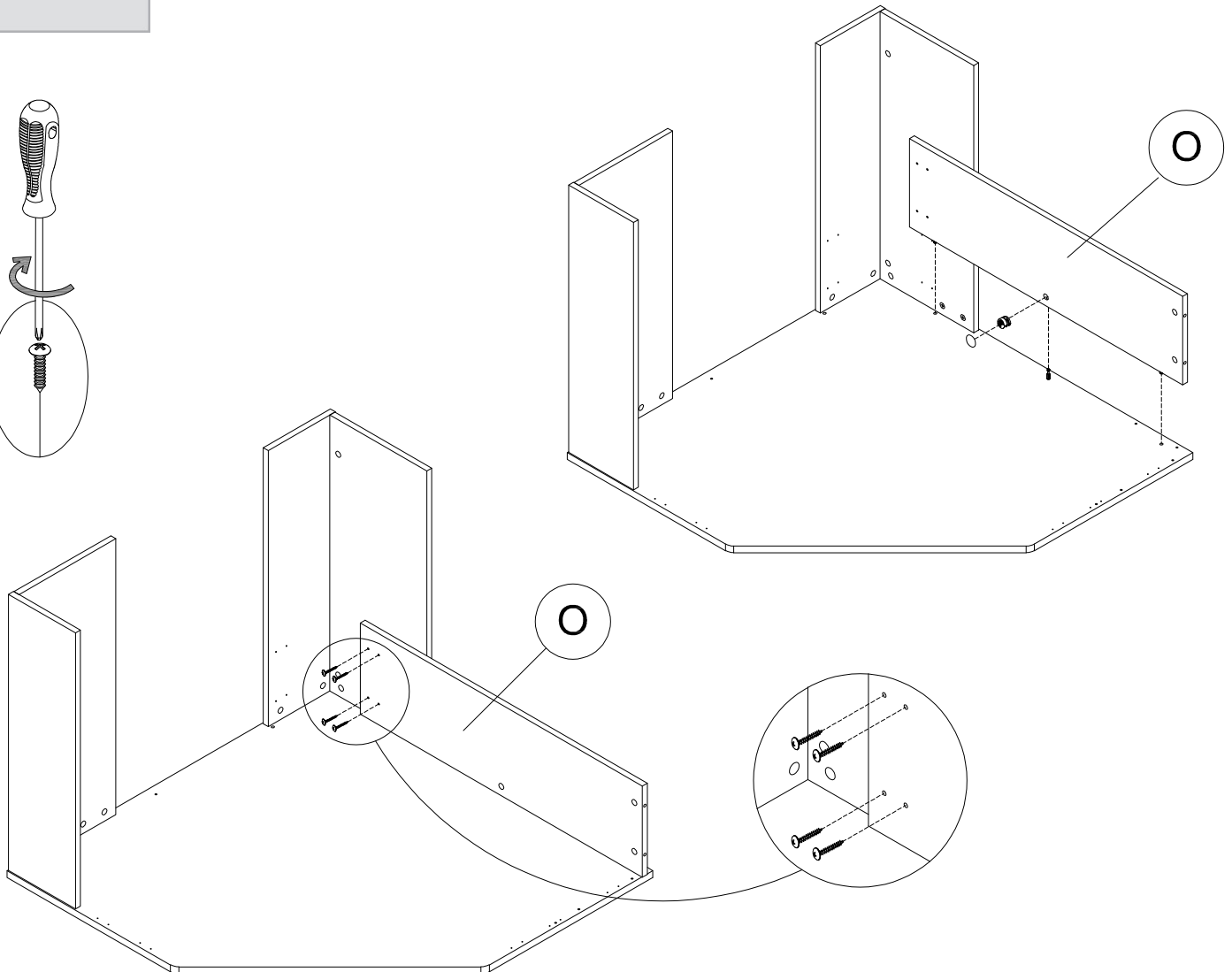
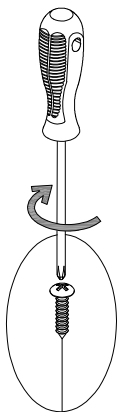


KD Cam

H150019



#8 x 1"

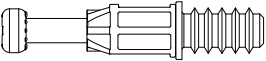


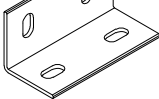
Have an assembly question or need a replacement part? Just call **1-800-950-4782**, we are here to help.

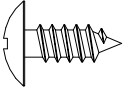
STEP 35

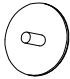
Install Hardware

A190629D

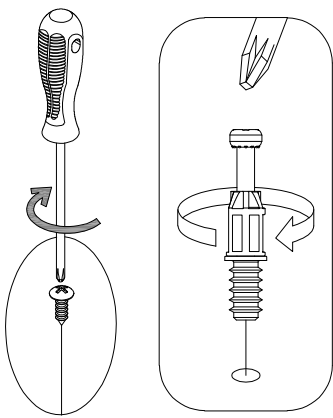
H72988  [2]
KD Bolt


H146872  [3]
L Bracket


H35251  [6]
#10 x 1/2"

 [6]
Hole Plug 3mm

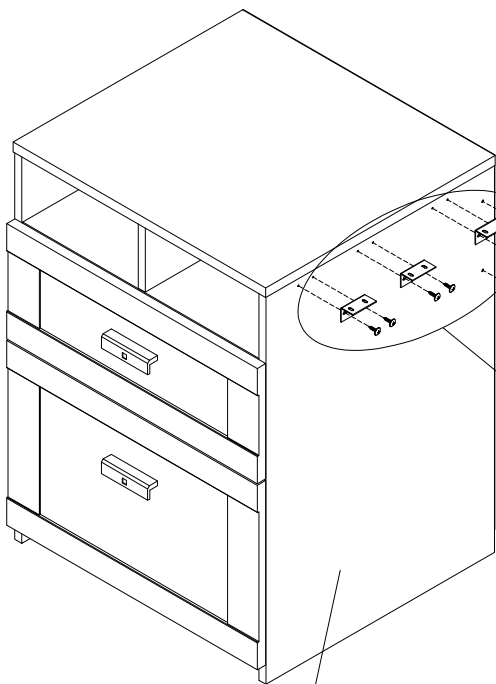
 [2]
Hole Plug 5mm



 Hole Plug 5mm

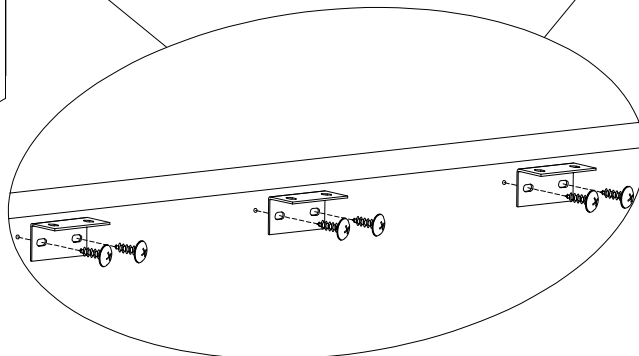
 Hole Plug 3mm

B



H72988

Do not fully tighten.
No apriete completamente.
Ne pas visser a fond.



Have an assembly question or need a replacement part? Just call
1-800-950-4782, we are here to help.

STEP 36

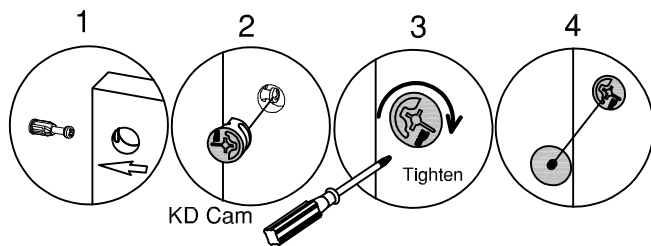
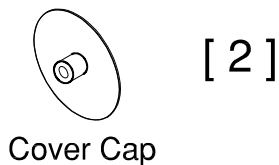
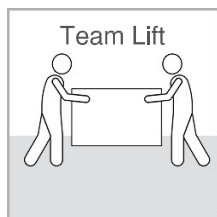
Assemble Work Surface

A190629D

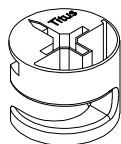
Scan QR Code to Watch Video on:



How to Tighten KD Cams



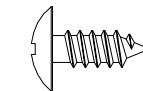
H181468



KD Cam

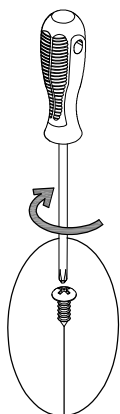
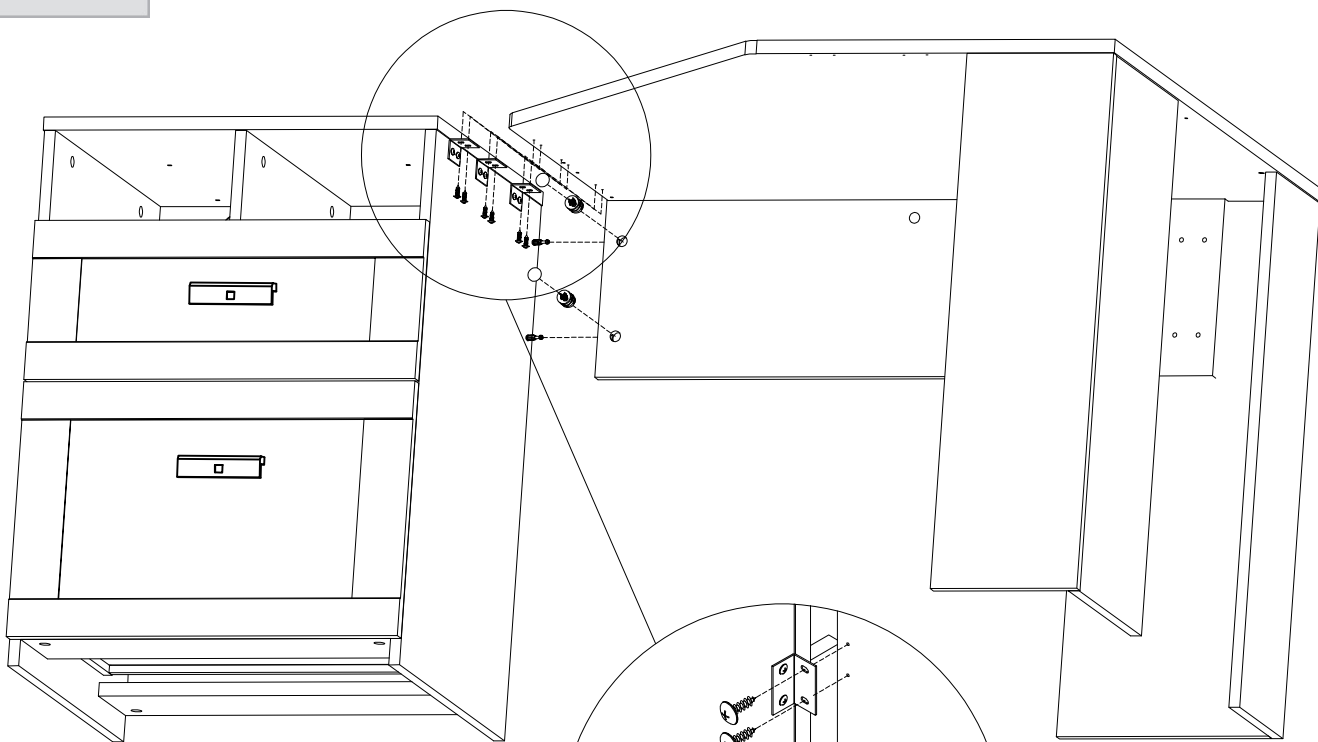
[2]

H35251

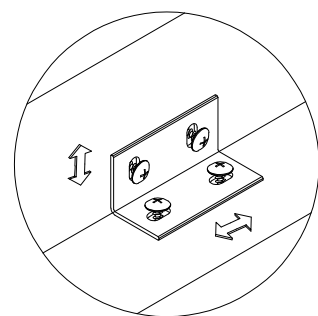
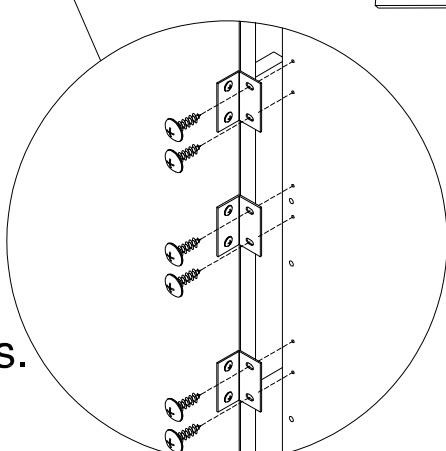


#10 x 1/2"

[6]



Tighten all screws.
Apriete todos los tornillos.
Serrez toutes les vis.



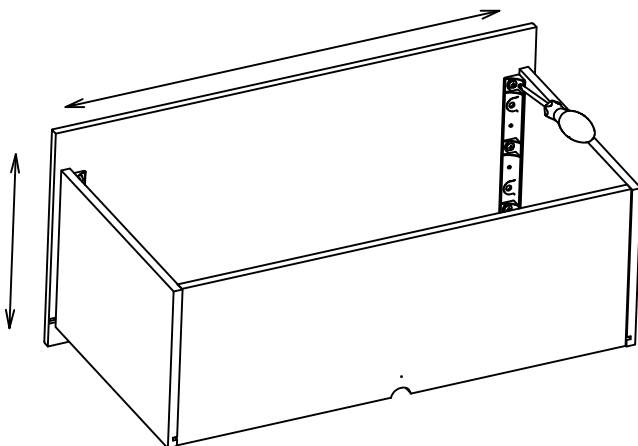
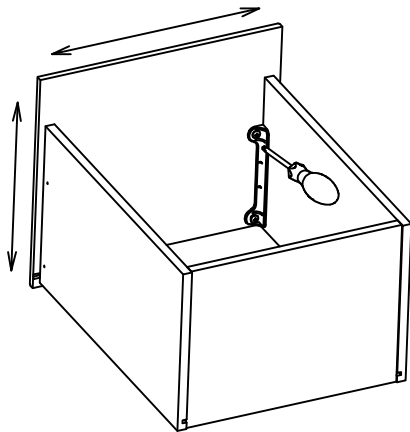
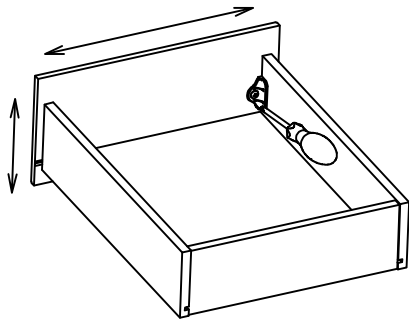
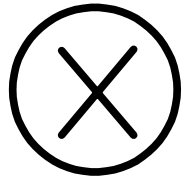
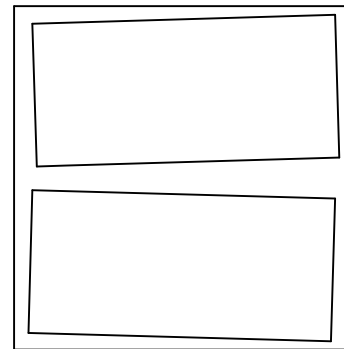
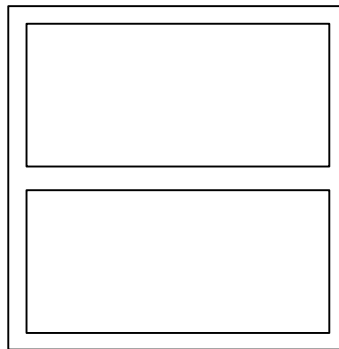
Have an assembly question or need a replacement part? Just call **1-800-950-4782**, we are here to help.

Scan QR Code to Watch Video on:



How to Adjust Drawer Fronts

DRAWER FRONT VIEW



REQUIRED TOOL: PHILLIPS SCREWDRIVER

HERRAMIENTA REQUERIDA: DESTORNILLADOR PHILLIPS
 OUTIL REQUIS: TOURNEVIS CRUCIFORME



1. LOOSEN SCREWS.
2. ADJUST DRAWER FRONTS.
3. TIGHTEN SCREWS.

1. Afloje los tornillos
2. Ajustar frentes de cajón
3. Apriete los tornillos

1. Desserrer les vis
2. Ajuster les façades des tiroirs
3. Serrer les vis

Have an assembly question or need a replacement part? Just call **1-800-950-4782**, we are here to help.

STEP 38

Maximum Loading and Cleaning

A190629D

Scan QR Code to
Watch Video on:

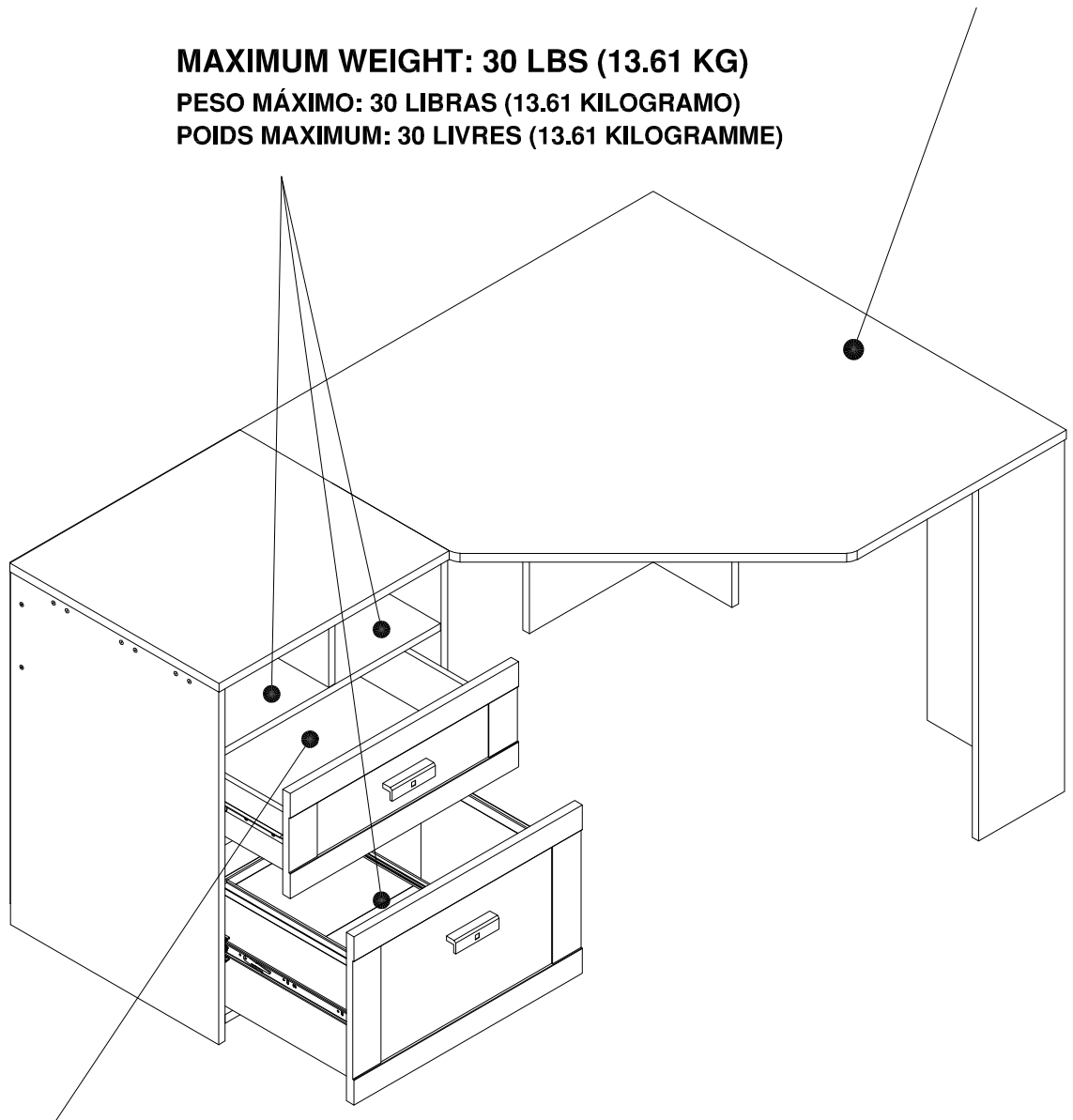


How to Clean
the Surface

Gently clean
surfaces with a damp
sponge eraser.

MAXIMUM WEIGHT: 200 LBS (90.72 KG)
PESO MÁXIMO: 200 LIBRAS (90.72 KILOGRAMO)
POIDS MAXIMUM: 200 LIVRES (90.72 KILOGRAMME)

MAXIMUM WEIGHT: 30 LBS (13.61 KG)
PESO MÁXIMO: 30 LIBRAS (13.61 KILOGRAMO)
POIDS MAXIMUM: 30 LIVRES (13.61 KILOGRAMME)



MAXIMUM WEIGHT: 15 LBS (6.8 KG)
PESO MÁXIMO: 15 LIBRAS (6.8 KILOGRAMO)
POIDS MAXIMUM: 15 LIVRES (6.8 KILOGRAMME)

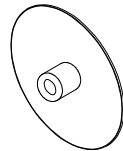
Congratulations! You are all done. If you
have any questions or concerns, please call.

Have an assembly question or need a replacement part? Just call
1-800-950-4782, we are here to help.

MY72713A

A [1] W153697	J [1] W156248	S [1] W156247
B [1] W211260	K [1] W156250	T [1] W156249
C [1] W211261	L [1] W156251	
D [1] W156232	M [2] W156230	
E [1] W156233	N [2] W156229	
F [1] W175336	O [1] W156231	
G [2] W156234	P [1] S208692	
H [1] W211262	Q [1] S208693	
I [1] W211263	R [2] W156245	

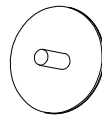
H160399



[22]

Cover Cap

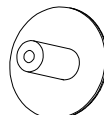
H153274



[6]

Hole Plug 3mm

H153273



[2]

Hole Plug 5mm

H34174



[29]

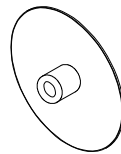
3 x 3/4"

Have an assembly question or need a replacement part? Just call
1-800-950-4782, we are here to help.

MY72813

A [1] W174969	J [1] W174978	S [1] W174987
B [1] W211264	K [1] W174979	T [1] W174988
C [1] W211265	L [1] W174980	
D [1] W174972	M [2] W174981	
E [1] W174973	N [2] W174982	
F [1] W174974	O [1] W174983	
G [2] W174975	P [1] S208694	
H [1] W211266	Q [1] S208695	
I [1] W211267	R [2] W174986	

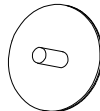
H175041



[22]

Cover Cap

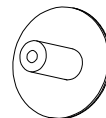
H153274



[6]

Hole Plug 3mm

H153273



[2]

Hole Plug 5mm

H34174



[29]

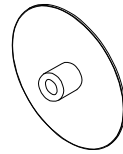
3 x 3/4"

Have an assembly question or need a replacement part? Just call
1-800-950-4782, we are here to help.

MY72113

A [1] W198128	J [1] W198137	S [1] W198147
B [1] W211268	K [1] W198138	T [1] W198148
C [1] W211269	L [1] W198139	
D [1] W198131	M [2] W198140	
E [1] W198132	N [2] W198141	
F [1] W198133	O [1] W198142	
G [2] W198134	P [1] S208696	
H [1] W211270	Q [1] S208697	
I [1] W211271	R [2] W198146	

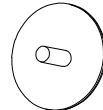
H170595



[22]

Cover Cap

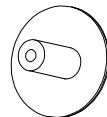
H200209



[6]

Hole Plug 3mm

H182573



[2]

Hole Plug 5mm

H186067



[29]

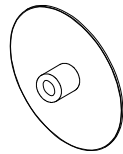
#3 x 3/4" NICKEL

Have an assembly question or need a replacement part? Just call
1-800-950-4782, we are here to help.

MY72213

A [1] W198149	J [1] W198158	S [1] W198167
B [1] W211272	K [1] W198159	T [1] W198168
C [1] W211273	L [1] W198160	
D [1] W198152	M [2] W198161	
E [1] W198153	N [2] W198162	
F [1] W198154	O [1] W198163	
G [2] W198155	P [1] S208698	
H [1] W211274	Q [1] S208699	
I [1] W211275	R [2] W198166	

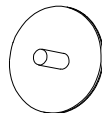
H200206



[22]

Cover Cap

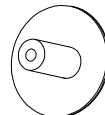
H200208



[6]

Hole Plug 3mm

H200207



[2]

Hole Plug 5mm

H34174



[29]

3 x 3/4"

Have an assembly question or need a replacement part? Just call
1-800-950-4782, we are here to help.

THIS PAGE INTENTIONALLY LEFT BLANK

THIS PAGE INTENTIONALLY LEFT BLANK

WARRANTY INFORMATION/INFORMATIONS POUR LA GARANTIE/INFORMACIÓN DE GARANTÍA

BUSH FURNITURE'S WRITTEN WARRANTY TO YOU

In order to provide you with timely assistance, please thoroughly inspect your furniture for missing or defective parts immediately after opening the carton. To receive replacement or missing parts under this warranty, call our Consumer Service Department TOLL-FREE at 1-800-950-4782. Please have the Model, Part, and Lot Numbers found in the instruction manual available for your reference. You will also need your sales receipt or other proof of purchase. Replacement part(s) will be shipped to you at no charge with Bush Industries assuming all shipping and handling charges.

This Bush Furniture product is warranted to the original purchaser at the time of purchase and for a period of one year thereafter.

We warrant to you, the original purchaser, that our furniture and all its parts and components are free of defects in material or workmanship. "Defects," as used in this warranty, is defined as any imperfection which impairs the use of the furniture product.

Our warranty is expressly limited to the replacement of furniture parts and components. For one year after the date of purchase, Bush will replace any parts that are defective in material or workmanship.

This warranty applies under conditions of normal use. Our Bush Furniture products are not intended for outdoor use. This warranty does not cover: 1) defects caused by improper assembly or disassembly; 2) defects occurring after purchase due to product modification, intentional damage, accident, misuse, abuse, negligence or exposure to the elements; and 3) labor or assembly costs. 4) batteries are not included.

IMPLIED WARRANTIES, INCLUDING THE WARRANTY OF MERCHANTABILITY, SHALL NOT EXTEND BEYOND THE DURATION OF THE WRITTEN WARRANTY STATED ABOVE, AND IN NO EVENT SHALL BUSH BE LIABLE FOR INCIDENTAL OR CONSEQUENTIAL DAMAGES RESULTING FROM USE OF THE PRODUCT. Some states do not allow a limitation on how long an implied warranty lasts or the exclusion or limitation of incidental or consequential damages, so the above limitation and exclusion may not apply to you.

This warranty gives you specific legal rights. You may also have other rights that may vary from state to state.

VOTRE GARANTIE BUSH FURNITURE

Afin de vous assister rapidement, veuillez inspecter votre mobilier en détail immédiatement après l'ouverture du carton en cas de pièces manquantes ou défectueuses. Pour recevoir une pièce de rechange ou manquante couverte par cette garantie, appelez notre département de service clientèle GRATUITEMENT au 1-800-950-4782. Veuillez tenir à disposition les numéros de modèle, de pièce et de lot qui se trouvent dans le manuel d'instruction pour votre référence. Vous aurez également besoin de votre reçu ou d'une autre preuve d'achat. La (les) pièce(s) de rechange vous sera (seront) envoyée(s) sans frais, Bush Industries se chargeant de tous les frais d'expédition.

Tout le produit Bush Furniture est garanti à l'acheteur original à partir de la date d'achat pour une période d'un an.

Nous vous garantissons, à vous l'acheteur original, que notre mobilier et toutes ses pièces et composants sont sans défaut de matériau ou de fabrication. Le terme "défauts" utilisé dans cette garantie, est défini comme étant toutes les imperfections qui compromettent l'utilisation du meuble.

Notre garantie est expressément limitée au remplacement des pièces et des composants du mobilier. Pendant un an après la date d'achat, Bush remplacera toute pièce défectueuse dans le matériau ou sa fabrication.

Cette garantie d'applique sous des conditions d'utilisation normale. Nos produits ne sont pas destinés à être utilisés en plein air. Cette garantie ne couvre pas: 1) les défauts causés par un mauvais assemblage ou démontage, 2) les défauts ayant lieu après l'achat et dus à la modification du produit, des dommages intentionnels, des accidents, une mauvaise utilisation, un mauvais traitement, la négligence ou l'exposition aux éléments, et 3) les frais de main d'œuvre ou d'assemblage. 4) les piles ne sont pas incluses.

LES GARANTIES TACITES, Y COMPRIS LA GARANTIE DE QUALITE MARCHANDE, NE S'ETENDRONT PAS AU-DELA DE LA DUREE ECRITE CITEE CI-DESSUS, ET BUSH NE SERA EN AUCUN CAS RESPONSABLE DES DOMMAGES ACCESSOIRES OU INDIRECTS RESULTANT DE L'UTILISATION DU PRODUIT. Certains états ne permettent pas d'appliquer une limite à la durée de la garantie tacite, ni une exclusion ou limitation des dommages accessoires ou indirects; dans ce cas les limitations ou exclusion ci-dessus peuvent ne pas s'appliquer à vous.

Cette garantie vous donne des droits légaux spécifiques. Il se peut que vous ayez également d'autres droits qui peuvent varier d'un état à l'autre.

GARANTIA ESCRITA DE BUSH FURNITURE PARA USTED

Para brindarle asistencia oportuna, por favor, verifique detalladamente que a su mueble no le falte o tenga piezas defectuosas inmediatamente después de abrir la caja. Para recibir un reemplazo o la parte faltante bajo esta garantía, llame a nuestro Departamento de Servicio al Consumidor GRATIS al 1-800-950-4782. Sírvase traer los números de modelo, parte y lote que se encuentran en el manual de instrucciones disponible para su referencia. Además, necesitará el recibo de su compra u otra prueba de compra. La(s) pieza(s) de reemplazo le será(n) enviada(s) sin recargo por Bush Industries asumiendo los gastos de envío y manipuleo.

Todo mueble de Bush Furniture es garantizado al comprador original al momento de la compra y por un periodo de uno año en adelante.

Le garantizamos a usted, el comprador original, que nuestros muebles sus partes y componentes están libres de defectos en materiales o trabajo. "Defectos", según se usa en esta garantía, se define como una imperfección que perjudica el uso del producto mobiliario.

Nuestra garantía se limita expresamente al reemplazo de partes y componentes mobiliarios. Durante uno año después de la fecha de compra, Bush reemplazará cualquier parte defectuosa en material o trabajo.

Esta garantía se aplica bajo condiciones de uso normal. Nuestros productos de Bush Furniture no son para uso en exteriores. Esta garantía no cubre: 1) defectos causados por un ensamblaje o desensamblaje inadecuado; 2) defectos que ocurran después de la compra debido a modificación del producto, daño intencional, accidente, mal uso, abuso, negligencia o exposición a los elementos; y 3) costos de trabajo o ensamblaje. 4) las baterías no están incluidas.

LAS GARANTÍAS IMPLICADAS, INCLUYENDO LA GARANTÍA DE COMERCIABILIDAD, NO SE EXTENDERÁN MÁS ALLÁ DE LA DURACIÓN DE LA GARANTÍA ESCRITA MENCIONADA, Y EN NINGÚN CASO BUSH SERÁ RESPONSABLE POR DAÑOS INCIDENTALES O CONSIGUIENTES COMO RESULTADO DEL USO DEL PRODUCTO. Algunos estados no permiten una limitación sobre el tiempo de duración de la garantía implicada o la exclusión o limitación de daños incidentales o consiguientes, de manera que la limitación y exclusión mencionadas pueden no aplicarse para usted.

Esta garantía le otorga derechos legales específicos. Puede también tener otros derechos que pueden variar según los estados.

1-Year
Manufacturer's
Warranty

Register your product online:

Scan the QR Code or go to
[https://bushfurniture.com/
activate-warranty/](https://bushfurniture.com/activate-warranty/)



Assembly tips & how to videos:

Scan the QR Code to access our video
guides [https://bushfurniture.com/
help-faq/#assembling](https://bushfurniture.com/help-faq/#assembling)

