



XOOTR30_ OVER-THE-RANGE MICROWAVE OVEN + VENTILATION

HOW BEAUTIFUL KITCHENS BREATHE



XOOTR30BS



XOOTR30W

- 1000W | 1.6 cu ft Microwave
- Touch Controls w 10 Power Levels
- Sensor Cooking and Auto-Defrost
- 2 Speed Blower 400CFM MAX

OVER-THE-RANGE MICROWAVE OVEN + VENTILATION

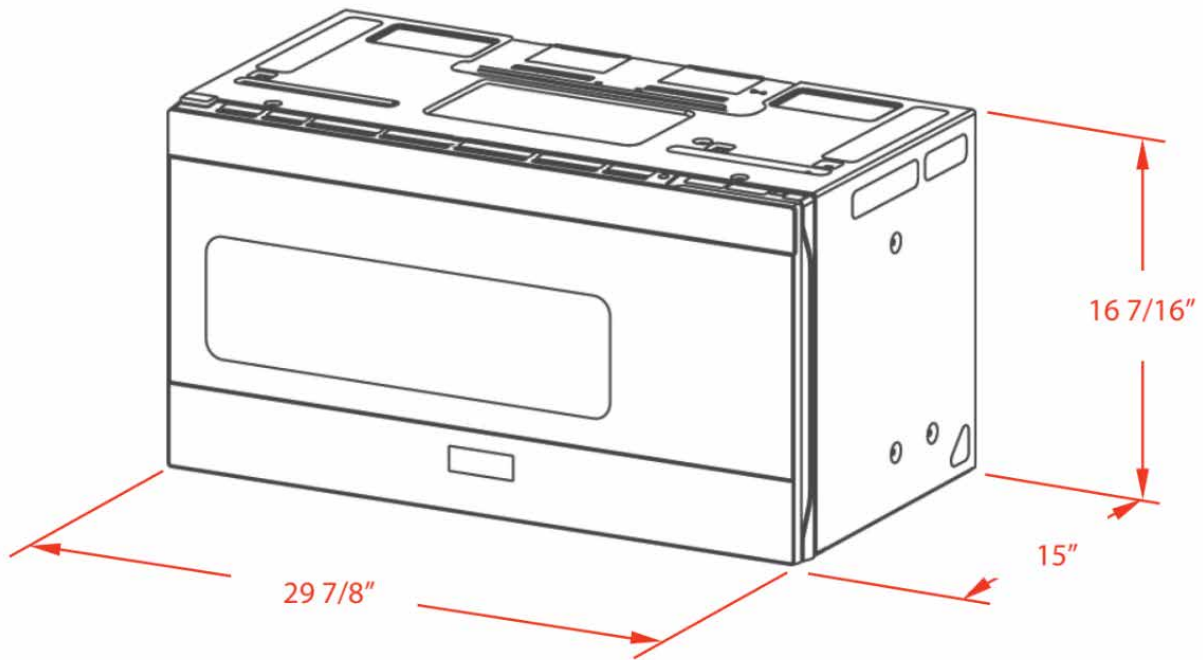
This elegant appliance is both an efficient, fully featured microwave oven and kitchen ventilation system capable of either recirculation for installations where venting outside is not possible, or ducted operating from either the top or rear of the unit.

Full sized oven - big on functionality. Just what you would expect from XO's

WORLD CLASS SERVICE | COMPREHENSIVE WARRANTIES
OUR LASTING COMMITMENT TO YOU



For 90 days, all our products are backed by our unique Love It or Leave It Guarantee*



FEATURES

FINISH

Stainless Steel or White

MICROWAVE

- Sensor cooking
- Auto Defrost
- 10 variable power levels
- Add 30 seconds and express cooking
- 1000W | 1.6 cu ft Microwave
- Exhaust fan with two speeds
- 2 Level LED Lighting Illuminates Cooking Area
- Child lock
- Hidden vent
- LED Clock
- 13.5" Diameter Turntable w On/Off Feature

VENTILATION

- 2 Speed Blower 400CFM MAX
- Recirculation Standard
- Top/Rear Venting Option, Included (3-1/4" x 10")
- Dishwasher Safe Grease Filters
- Carbon Filter for Recirculation, Included

SPECIFICATIONS

ELECTRICAL 120VAC 60HZ 1550W 13AMPS*

PWR CONNECTIONS RIGHT TOP REAR

OVEN INTERIOR WHITE

EXTERIOR DIMENSIONS
29 7/8"W x 16 7/16"H x 15"D

INTERIOR DIMENSIONS
20 1/4"W x 9 1/4"H x 14 13/32D"

SHIPPING WEIGHT 56 LBS

CAPACITY (CU.FT.) 1.6

POWER CORD LENGTH 3.3 ft. (1 m)

*Dedicated 15 amp service required
Unit must be properly grounded
See installation instructions