

HOOKER[®]




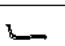


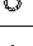
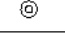
— FURNITURE —

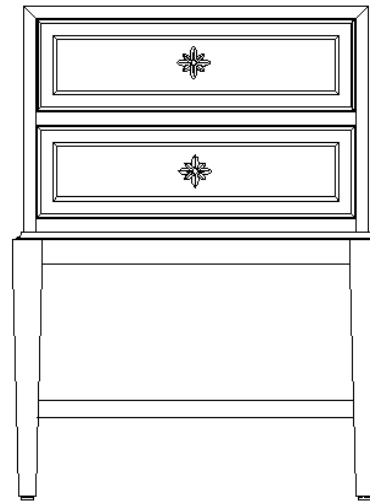
Martinsville, VA 24112

ASSEMBLY INSTRUCTION

Item#: 5875-90016-95 Petit Bijou Telephone Table

**** Please make sure you have all parts indicated below prior to assembly.**

NO	HARDWARE LIST		Q'TY
A		$\frac{5}{16}$ " Flat washer	4
B		$\frac{5}{16}$ " Lock washer	4
C		$\frac{5}{16}$ " Bolt	4
D		73MM Allen wrench	1
E		1/4" Bolt	4
F		1/4" Lock washer	4
G		1/4" Flat washer	4
H		69MM Allen wrench	1



Assembly Steps:

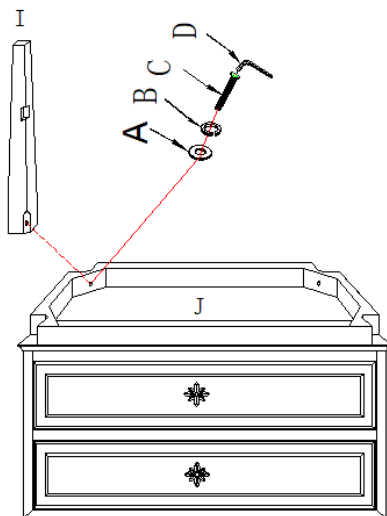


Diagram 1

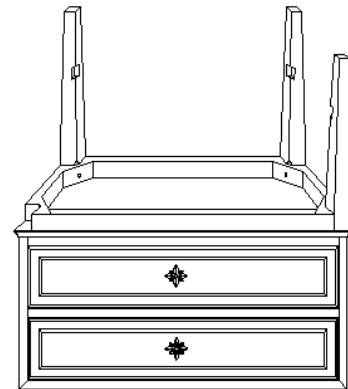
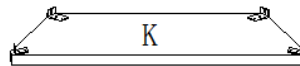


Diagram 2

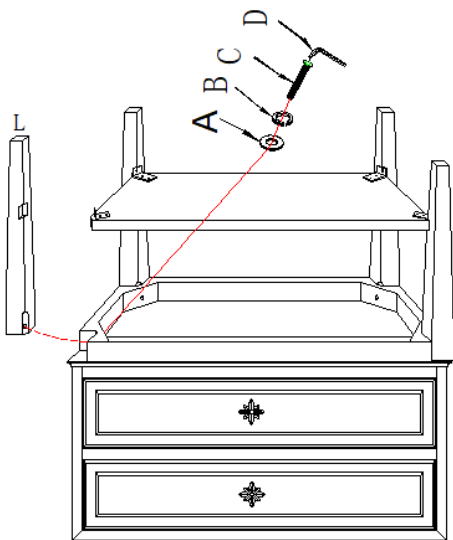


Diagram 3

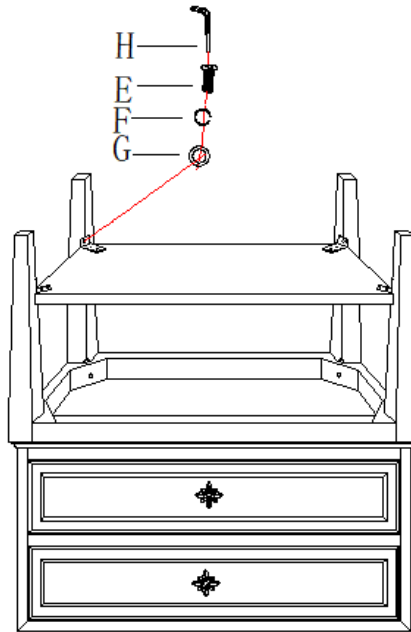


Diagram 4

Follow numbers on legs and corners when assemble.

1. Place table top (J) on a soft place to prevent it from being scratched.
2. Tighten back leg (I) to table top (J) by using bolt (C), lock washer (B) and flat washer (A) at the corner with Allen wrench (D). (See diagram 1)
3. Repeat step 2 to assemble another back leg and one of front legs.
4. Insert bottom shelf (K) to the holes of back legs and one of front leg. (See diagram 2)
5. Tighten the other front leg (L) to table top (J) by using bolt (C), lock washer (B) and flat washer (A) at the corner with Allen wrench (D). (See diagram 3)
6. Tighten bottom shelf (K) thru L-shape bracket to all legs by using bolt (E), lock washer (F) and flat washer (G) with Allen wrench (H). (See diagram 4)
7. After all bolts are attached and hand tightened, turn the table upright.

Cleaning Instruction: Clean finished parts with a damp cloth using a mild dishwashing liquid and water solution. Polish the finish with soft cloth and an industry recognized furniture polish.