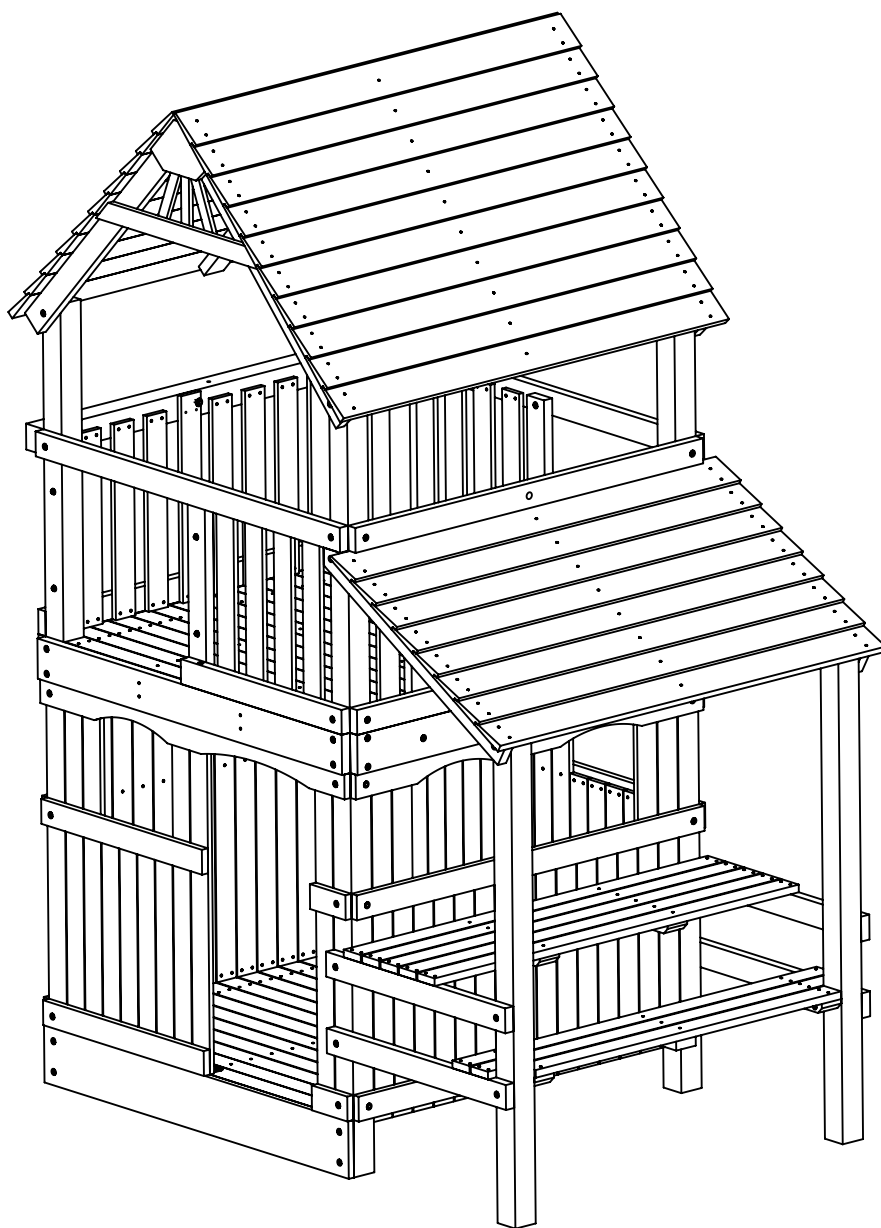


ChildLife[®]

Playsets

Tiki Table Assembly Instructions



PG-MA-0031-02

TIKI TABLE PARTS LIST

NOTE TO INSTALLER

You must assemble this product in accordance with these Assembly Instructions.
After assembly is complete, please give this Owner's Manual to the owner of the play system.

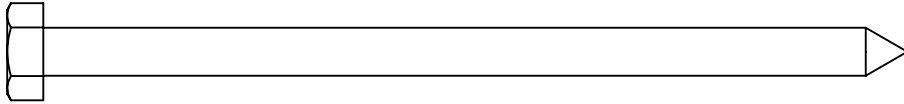
PG-123LCW TIKI TABLE FOR MONKEY TOWER

PART NUMBER	DESCRIPTION	QTY.
PG-14-0010	28 1/2" Enclosure Slat	3
PG-24-0009	Picnic Table Seat Backboard	1
PG-24-0058	34" Tiki Table Support	4
PG-24-0059	10" Tiki Table Seat Backboard	2
PG-24-0060	16" Snack Table Top Backboard	2
PG-24-0061	34" Tiki Table Roof Backboard	1
PG-24-0062	39" Tiki Table LH Roof Support	1
PG-24-0063	39" Tiki Table RH Roof Support	1
PG-24-0064	Panel Divider	2
PG-26-0003	Roof Board	7
PG-26-0020	Roof Board - No Notch	1
PG-44-0066	63 1/2" Corner Post Tiki Table	2
PG-54-0019	60 1/2" Tiki Table Seat Long	2
PG-54-0020	50 3/4" Tiki Table Seat Short	1
PG-54-0021	60 1/2" Tiki Table Top Board	5
PG-HW-PG123LCW	Hardware Kit for PG123LCW	1
PG-MA-0031	PG123LCW Tiki Table Manual	1

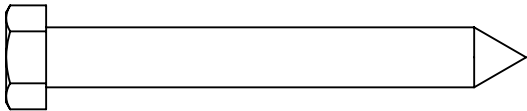
PG-HW-PG123LCW Hardware kit for PG123LCW

PART NUMBER	DESCRIPTION	QTY.
PG-HW-S004	#8X2" FLAT HEAD WOOD SCREW	53
PG-HW-S003	#8 X 1.5" FLAT HEAD WOOD SCREW	40
PG-HW-W003	5/16" FLAT WASHER	12
PG-HW-L003	5/16" X 2.5" LAG SCREW	12
PG-HW-L002	1/4" x 4.5" LAG SCREW	4
PG-HW-W002	1/4" FLAT WASHER	4

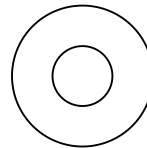
HARDWARE IDENTIFIER



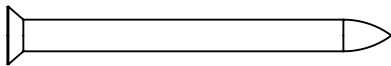
1/4" x 4.5" LAG SCREW
PG-HW-L002



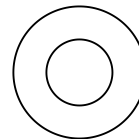
5/16" X 2.5" LAG SCREW
PG-HW-L003



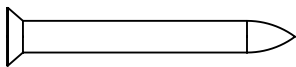
Flat Washer Type A Wide_AI



#8X2" FLAT HEAD WOOD SCREW
PG-HW-S004

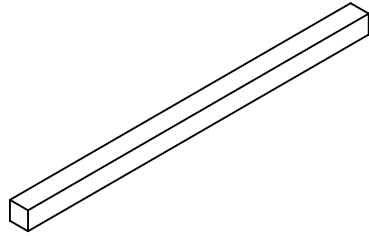


5/16" FLAT WASHER
PG-HW-W003

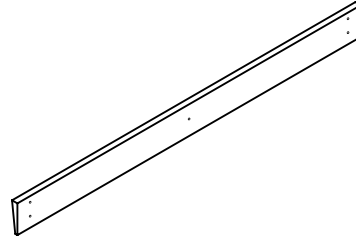


#8 X 1.5" FLAT HEAD WOOD SCREW
PG-HW-S003

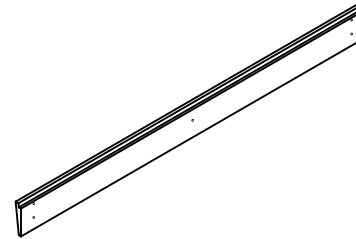
PARTS IDENTIFIER



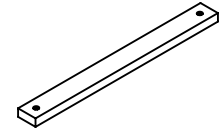
63 1/2" Corner Post Tiki Table
PG-44-0066



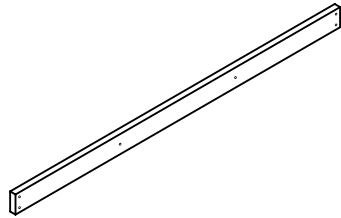
Roof Board - No Notch
PG-26-0020



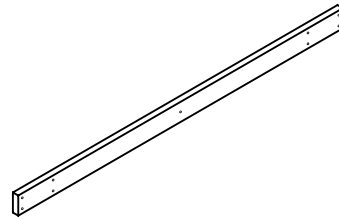
Roof Board
PG-26-0003



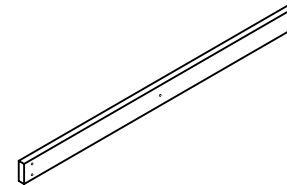
34" Tiki Table Support
PG-24-0058



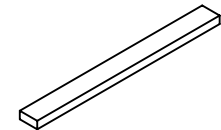
60 1/2" Tiki Table Top Board
PG-54-0021



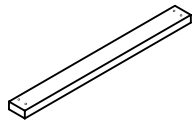
60 1/2" Tiki Table Seat Long
PG-54-0019



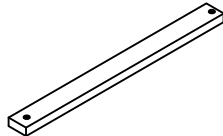
50 3/4" Tiki Table Seat Short
PG-54-0020



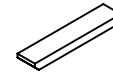
34" Tiki Table Roof Backboard
PG-24-0061



28 1/2" Enclosure Slat
PG-14-0010



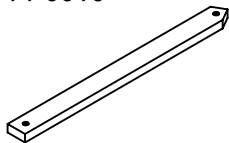
Panel Divider
PG-24-0004



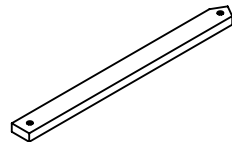
16" Snack Table Top Backboard
PG-24-0060



Panel Divider
PG-24-0064



39" Tiki Table LH Roof Support
PG-24-0062



39" Tiki Table RH Roof Support
PG-24-0063



Picnic Table Seat Backboard
PG-24-0009

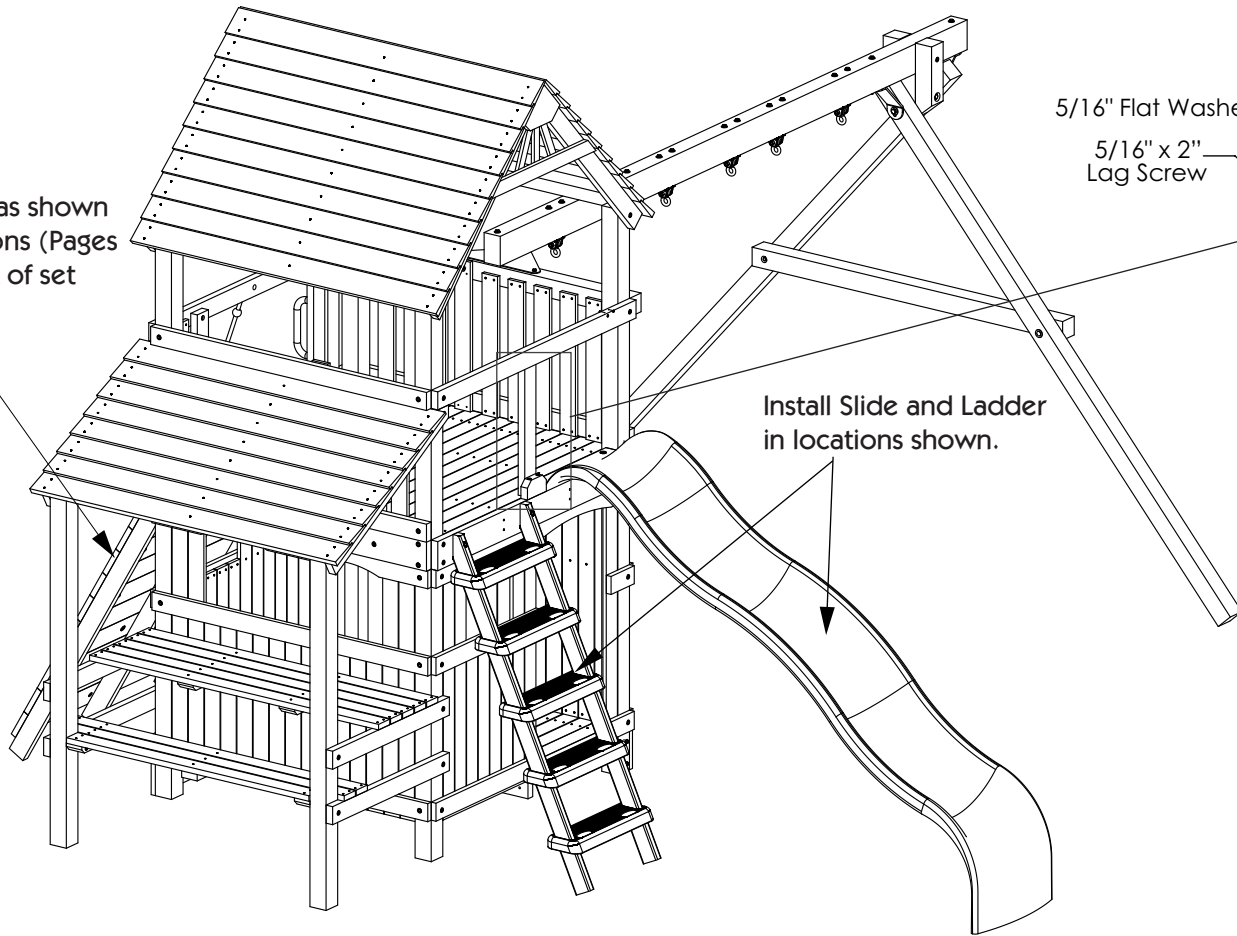


10" Tiki Table Seat Backboard
PG-24-0059

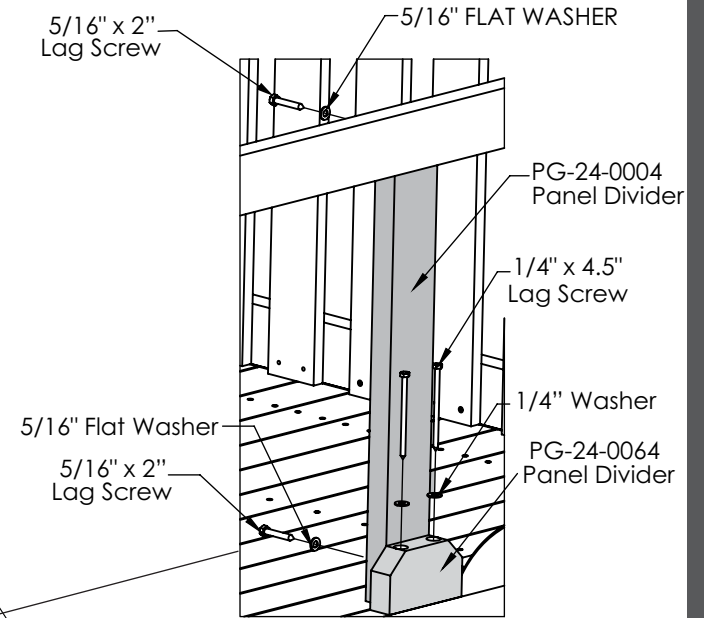


If you purchased optional Climbing Wall you will need to install add-ons as shown in illustration below, **NOT** as shown in base set manual. If you did not purchase Climbing Wall **SKIP** this page.

Install Climbing Wall as shown in base set instructions (Pages 34-35) but on **BACK** of set not the side.



Install Slide and Ladder in locations shown.



SAFETY RAIL INSTALLATION

NOTE: Item numbers match base set manual.

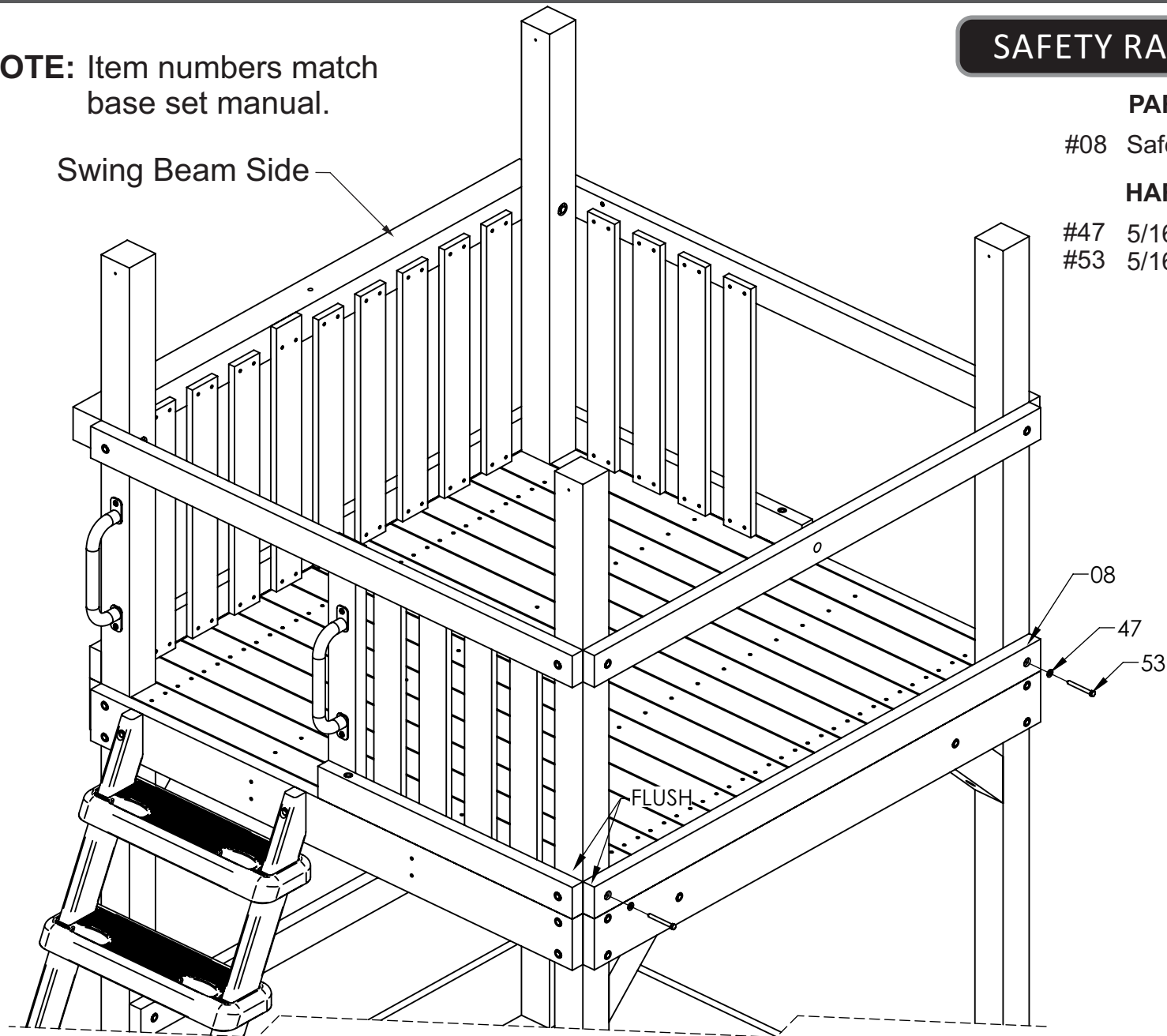
PARTS NEEDED

#08 Safety Rail Full (1)

HARDWARE NEEDED

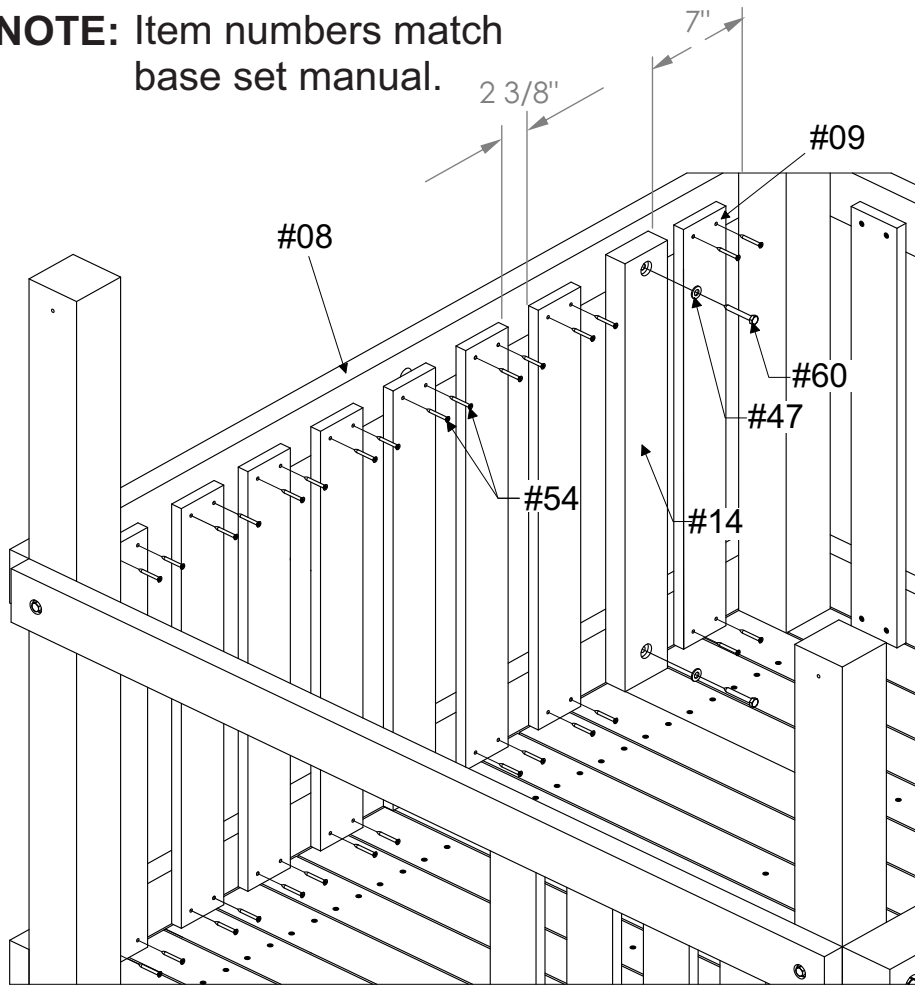
#47 5/16" FLAT WASHER (2)

#53 5/16" X 3" LAG SCREW (2)



1. Attach Safety Rail Full #08 to Corner Posts as shown using Flat Washer #47 and Lag Screw #53. Make sure ends of Safety Rail Full #8 are **FLUSH** with Corner Posts.

NOTE: Item numbers match base set manual.



PANEL SLAT INSTALLATION

PARTS NEEDED

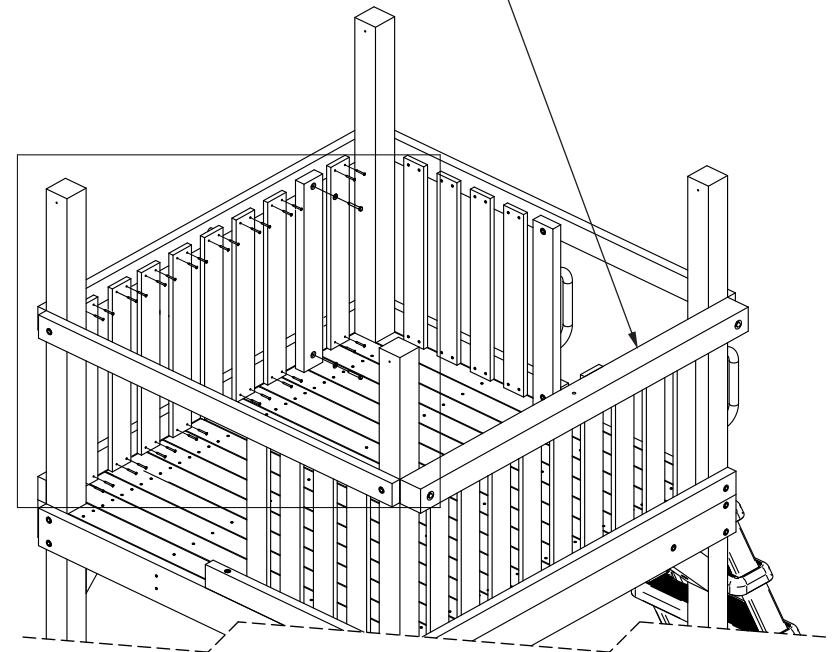
#14	PANEL DIVIDER	(1)
#09	PANEL SLAT	(8)

HARDWARE NEEDED

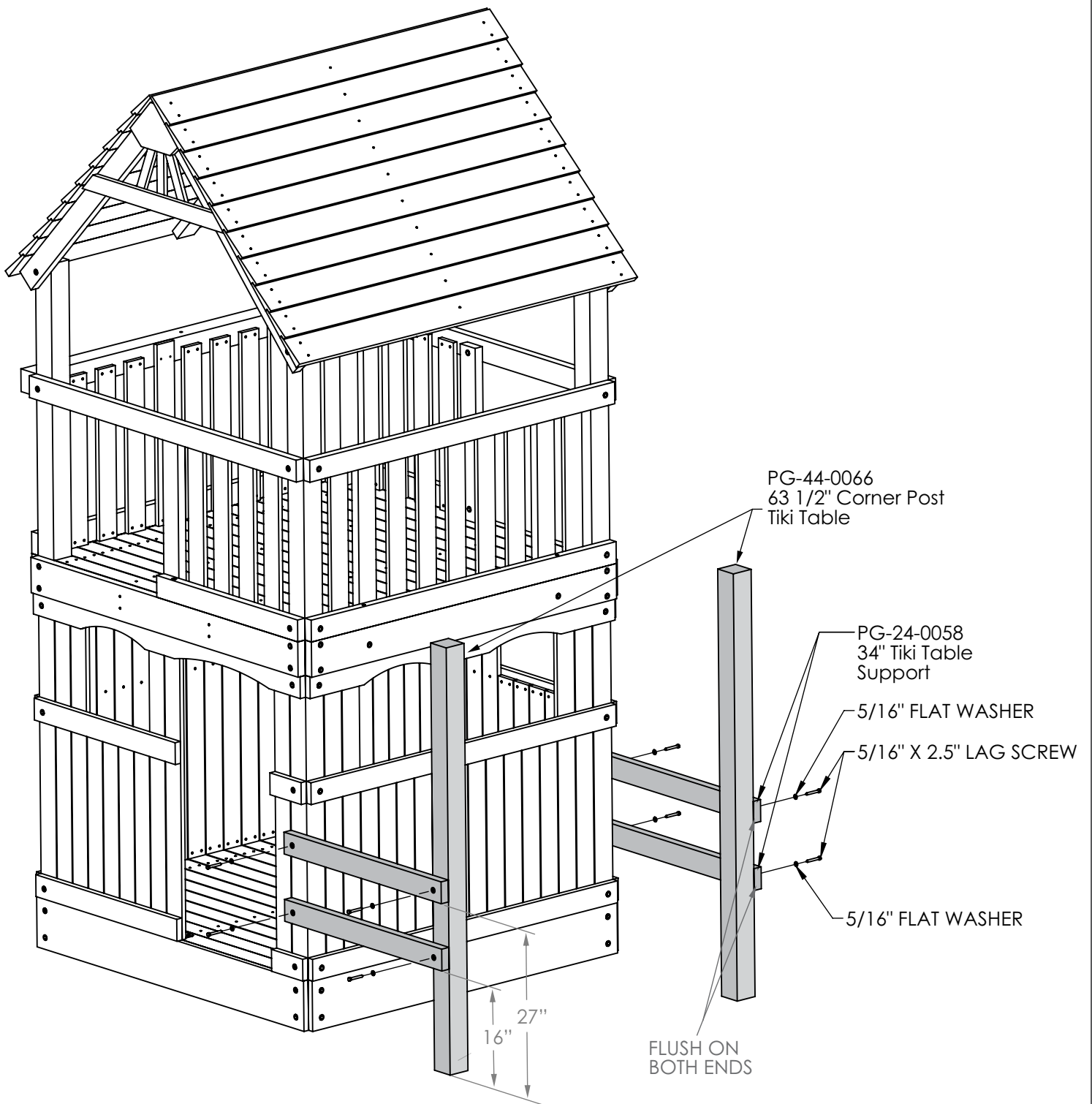
#47	5/16" FLAT WASHER	(2)
#60	5/16" X 2" LAG SCREW	(2)
#54	#8 X 1.5" WOOD SCREW	(32)

1. Attach Panel Divider #14 to parts #08 and #07 using Washer #47 and Lag Screw #60 as shown, part must be 7" from the Corner Post.
2. Center one Panel Slat #9 evenly between parts #14 and Corner Post and attach to parts #08 and #07 with Wood Screws #54 as shown.
3. Attach the remaining Panel Slats #09 evenly spaced 2 3/8" apart with Wood Screws #54.

Swing Beam Side



TIKI TABLE ASSEMBLY



If desired you can remove the 43 3/4" Enclosure Slat (PG-14-0013) that cover the center of the window openings and replace with the optional shorter 28 1/2" Enclosure Slat (PG-14-0010) to get a wider view window.

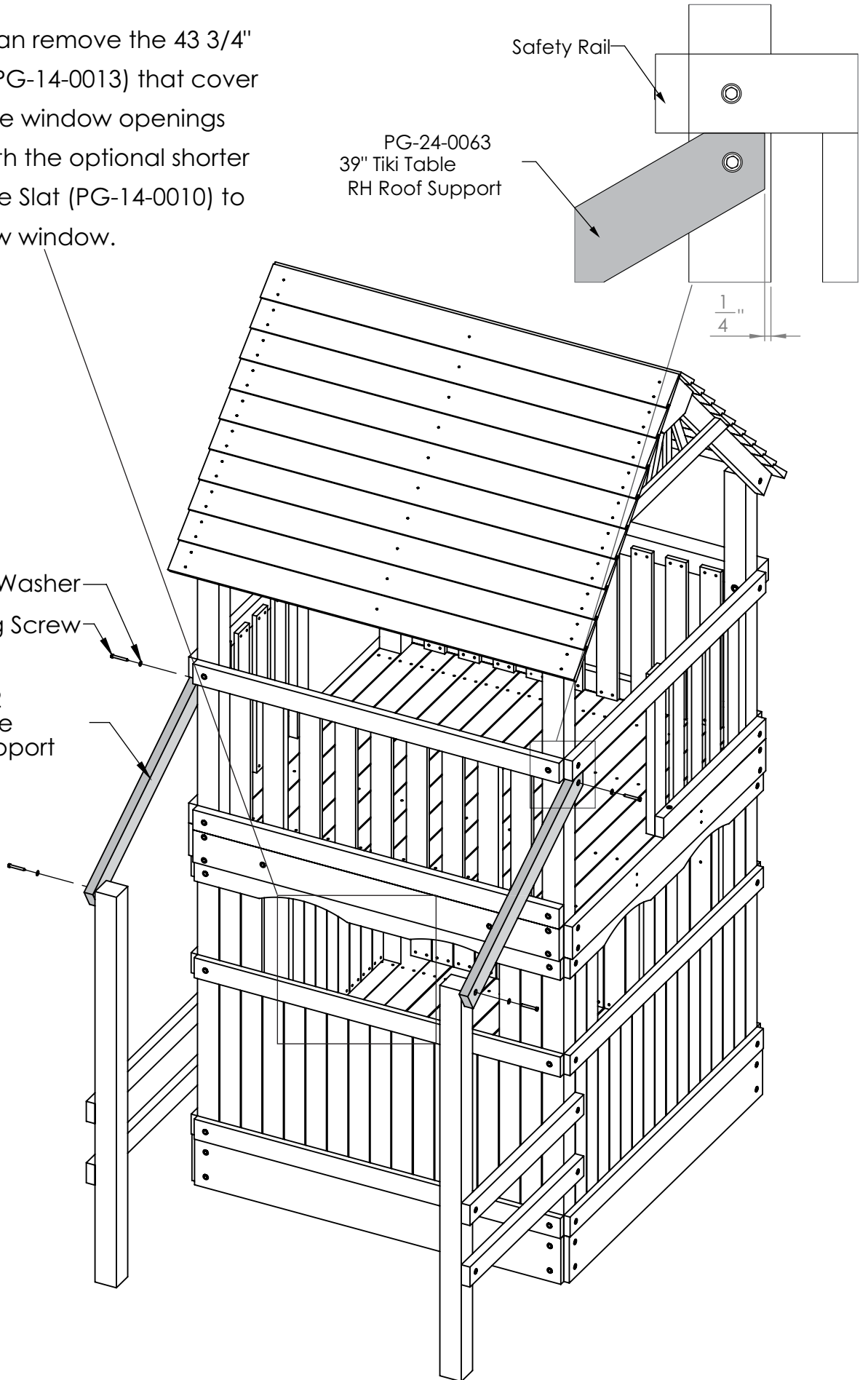
Safety Rail

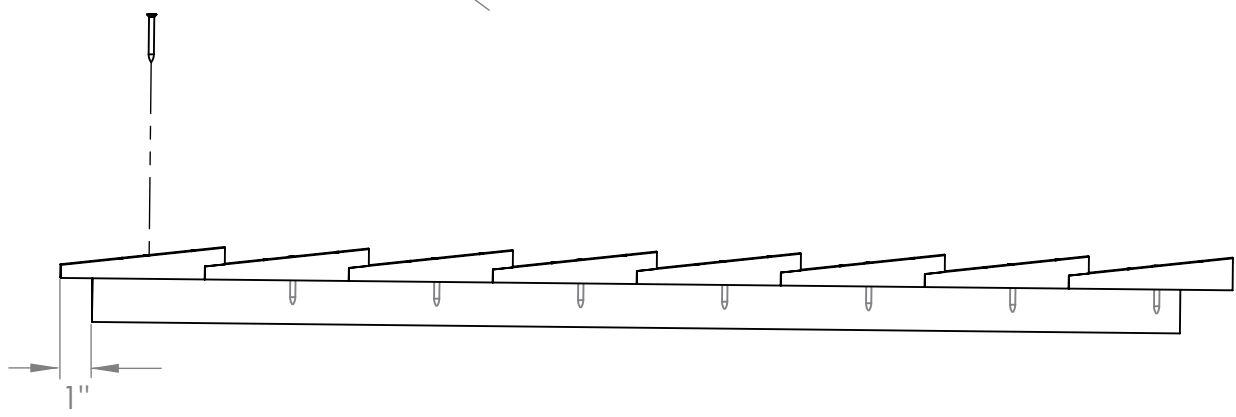
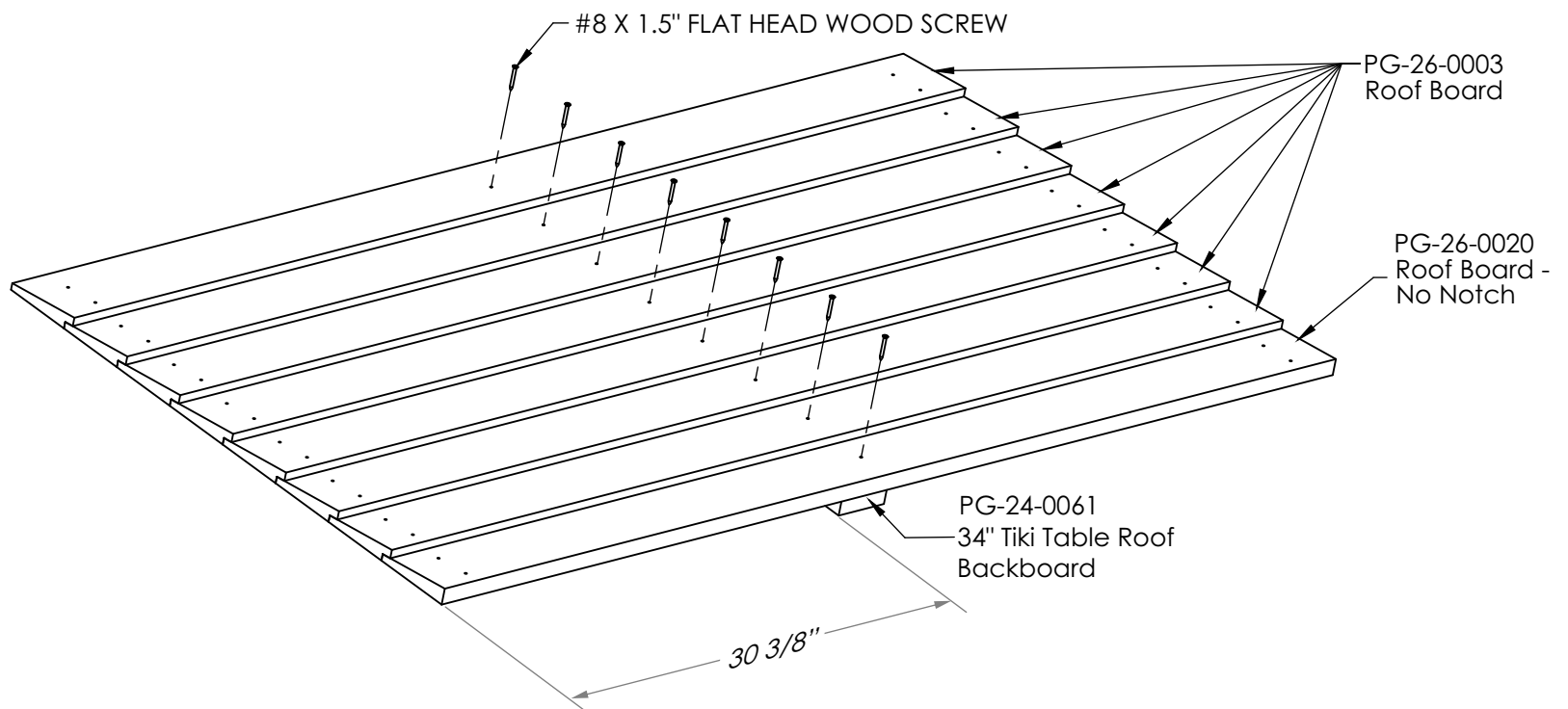
PG-24-0063
39" Tiki Table
RH Roof Support

1/4"

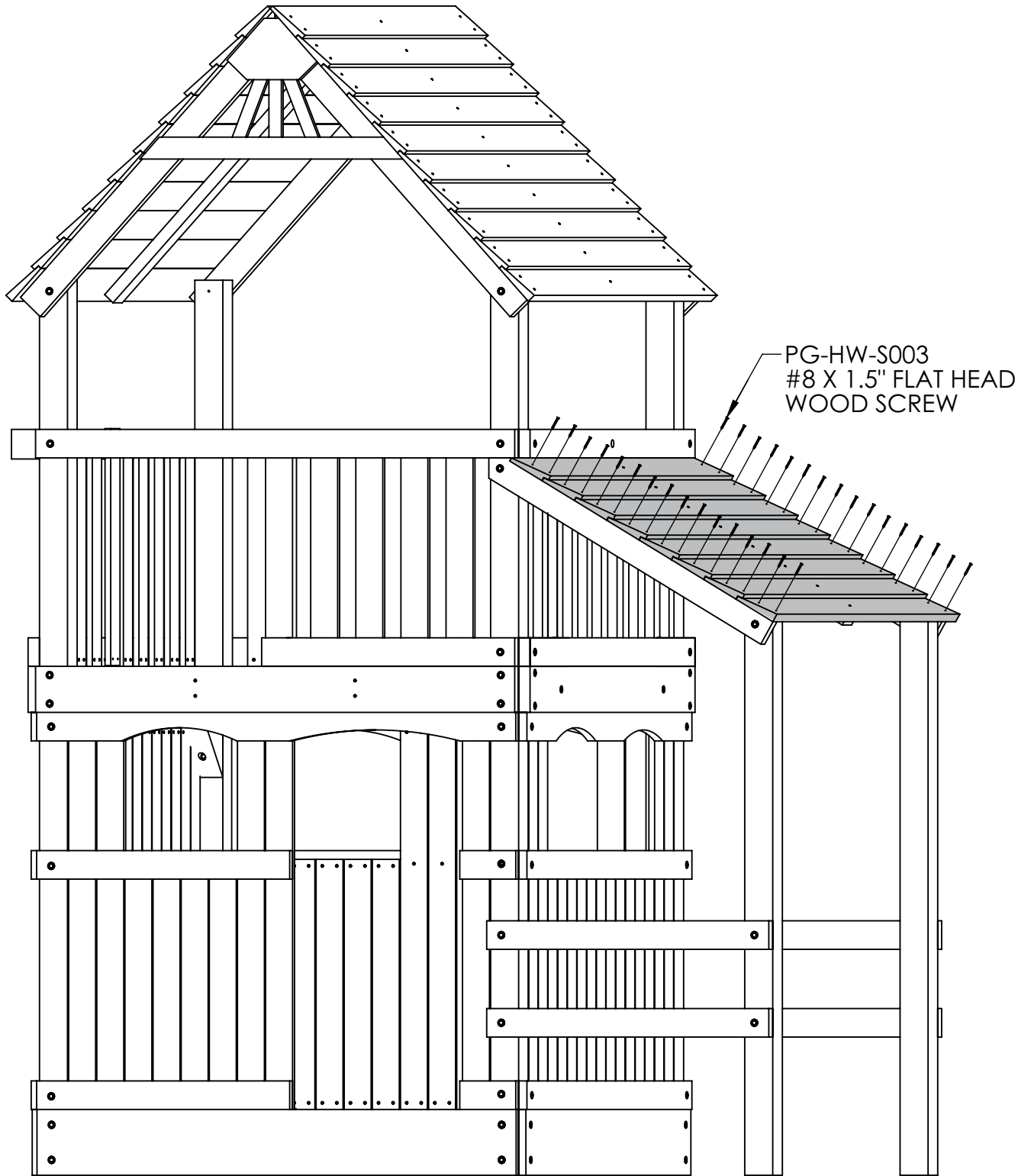
5/16" Flat Washer
5/16" X 2.5" Lag Screw

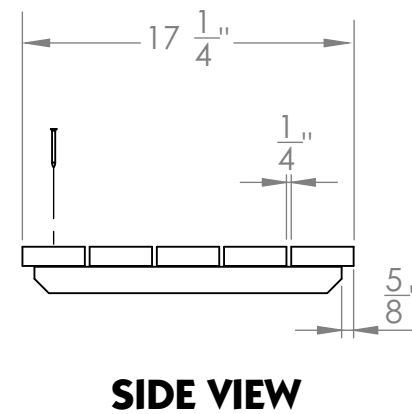
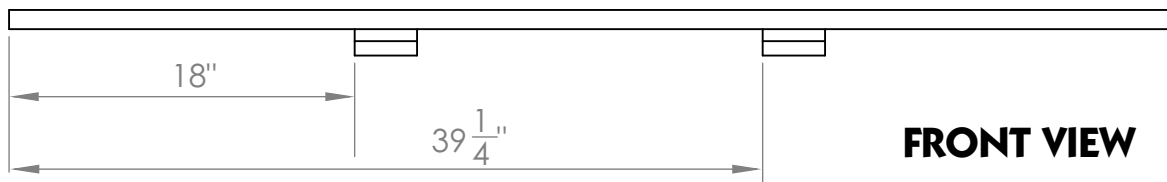
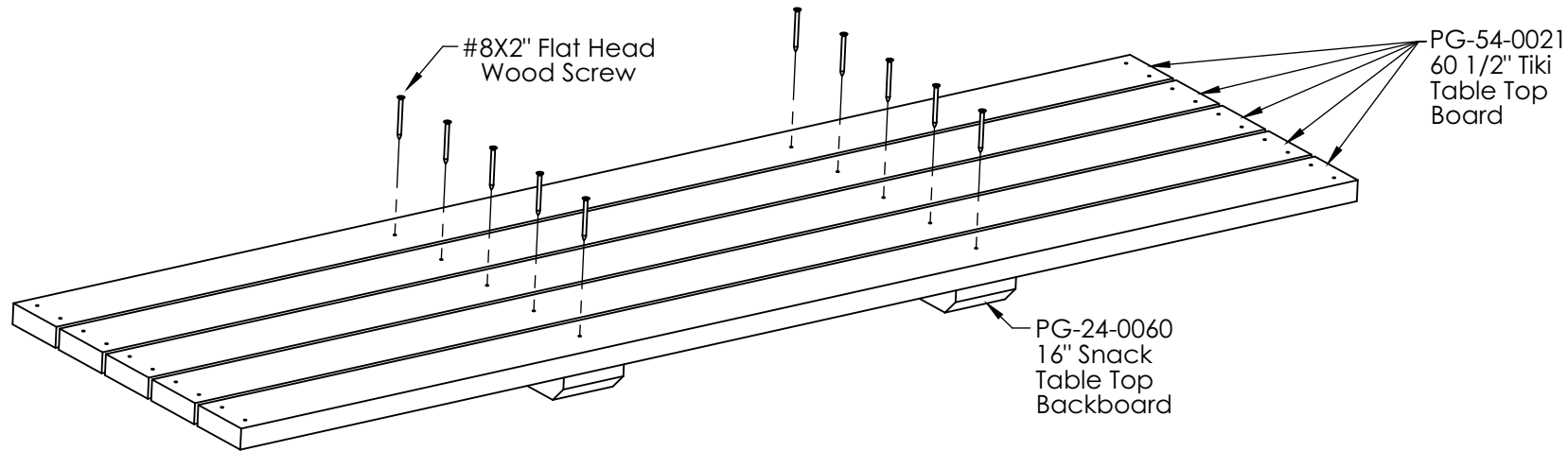
PG-24-0062
39" Tiki Table
LH Roof Support

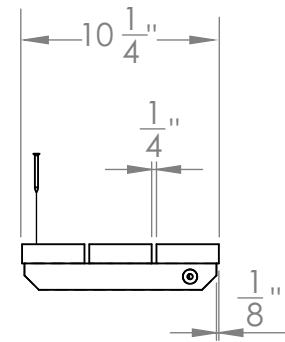
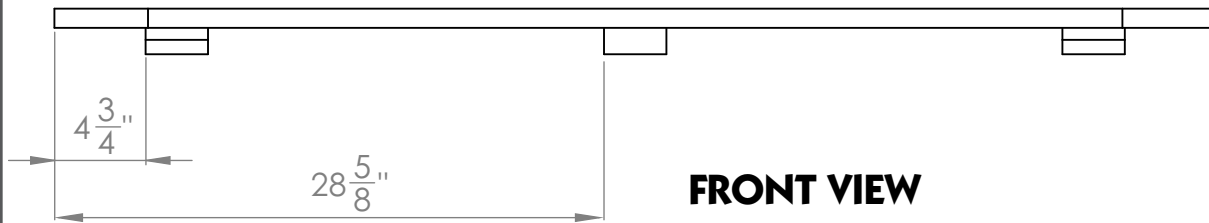
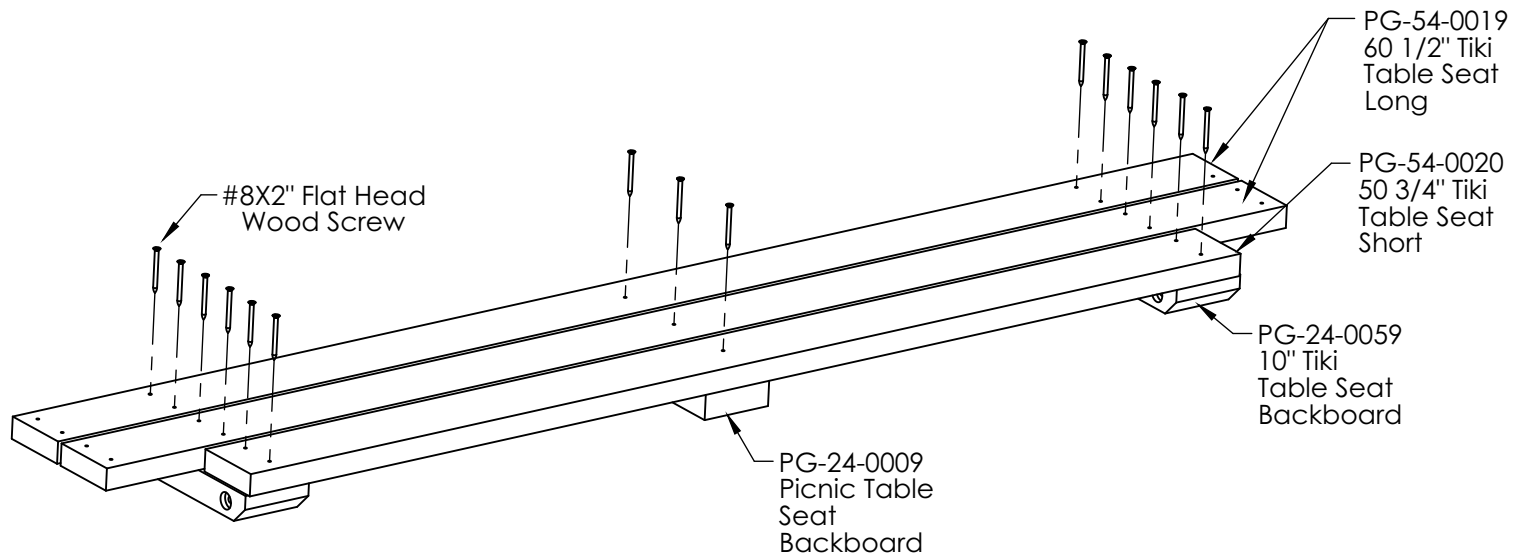


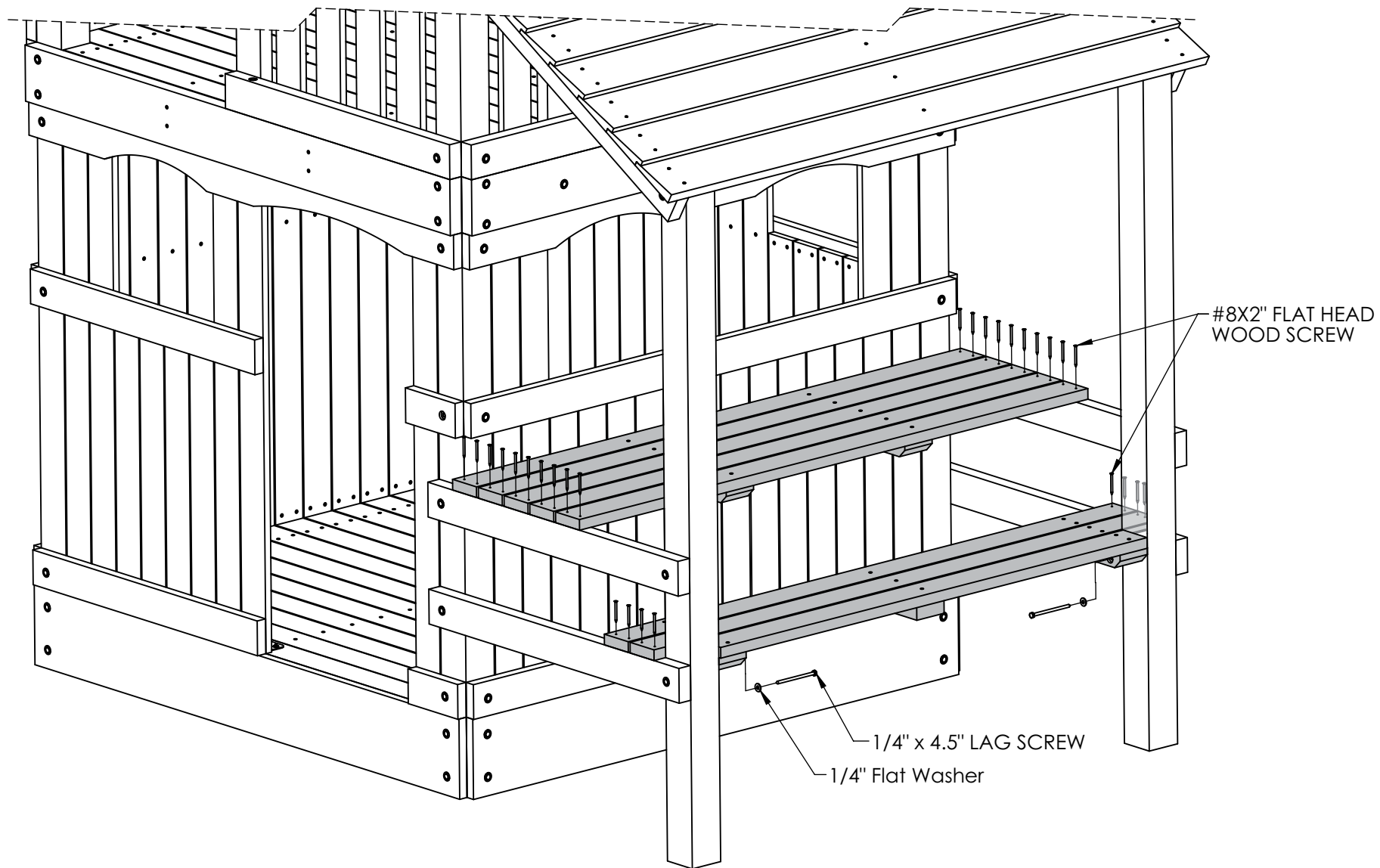


SIDE VIEW









ChildLife® Playsets

ChildLife Limited Lifetime
& TwoYear Warranties

Subject to proper installation and normal residential use, Escalade Sports warrants, subject to the limitations stated below, to the original retail purchaser, all chain, seats, swing hangers, hardware, metal braces, ropes and accessories to be free from defects in material and workmanship for a period of two years from date of purchase. Cracks in non-functional plastic components are not considered defects in materials and workmanship if they do not affect the functionality of the playset. Merchandise covered under this limited two-year warranty will, at our option, be repaired or replaced, excluding **any freight or labor fees that may be required.**

In addition, for the lifetime of the playset, Escalade Sports warrants, to the original retail purchaser, all wooden components against structural failure due to corrosion, wood rot, or insect infestation. **Seasonal checks and surface cracks, knotholes and knots, natural characteristics of all wooden play equipment, not resulting in structural failure, are not covered under this warranty.**

Timber is a natural material which can absorb and release moisture. Although this product is designed to minimize this effect, in certain circumstances some movement or distortion is unavoidable. During dry hot weather timber may shrink and check - this is a normal process of weathering. After the first year of service it is advisable to apply a non-toxic stain / sealant safe for children's use.

Components covered under this limited lifetime warranty will be replaced free of charge excluding freight and labor fees.

Non-residential use of the playset is prohibited and voids the warranty as the playsets are designed for residential use only.

Escalade Sports reserves the right to examine photographs and/or physical evidence of merchandise claimed to be defective, and to recover said merchandise, prior to disposition of warranty claims. Merchandise returned to our factory for examination or recovery must be shipped freight prepaid, unless a Return Authorization Number is issued.

No warranty is offered on equipment subjected to abuse, negligence, improper installation, vandalism, acts of God, unauthorized alteration or attachment to equipment other than our own, or improper use, service or repair by customer or any third party. Escalade Sports assumes no responsibility for incidental or consequential damages which may arise from the purchase or use of our equipment. Please supervise your children's play activity and maintain your play equipment periodically.

THIS WARRANTY IS EXPRESSLY IN LIEU OF ALL OTHER WARRANTIES, EXPRESSED OR IMPLIED, INCLUDING WARRANTIES OF MERCHANTABILITY OR FITNESS FOR USE. CHIDLIFE PLAYSETS DOES NOT ASSUME, OR AUTHORIZE ANY PERSON TO ASSUME FOR US, ANY OTHER LIABILITY IN CONNECTION WITH THE SALE OF OUR PRODUCTS.

For warranty service, contact:

Childlife Playsets
Escalade Sports
P.O. Box 889
Evansville, IN 47706
1-800-GO-SWING

Or E-Mail us at: playgroundcs@escaladesports.com

Revised 2014