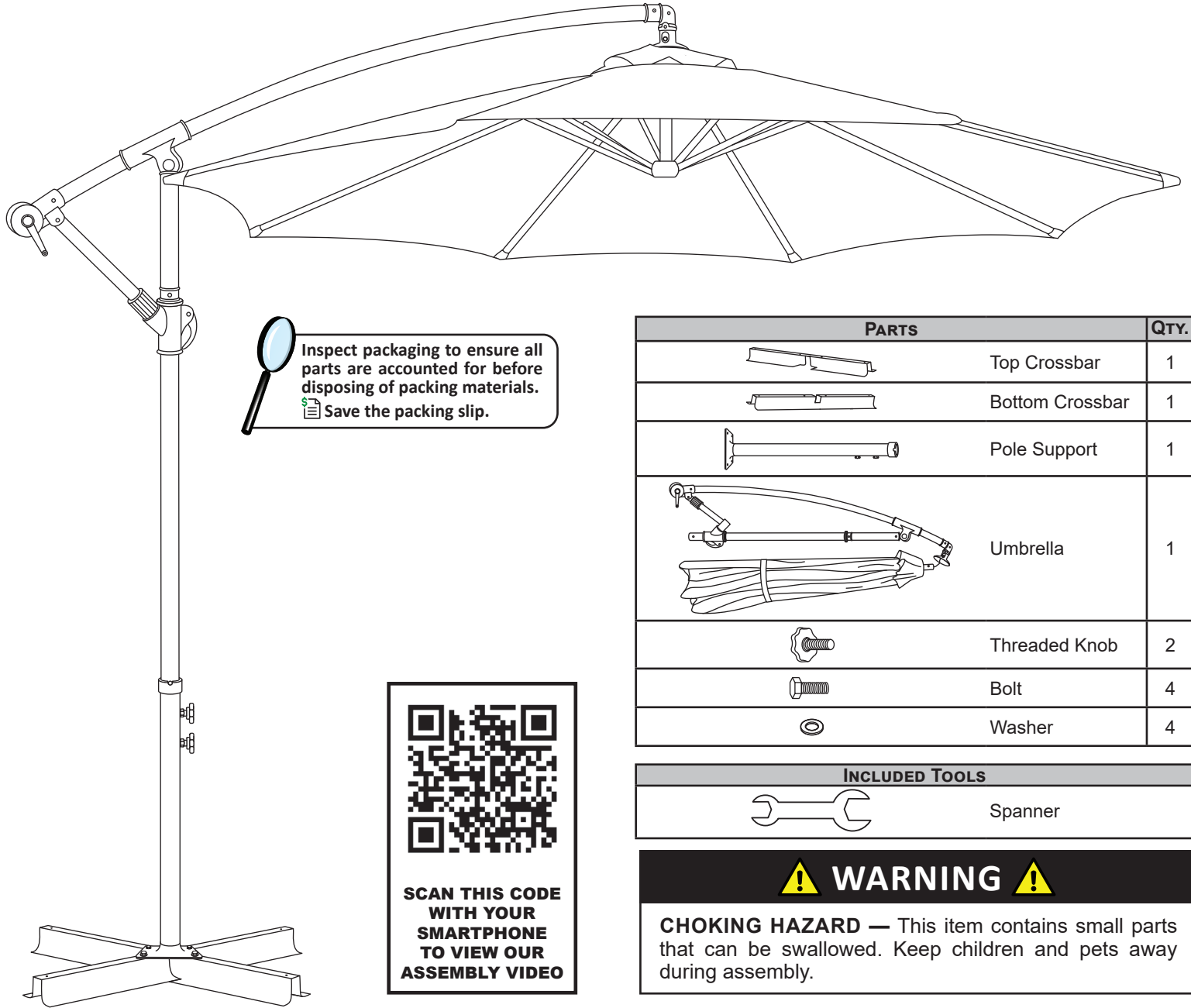





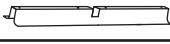
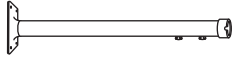
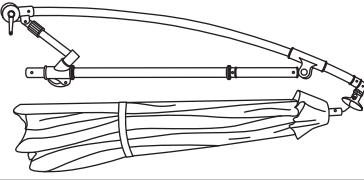

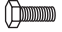

# 10' OFFSET CANTILEVER UMBRELLA

Review all assembly and care information before using this product. Save this manual for future reference.

**Assemble components on a soft, clean surface to avoid damaging the finish.**



 **Inspect packaging to ensure all parts are accounted for before disposing of packing materials.**  
 Save the packing slip.

PARTS		QTY.
	Top Crossbar	1
	Bottom Crossbar	1
	Pole Support	1
	Umbrella	1
	Threaded Knob	2
	Bolt	4
	Washer	4

INCLUDED TOOLS	
	Spanner



**SCAN THIS CODE WITH YOUR SMARTPHONE TO VIEW OUR ASSEMBLY VIDEO**

**! WARNING !**  
**CHOKING HAZARD** — This item contains small parts that can be swallowed. Keep children and pets away during assembly.

**! WARNING:**  
 Manufacturer and seller expressly disclaim any and all liability from personal injury, property damage or loss, whether direct or indirect, or incidental, resulting from the incorrect attachment, improper use, inadequate maintenance, or neglect of this product.

# BEFORE YOU BEGIN

- This offset umbrella requires the use of four cantilever offset patio umbrella base weights or similar items, such as paving slabs or sand bags, for stability. Minimum total weight required: 120 lbs (54.4 kg)
- Read and understand this manual before assembling and using this product.
- Do not discard any of the packaging until all components and fittings have been accounted for. When discarding packaging, take care and consideration for others and the environment.
- When assembling this umbrella, be aware of the safety of yourself and others.
- Because of the size of this offset umbrella, assemble it in the area where it will be used.
- Some assembly may be easier with two people. Seek assistance when lifting large or heavy items.
- Assemble this umbrella on a clean, flat and level surface, e.g., the cardboard packaging.



## IMPORTANT SAFETY INFORMATION



- Keep plastic bags away from children and pets.
- Keep fittings and small parts out of reach of children and pets.
- Do not place components directly onto abrasive surfaces as doing so may damage them.
- Do not use power tools to assemble the unit, as doing so may damage the hardware and frame.
- Do not use the umbrella if any parts are missing or broken.
- Do not use the umbrella until all the bolts are securely tightened. Do not over-tighten.
- Do not modify or alter the unit in any way.
- Do not climb or stand on any part of the offset umbrella.
- Do not allow children to play on or around the offset umbrella.
- Please ensure that visitors are aware of the correct use and operation.
- Do not use your umbrella during inclement weather, including but not limited to, windy conditions, during thunderstorms, heavy rains, or during freezing temperatures.
- Never leave an offset umbrella unattended while it is in the raised position.
- The umbrella canopy does not provide complete protection from the sun or UV light.

# HOW TO USE

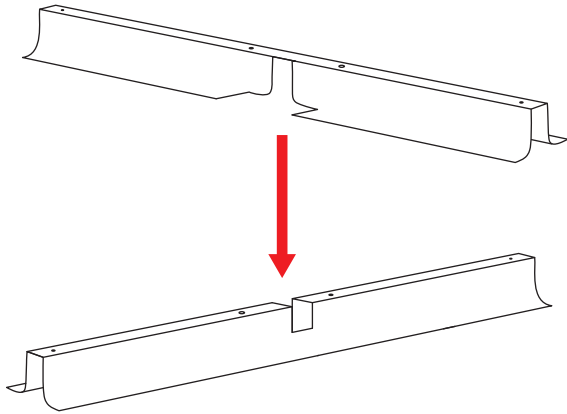
- Always use on a firm, flat and level surface.
- Always ensure that the umbrella is set up in its intended position and all locking mechanisms are engaged prior to use.
- This umbrella is designed for private and domestic use only.
- Do not use this product near heat sources such as barbecues, fire pits, candles, lanterns or heaters.
- Care must be taken when opening or closing the umbrella to prevent fingers and clothing from being pinched or trapped.
- Always ensure that the base is securely fixed or weighted before use.

### **WARNING:**

**Manufacturer and seller expressly disclaim any and all liability from personal injury, property damage or loss, whether direct or indirect, or incidental, resulting from the incorrect attachment, improper use, inadequate maintenance, or neglect of this product.**

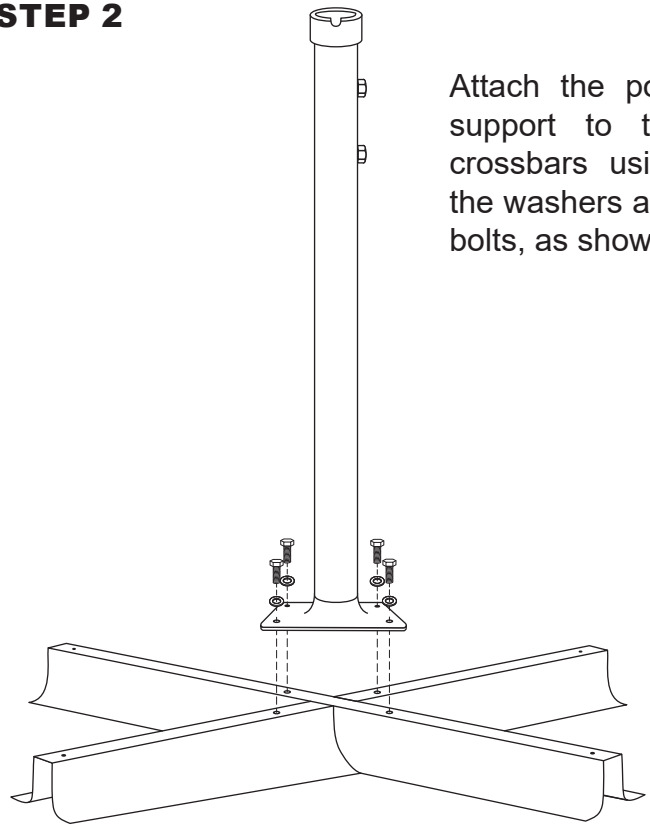
# ASSEMBLY

## STEP 1



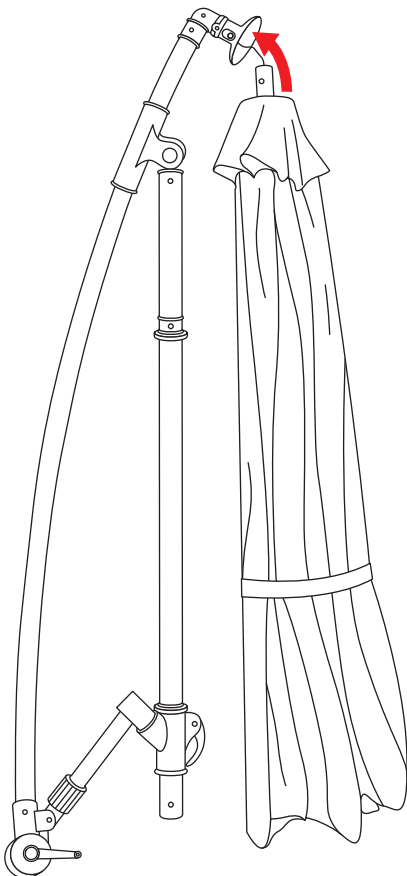
Place the top crossbar onto the bottom crossbar.

## STEP 2



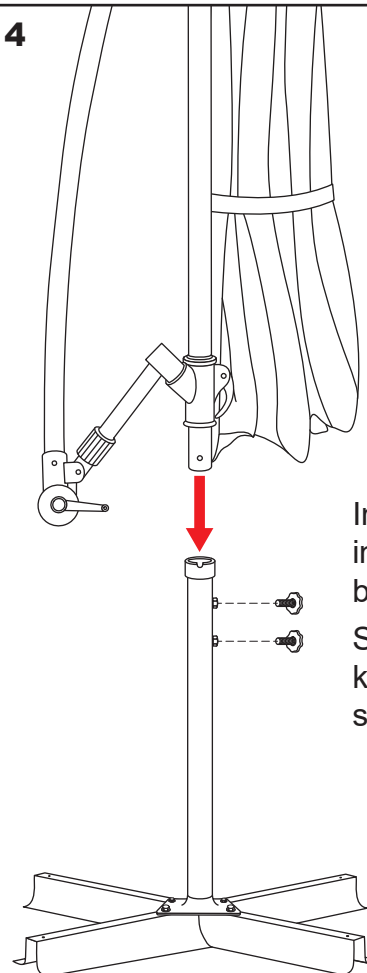
Attach the pole support to the crossbars using the washers and bolts, as shown.

## STEP 3



Connect the umbrella to the curved bar, as shown.

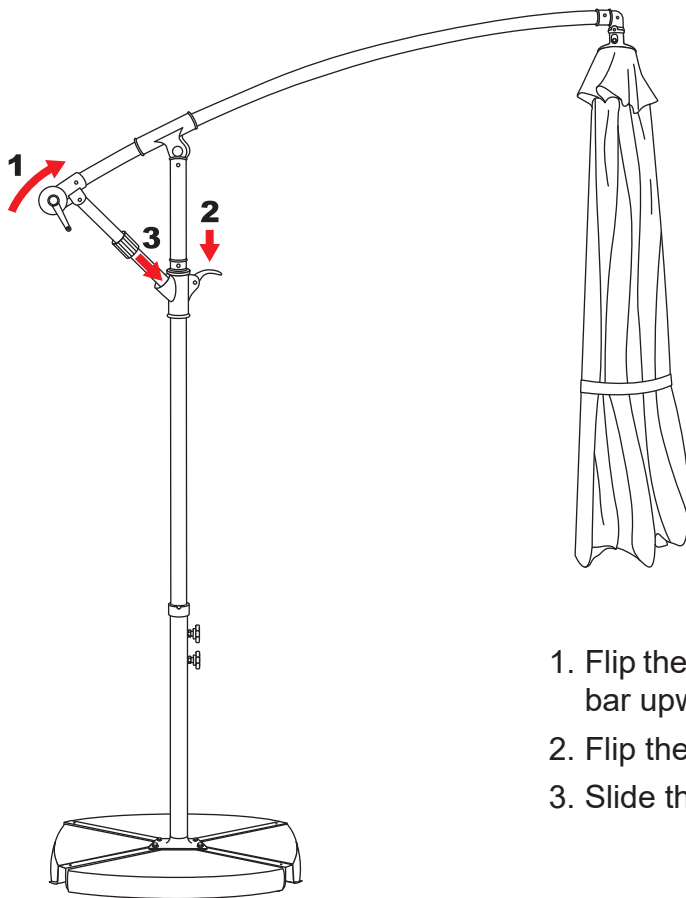
## STEP 4



Insert the umbrella into the assembled base.

Screw the threaded knobs into the pole support.

# HOW TO OPEN

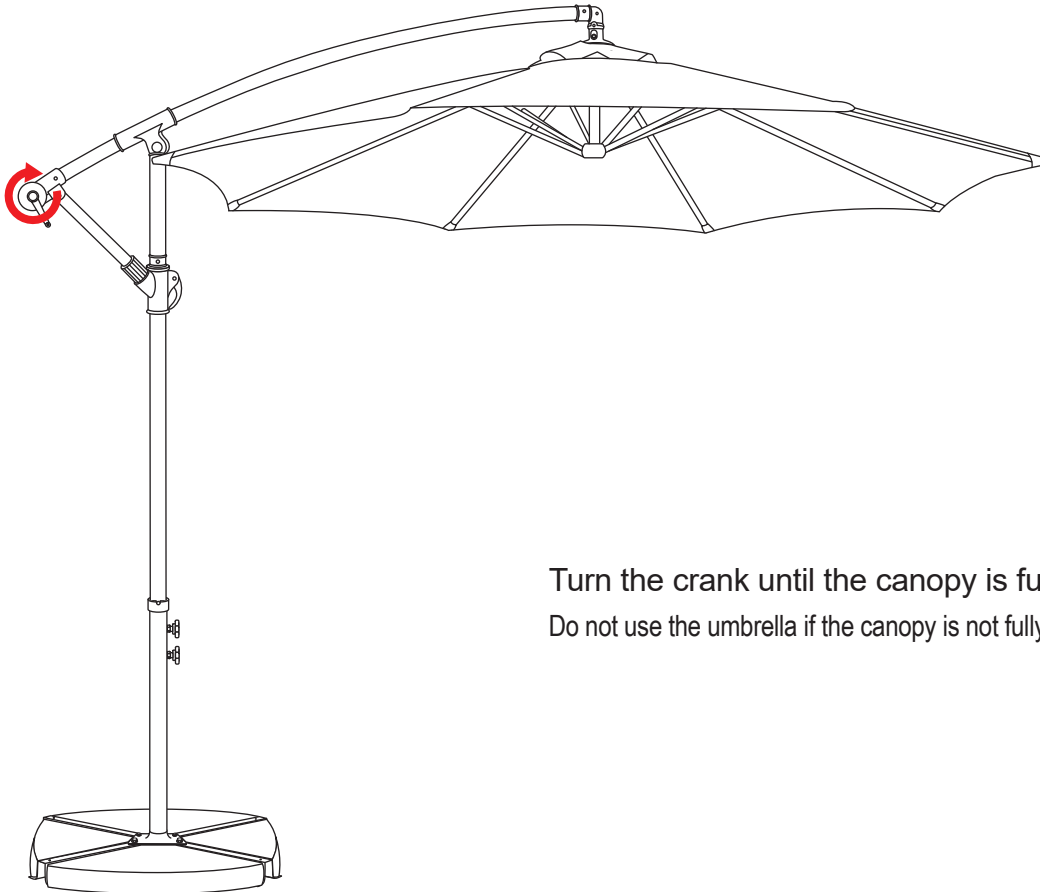


## **IMPORTANT:**

Weigh down the umbrella base before opening the canopy. If the base is not weighted down, the unit will tip over. We recommend using a 4-piece cantilever offset patio umbrella base weight set (sold separately).

1. Flip the handle upwards and gently lift the curved bar upwards to extend the canopy outward.
2. Flip the handle down to lock in place.
3. Slide the sleeve down to secure the arm.

Base weight set  
not included.



Turn the crank until the canopy is fully expanded.  
Do not use the umbrella if the canopy is not fully open.

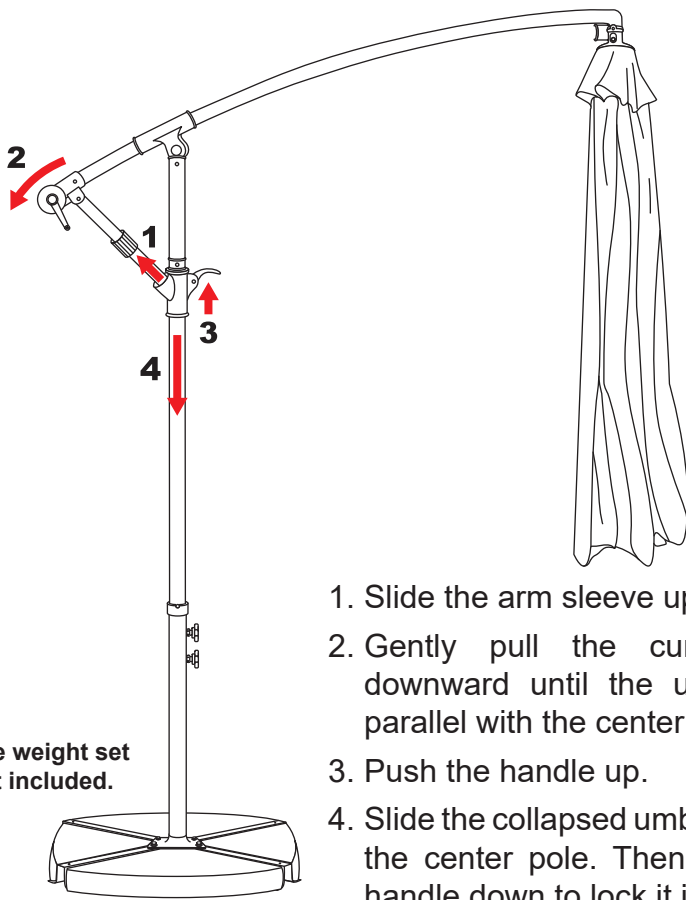
Base weight set  
not included.

# HOW TO CLOSE



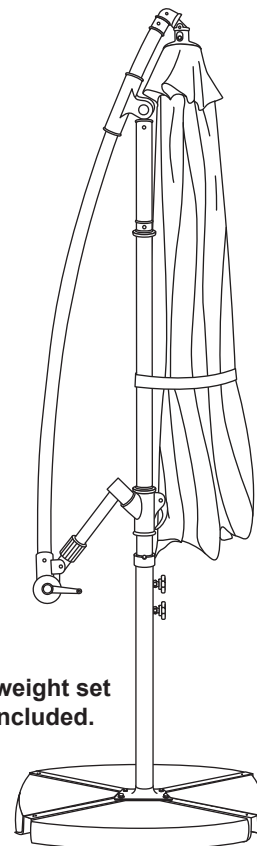
Turn the crank until the canopy is fully collapsed.

Base weight set not included.



1. Slide the arm sleeve upward.
2. Gently pull the curved pole downward until the umbrella is parallel with the center pole.
3. Push the handle up.
4. Slide the collapsed umbrella down the center pole. Then, push the handle down to lock it in place.

Base weight set not included.



Use the built-in strap to secure the umbrella to the center pole.

Base weight set not included.

# Cleaning & Maintenance



## BASIC CARE

When opening, make sure the umbrella opens freely. If there is resistance while opening, **DO NOT FORCE THE UMBRELLA OPEN** as doing so may damage the umbrella. Check to see if the umbrella ribs are locked together; gently pull the ribs apart to assist the opening process.

When closed, pull the loose canopy fabric from between each rib to prevent it from getting jammed or trapped between the ribs and umbrella structure. Trapped fabric may result in unnecessary wear and holes in the fabric. Secure the fabric with the attached strap.

All fabrics will eventually fade from sun exposure. Help maintain the fabric color by covering it with an umbrella cover (not included) or storing it indoors when not in use.

During adverse weather conditions and winter, store the offset umbrella inside under a suitable cover.

Before storing or covering, ensure the entire unit is clean and fully dry. Trapped moisture may cause mold and mildew growth on the canopy fabric and could cause the frame to rust.

Do not use bleach, acid, solvents or abrasive cleaners on this product.

## CANOPY FABRIC

Brush or vacuum loose dust, dirt and debris from the canopy. To clean the fabric, use a weak solution of warm water and washing powder or laundry detergent. Rinse fabric thoroughly and allow it to thoroughly air dry. Always test cleaning solutions on a small area to ensure suitability. Do not use bleach, acid, solvents or abrasive cleaners on the fabric.

## METAL FRAME

Wipe the frame using a soft cloth, warm water and mild soap; rinse thoroughly and dry.

The powder coating is tough and durable, but some scratching is inevitable. To prevent rust, wipe scratched areas to remove moisture. Scratches can be repaired with rust-resistant paint (not included); consult an expert at your local hardware store.

Periodically use a suitable lubricant or water displacer on bolts and joints and check the frame for water build-up and empty if present.

Periodically check the tightness of any bolts or fixings — re-tighten hardware as required.

**WARNING:** THE ONE-YEAR WARRANTY DOES NOT COVER DAMAGES OR DEFECTS CAUSED BY THE APPLICATION OF CHEMICAL TREATMENTS, PROTECTIVE COATINGS, TOUCH-UP PAINT, OR CLEANING PRODUCTS.

# Troubleshooting

## Canopy will not open?

**DO NOT FORCE THE UMBRELLA OPEN.** Inspect the ribs beneath the canopy as they may be crossed. Carefully, and gently uncross the ribs and the canopy should open as intended by turning the crank.

## Umbrella seems unstable?

The base of the umbrella must be weighted down at all times. Using the umbrella without weights can result in serious injury and/or property damage.

**Any modification to the product or failure to follow recommended care will void the product warranty.**

*If you experience issues with assembly or the product was damaged during shipping, please contact our customer service team through one of the methods mentioned at the top of page 1.*

*Please have the item number and order information ready to expedite response time.*

## WARNING:

Manufacturer and seller expressly disclaim any and all liability from personal injury, property damage or loss, whether direct or indirect, or incidental, resulting from the incorrect attachment, improper use, inadequate maintenance, or neglect of this product.