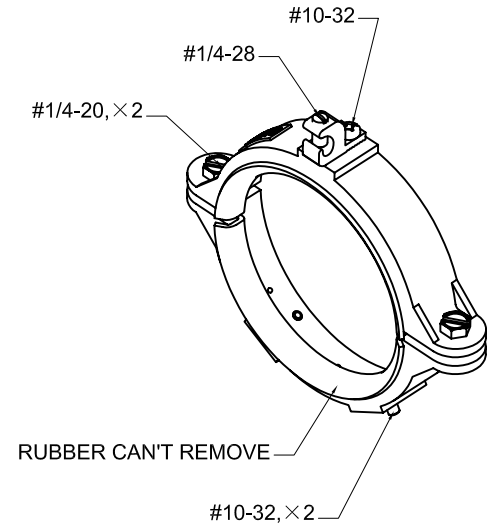
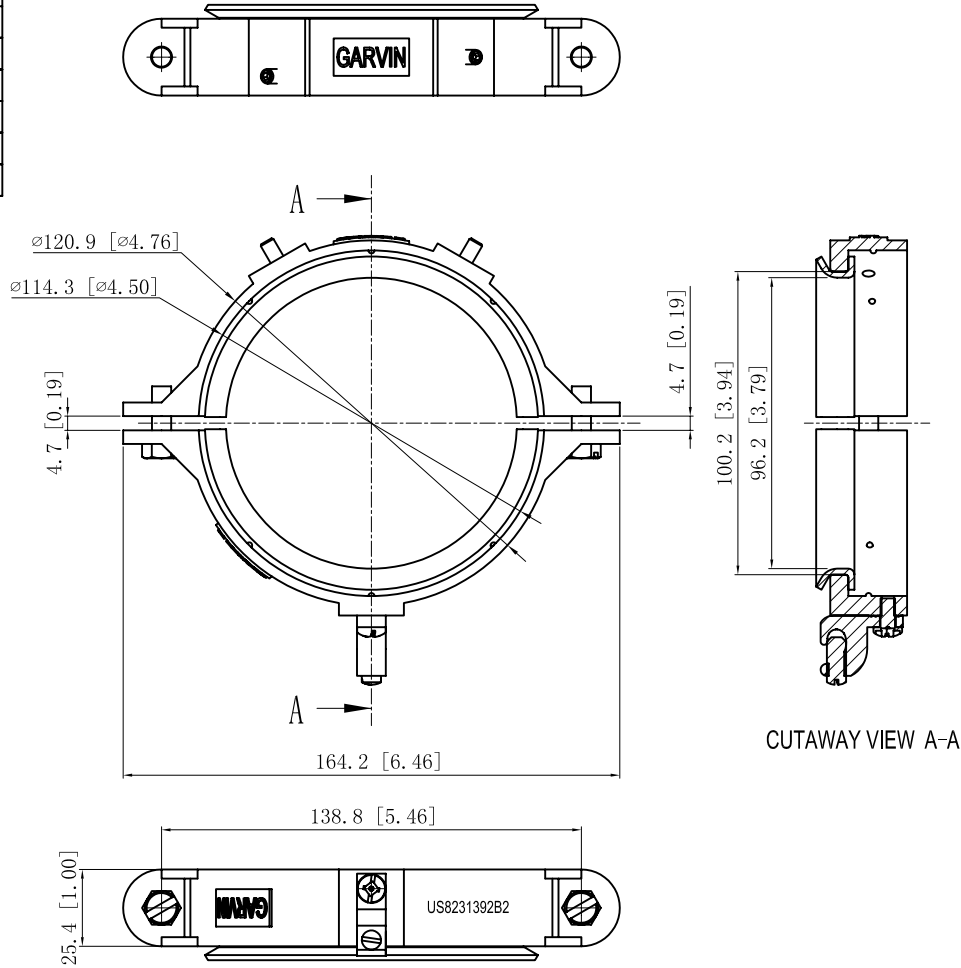
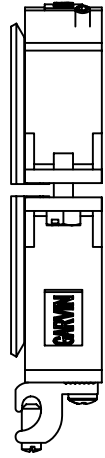


|                                       |        |
|---------------------------------------|--------|
| SIDES                                 | BOTTOM |
|                                       |        |
|                                       |        |
|                                       |        |
|                                       |        |
| 1 PCS 10-32×3/8 Screws Installed      |        |
| 1 PCS 1/4-28×5/8 Screws Installed     |        |
| 2 PCS 1/4-20×3/4 Screws Installed     |        |
| 2 PCS #10-32×1/2 Set Screws Installed |        |
| Material:Zamak-ZAMAK 3                |        |



CUTAWAY VIEW A-A

This data sheet is for reference only .GARVIN INDUSTRIES reserves the right to make changes to the design without prior notice.

|                       |                             |
|-----------------------|-----------------------------|
| DESCRIPTION           | Patent Pending: US8231392B2 |
| TRADE REFERENCE TERMS |                             |

|                  |
|------------------|
| STANDARD PACKING |
| 10 PCS           |

|                          |            |     |
|--------------------------|------------|-----|
| <b>GARVIN INDUSTRIES</b> |            |     |
| GROUND CHOKE             |            |     |
| TITLE                    | SIZE       | REV |
|                          | A4         |     |
| DWG NO.                  | SGB400     |     |
|                          | DATA SHEET |     |