



5" UNIVERSAL IC HOUSING

INCANDESCENT LAMPS IC20N SERIES

Project: _____

Fixture Type: _____

Location: _____

Contact/Phone: _____

PRODUCT DESCRIPTION

IC Air-Loc® Housing • Energy efficient, sealed housing • Can be completely covered with insulation • When used with Air-Loc Gasket accessory or pre-installed gasket, stops infiltration and exfiltration of air, reducing heating and cooling costs • Trims shown with Air-Loc symbol **Air-Loc** do not require a gasket.

PRODUCT SPECIFICATIONS

Lamp Lamp ratings based on trim selected – see page 2.

Socket Medium base porcelain with nickel-plated copper screw shell • Floating socket with spring attaches to trim for installation.

Trims Trim selection shown on page 2.

Labels UL listed for through-branch wiring, damp locations and IP • Product thermally protected against improper use of lamps • Union made • UL Listed/CSA certified • Trim 210N is wet location approved for covered ceiling applications • Trims 215 and 216 are wet location approved for covered ceiling applications, **when used with outdoor rated lamps.**

Testing All reports are based on published industry procedures; field performance may differ from laboratory performance.

Specifications subject to change without notice.

INSTALLATION

Real Nail® Bar Hangers Telescoping, Patented (US Patent D552,969) Real Nail 3 and Real Nail 2 systems permits quick placement of housing anywhere within 24" O.C. joists or suspended ceilings • Bars scored in two locations for fast, clean breaking, allowing housing installation in tight applications • Bars captive to mounting frame • Edge-mounted for extra strength • Quick-Loc slot (location identified on the mounting frame) and oversized locking set screw lock fixture in position • May be installed either perpendicular or parallel to junction box.

Real Nail 3 Bar Hanger Integral T-bar notch and clip secures housing in suspended ceiling grid – no accessory clips required • 24" expansion stop allows quick placement of fixture in standard grid spacing • Captive bugle-headed ring shank nail for quick one-step installation and easy removal with claw hammer for fixture relocation • Bar hanger foot contoured to align to bottom of construction joist • Alternate mounting holes included.

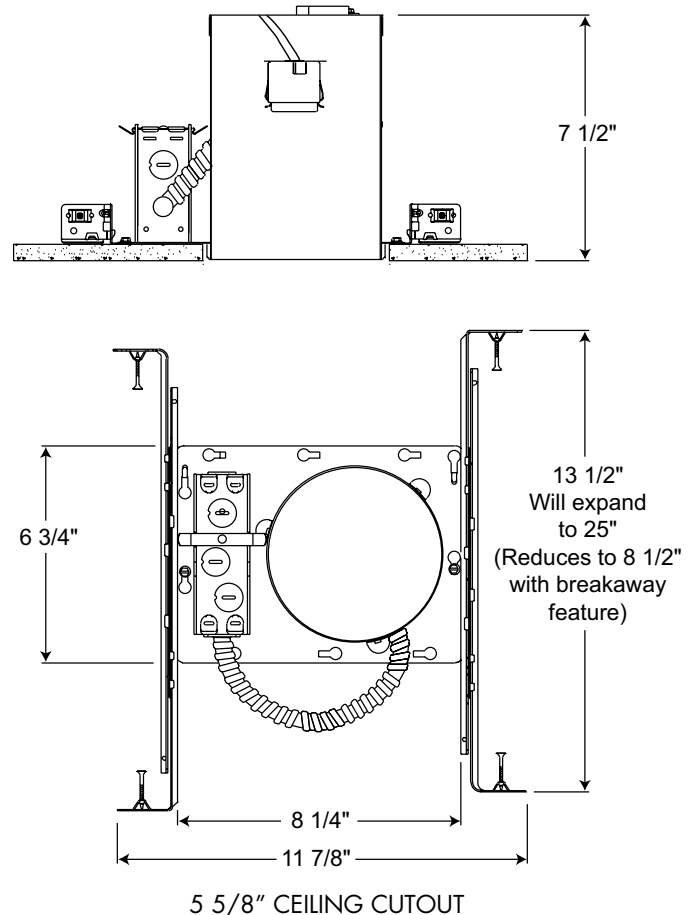
Real Nail 2 Bar Hanger (S options) Small bar hanger foot designed to install directly on strapping construction material • Features Real Nail captive nail system for quick one-step installation • G2405 accessory clips required for suspended ceiling installation.

Junction Box Pre-wired junction box provided with (5) ½" and (1) ¾" knockouts, (4) Non-metallic sheathed cable connectors and ground wire, UL listed/CSA certified for through-branch wiring, maximum 8 No. 12 AWG 90° C branch circuit conductors (4 in, 4 out) • Junction box provided with removable access plates • Knockouts equipped with pryout slots • **W options** are supplied with **push-in electrical connectors** for fast installation.

Mounting Frame 22-gauge die-formed galvanized steel mounting frame • Rough-in section (junction box, mounting frame, housing and bar hangers) fully assembled for ease of installation • Sight lines embossed on mounting frame to allow for easy viewing when aligning fixtures • Pre-installed Air-Loc gasket for **G options.**

Housing IC housing, .032" aluminum sealed for Air-Loc Compliance • Housing is vertically adjustable to accommodate up to a 1" ceiling thickness.

DIMENSIONS



Accessories

Catalog Number	Description
ALG5	Air-Loc Gasket
G2405	T-Bar Clips (Set of 4), for S option only

To order, specify catalog number.

PRODUCT CODES

Catalog Number		Input Voltage	Lamp Rating
IC20N	5" Incandescent No Socket Plate New Construction IC Housing	120V	A19/BR30/PAR20/PAR30/PAR30L/R20/R30 (See page 2 for max. trim rating)
IC20N G	5" Incandescent No Socket Plate New Construction IC Housing with pre-installed Air-Loc gasket	120V	A19/BR30/PAR20/PAR30/PAR30L/R20/R30 (See page 2 for max. trim rating)
IC20N W	5" Incandescent No Socket Plate New Construction IC Housing with push-in electrical connectors for fast, secure installation	120V	A19/BR30/PAR20/PAR30/PAR30L/R20/R30 (See page 2 for max. trim rating)
IC20N W G	5" Incandescent No Socket Plate New Construction IC Housing with push-in electrical connectors and pre-installed Air-Loc gasket	120V	A19/BR30/PAR20/PAR30/PAR30L/R20/R30 (See page 2 for max. trim rating)




Housing and trim can be ordered together or separate, but will always ship separately.

5" UNIVERSAL IC HOUSING

INCANDESCENT LAMPS

IC20N SERIES

TRIMS/LAMPS

	Catalog Number	Description	Max. Lamp Rating
	215 BWH ◆◆	Enclosed, Black Baffle, White Trim Ring	65W BR30
	215 WWH ◆◆	Enclosed, White Baffle, White Trim Ring	
	216 CWH ◆◆	Enclosed, Clear Alzak® Cone, White Trim Ring	65W BR30
	216 GWH ◆◆	Enclosed, Gold Cone, White Trim Ring	
	216 WWH ◆◆	Enclosed, White Cone, White Trim Ring	
	216 HZWH ◆◆	Enclosed, Haze Cone, White Trim Ring	
	216 WHZWH ◆◆	Enclosed, Wheat Haze Cone, White Trim Ring	
	208N BWH	Eyeball with Baffle, Black, White Trim Ring	50W PAR20/R20
	208N WWH	Eyeball with Baffle, White, White Trim Ring	
	529 WH	Eyeball Trim, White	75W PAR30
	529 SC	Eyeball Trim, Satin Chrome	
	529 ABZ	Eyeball Trim, Classic Aged Bronze	
	210N WH ◆	Lensed Flat Glass Shower Trim, White	35W PAR30L
	210N SC ◆	Lensed Flat Glass Shower Trim, Satin Chrome	
	210N ABZ ◆	Lensed Flat Glass Shower Trim, Classic Aged Bronze	

Trim Size: 6¼" O.D. (except Cat No. 529 - 6½" O.D.)
Alzak is a registered trademark of Alcoa Corp.
Note: In Canada when insulation is present,
Type IC fixtures must be used.

 JUNO IC housings meet IECC Energy Code requirements per ASTM E283.

Air-Loc® rated trims are pre-gasketed for minimum air leakage with IC housings.

◆ UL Listed for use in wet location.

◆◆ UL Listed for use in wet location with outdoor rated lamp.

Housing and trim can be ordered together or separate, but will always ship separately.