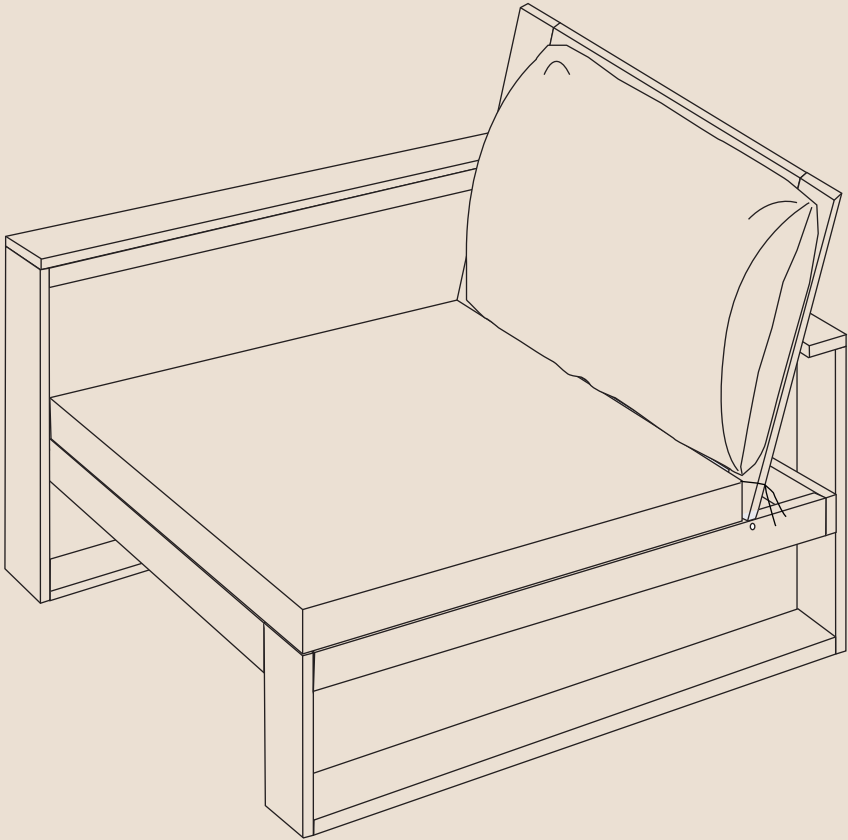


WWT
WESTINTRENDS
WWT

DESIGNED IN CALIFORNIA



— PATIO DEEP SEATING LEFT ARM
CHAIR WITH CUSHION —

THANK YOU!

We appreciate you for choosing WestinTrends!

Thank you for letting WestinTrends continue to offer accessible luxury trends, inspired by everyone!

JOIN THE WESTINTRENDS COMMUNITY

Sign up here:

[***https://westintrends.com/welcome***](https://westintrends.com/welcome)



QUESTIONS OR COMMENTS?

If you have questions reach out to
[**cs@westintrends.com**](mailto:cs@westintrends.com)

FOLLOW, SHARE, & LEARN



PRODUCT REGISTRATION

[***https://westintrends.com/apps/product-registration***](https://westintrends.com/apps/product-registration)

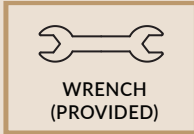
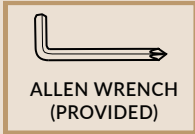


! CARE & MAINTENANCE

Please keep this instruction for your future reference.

- Be careful when assembly, avoid hurting the top surface.
- Clean the chair with lukewarm water, mild detergent & soft cloth.
- Firmly secure all bolts before use, do not use any part of this item as a step ladder.
- Reconfirm that all bolts, screws, and nuts are secure every 90 days.
- Do not use or store this item in the proximity of open flame or flammable/combustible chemicals.
- Be aware that some parts are heavy and have sharp edges.
- Do not overtighten screws. (Insert all screws before tighten screws.)
- Please do not exceed the weight limitations of this item.




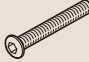




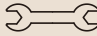
TOOLS REQUIRED



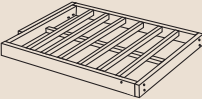


CHAIR
300 LBS
CAPACITY



HARDWARE

1 SCREW M6.3 x 40mm  14 PCS	2 SCREW M6.3 x 55mm  1 PC	3 SCREW M4 x 30mm  4 PCS	4 BOLT M6 x 55mm  2 PCS	5 M6 WASHER  4 PCS
6 M6 NUT  4 PCS	7 BOLT M6 x 60mm  2 PCS	8 ALLEN WRENCH  1 PC	9 WRENCH  1 PC	

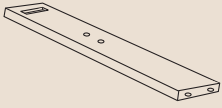
PARTS

A2 CHAIR SEAT  1 PC	B2 BACKREST  1 PC	C2 BOTTOM BAR  1 PC
--	--	---

PARTS

D2

REAR LEG



1 PC

E2

FRONT LEG



1 PC

F2

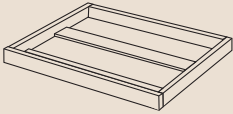
BACK SUPPORT



1 PC

G2

CHAIR LEFT ARM

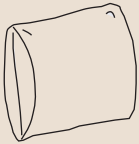


1 PC

CUSHION

Z1

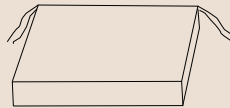
BACK CUSHION



1 PC

Z2

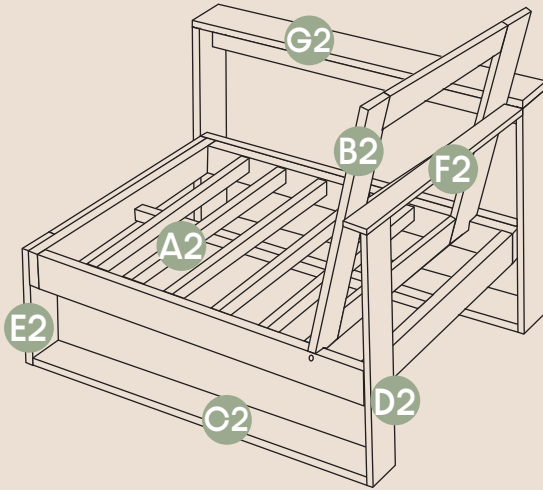
SEAT CUSHION



1 PC

PRODUCT ASSEMBLY - OVERALL VIEW

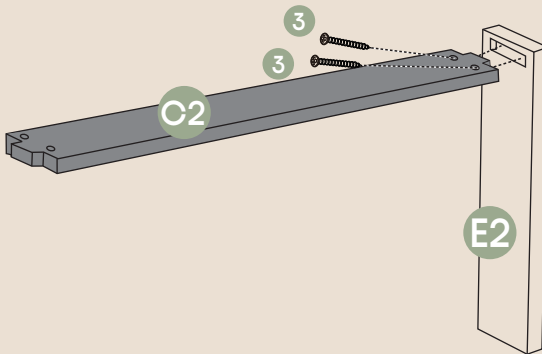
Look at following overall view of this chair and learn the exact position of each part to be assembled.



PRODUCT ASSEMBLY

1

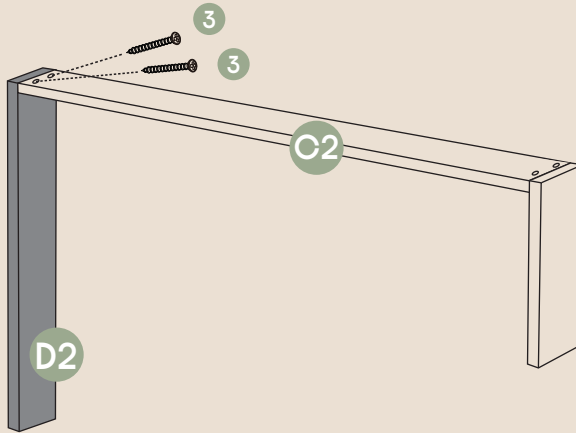
Attach **Part C2 Bottom Bar** to **Part E2 Front Leg** with 2 pcs of **Hardware #3 Screw**.



PRODUCT ASSEMBLY

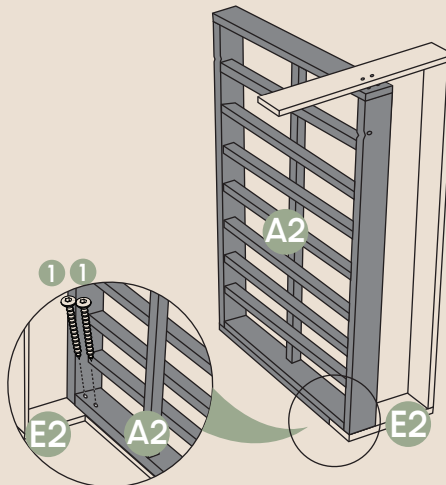
2

Attach Part D2 Rear Leg to Part C2 Bottom Bar with 2 pcs of Hardware #3 Bolt.



3

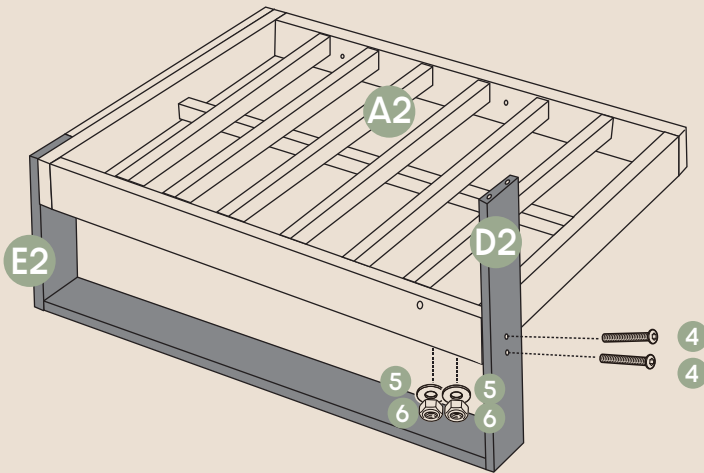
Attach Part A2 Chair Seat to Part E2 Front Leg with 2 pcs of Hardware #1 Screw.



PRODUCT ASSEMBLY

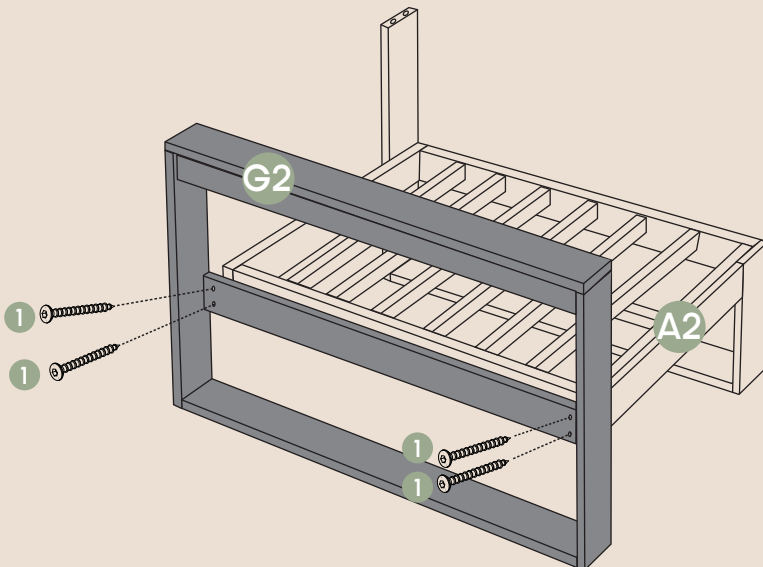
4

Attach Part D2 Rear Leg to Part A2 Chair Seat with 2 sets of Hardware #4 Bolt, #5 Washer and #6 Nut.



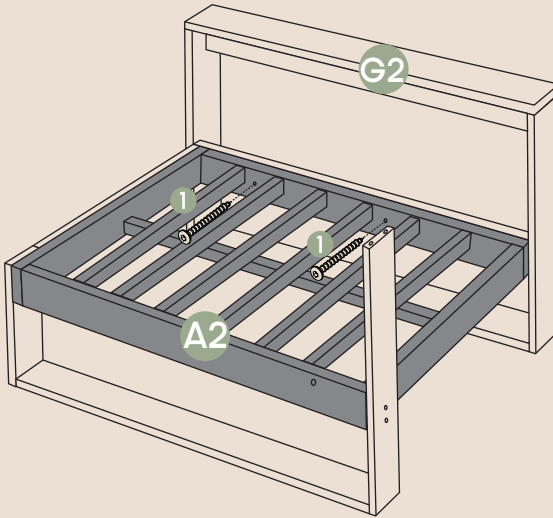
5

Attach Part G2 Chair Right Arm to Part A2 Chair Seat as below with 4 pcs of Hardware #1 Screw.



6

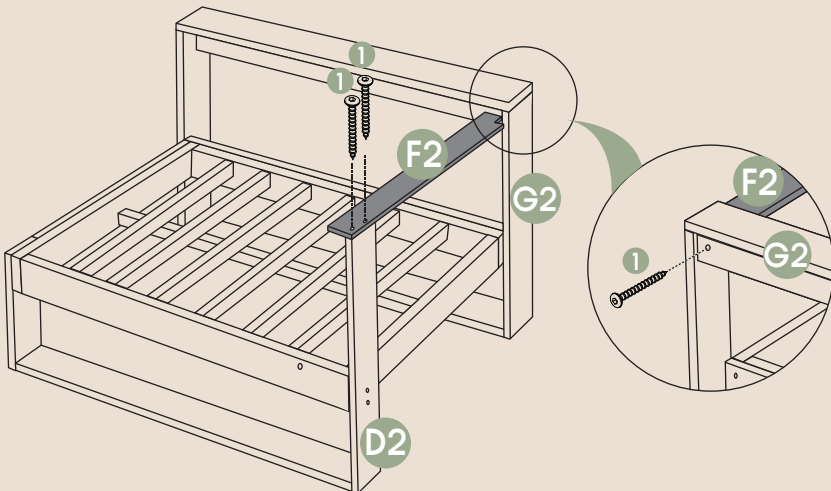
Attach **Part A2 Chair Seat** to **Part G2 Chair Right Arm** from inside with 2 pcs of **Hardware #1 Screw**.



7

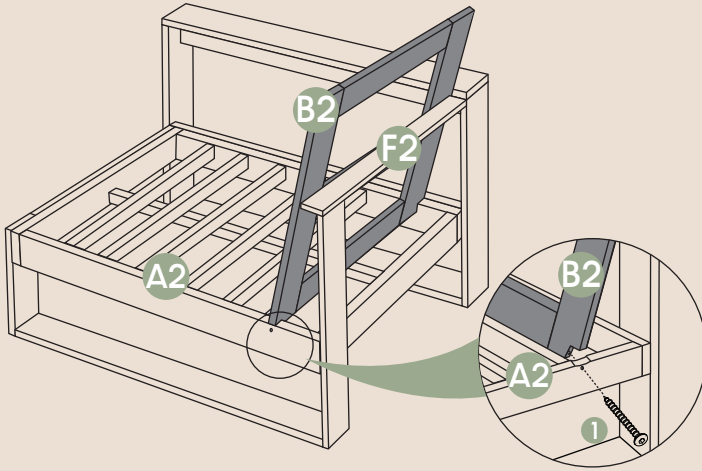
Place **Part F2 Back Support** as below and attach the **Part F2 Back Support** to **Part D2 Rear Leg** with 2 pcs of **Hardware #1 Screw**.

Attach **Part F2 Back Support** to **Part G2 Chair Right Arm** with 1 pc of **Hardware #1 Screw**.



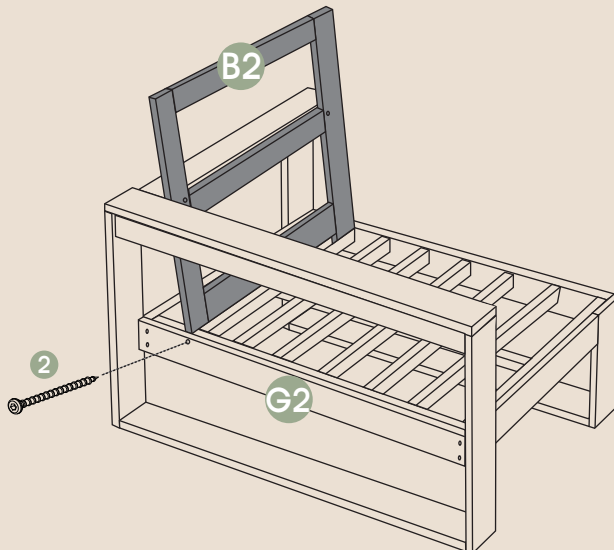
8

Place **Part B2 Backrest** onto **Part A2 Chair Seat** and **Part F2 Back Support** as below and attach with 1 pc of **Hardware #1 Screw**.



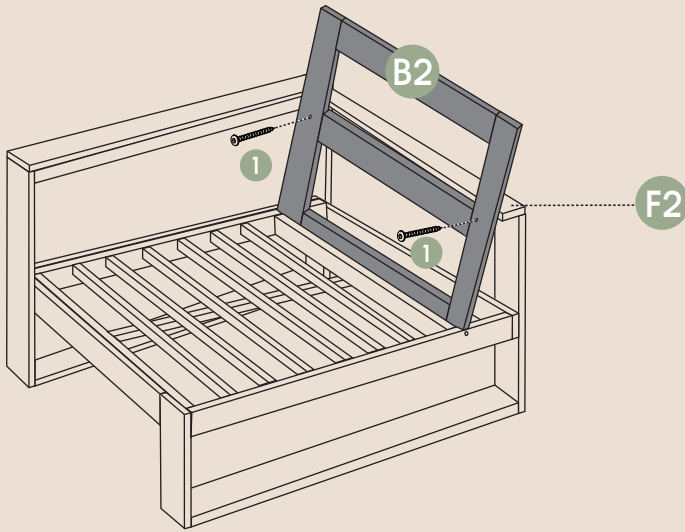
9

Attach **Part B2 Backrest** to **Part G2 Chair Right Arm** and **Part A2 Chair Seat** with 1 pc of **Hardware #2 Screw**.



10

Attach **Part B2 Backrest** to **Part F2 Back Support** with 2 pcs of **Hardware #1 Screw**.

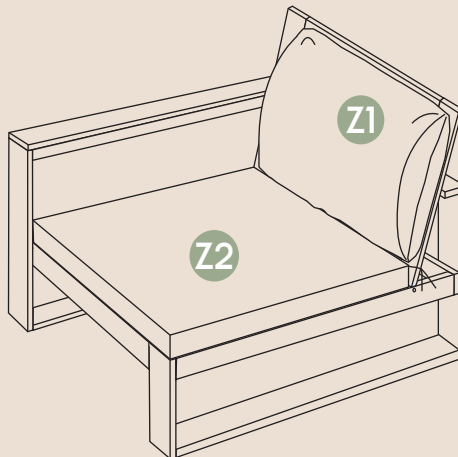


11

Check and tighten all the screws when the parts are loosely attached.

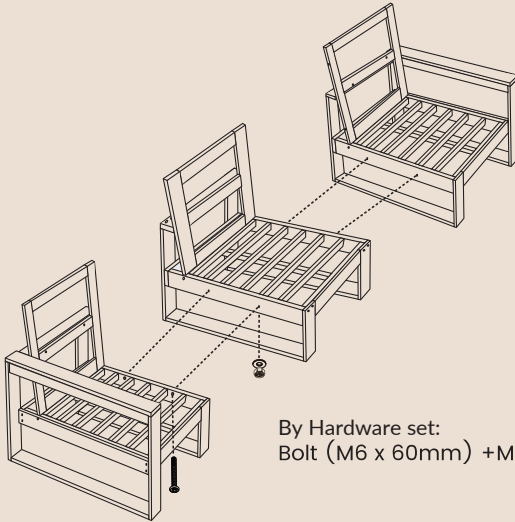
Place **Cushion Z1** and **Z2** onto the chair for comfortable use.

Tie the **Seat Cushion** to the **Chair Backrest** to make it steady.

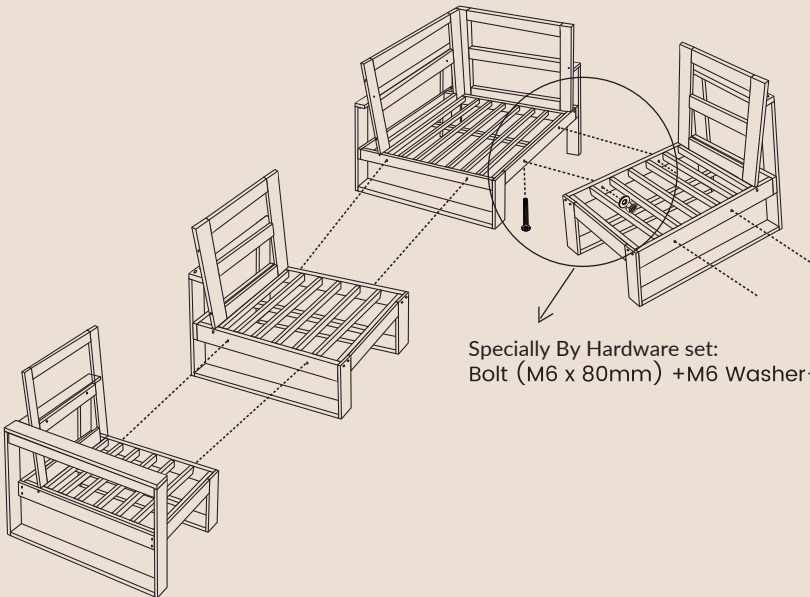


PRODUCT ASSEMBLY TIPS

This model can be combined with other Patio series products to form comfortable sofa set by connecting the seats together as following methods.



By Hardware set:
Bolt (M6 x 60mm) +M6 Washer+M6 Nut



Specially By Hardware set:
Bolt (M6 x 80mm) +M6 Washer+M6 Nut

REGISTRATION & REFUND POLICY

<https://westintrends.com/apps/product-registration>



<https://westintrends.com/policies/refund-policy>



HAVING TROUBLE

- **Not sure how to assemble or missing pieces?**

Please contact our Customer Service Team for assistance at cs@westintrends.com

Have Order #, Part # or SKU ready to speed up customer service!

CLEANING TIPS

REGULAR CLEAN: Use a mixture of warm water and mild soap. Gently scrub the surface with a soft bristle brush to remove any dirt or stains.

QUICK CLEAN: You can simply wipe down the HDPE furniture with a damp cloth. The material's resilience makes it resistant to most spills and stains, ensuring a hassle-free maintenance routine.

Regular cleaning not only preserves the aesthetic appeal of your furniture but also helps extend its lifespan.

Pressure washer can be used for seriously deep-cleaning - **DO NOT exceed 1500 PSI** - this will remove any debris and dirt.