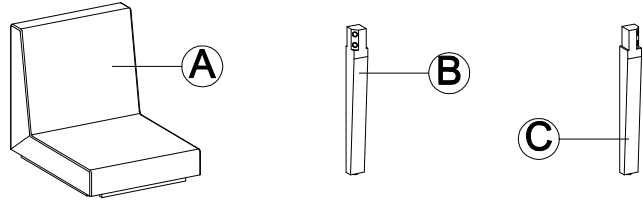


ONE SIDE CHAIR ASSEMBLY INSTRUCTIONS



PARTS PACKING CONFIGURATIONS

A. SEAT 2PCS
B. LEG B 4PCS
C. LEG C 4PCS



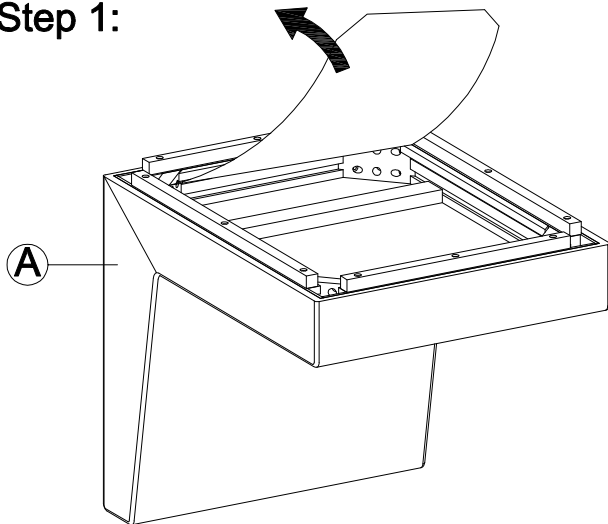
HARDWARE KIT PACKED IN BOX (for 2 chairs)

NO.	DESCRIPTION	IMAGE	Q'TY
1	ALLEN BOLT (5/16"x2-1/4")		16 PCS
2	LOCK WASHER (5/16")		16 PCS
3	FLAT WASHER (5/16")		16 PCS
4	ALLEN KEY (5mm)		2 PCS

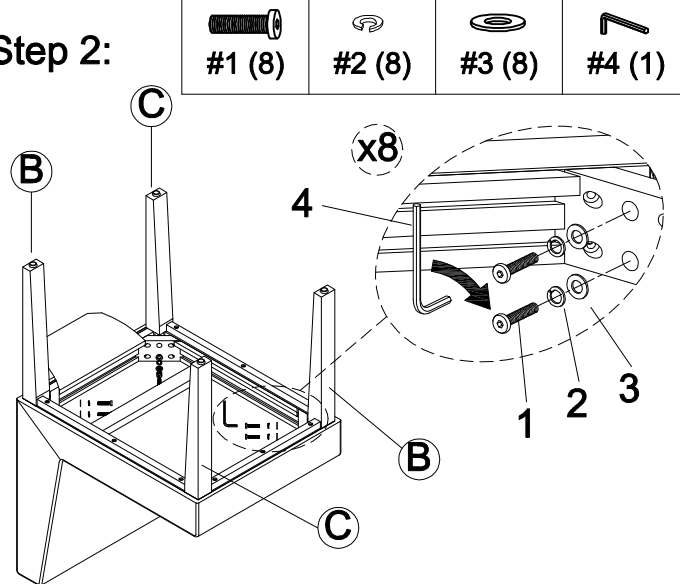
FULLY ASSEMBLED



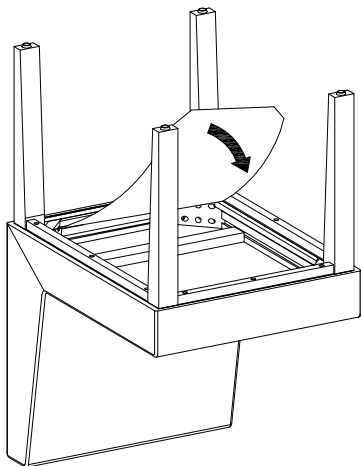
Step 1:



Step 2:



Step 3:



ASSEMBLY COMPLETE

