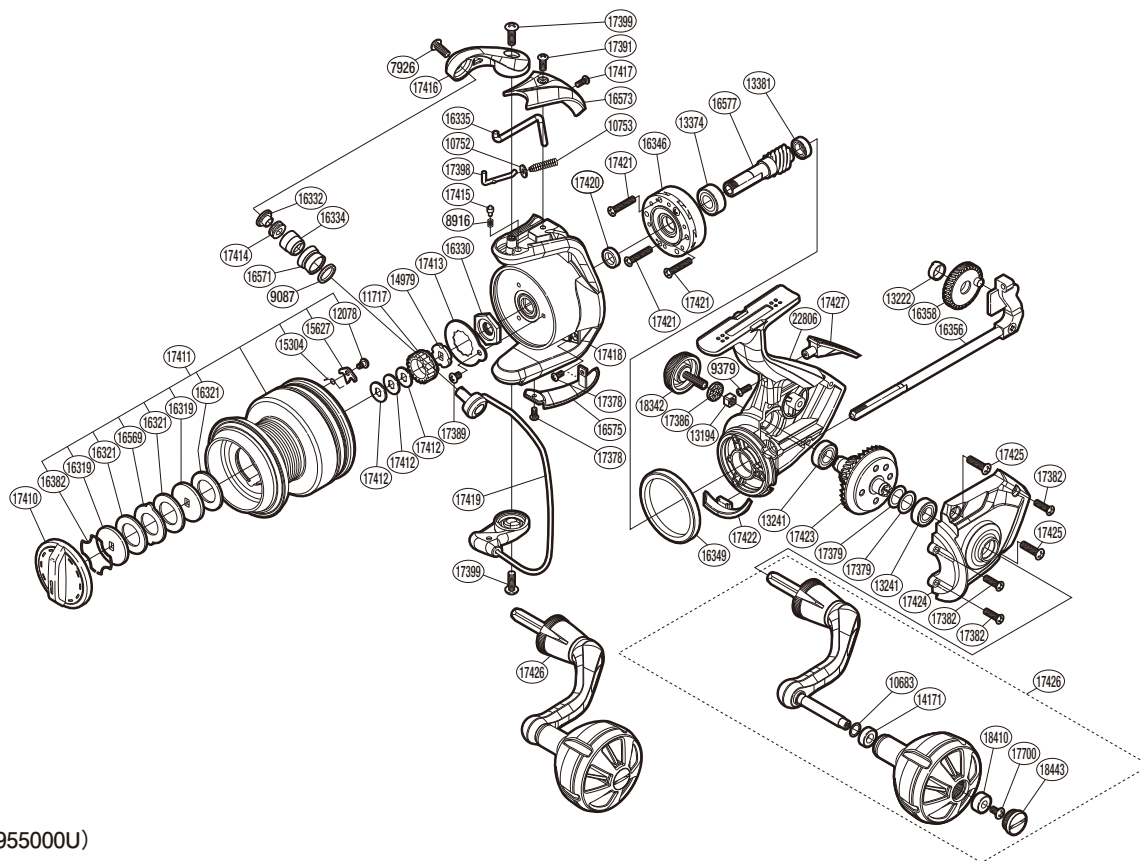


# SHIMANO

## SOCORRO SW

## SOC-5000SW



(51SE955000U)

#	Part No.	Description	#	Part No.	Description	#	Part No.	Description
7926	103HN	Screw	16334	107RN	Line Roller Bushing	17412	10PH7	Spool Washer
8916	10CH0	Click Spring	16335	106KM	Bail Trip Lever	17413	10TN8	Rotor Nut Retainer
9087	10KFE	Line Roller Spacer	16346	10QPE	Roller Clutch Assembly	17414	10TN7	Line Roller Collar
9379	10L1U	Screw	16349	104G7	Friction Ring	17415	106ZC	Click Pin
10683	10HTT	Washer	16356	10NF5	Main Shaft Assembly	17416	10TP9	Bail Arm
10752	10TYE	Bail Spring Guide A Support	16358	10G9P	Oscillating Gear	17417	10L1T	Screw
10753	10FVD	Bail Spring	16382	10B8P	Drag Washers Retainer	17418	10TP5	Rotor
11717	10Q03	Spool Support A	16569	102ZB	Eared Washer	17419	10EF2	Bail Assembly
12078	10PH4	Screw	16571	10KY0	Line Roller	17420	10J2E	Rotor Bushing
13194	104NX	Handle Screw Lock	16573	1087Z	Bail Spring Cover	17421	10LJ1	Screw
13222	10JYG	Oscillating Gear Bushing	16575	10MNC	Bail Hold Support Guard	17422	10TQE	Bail Trip Strike
13241	104JD	Ball Bearing	16577	10C24	Pinion Gear	17423	10TQB	Drive Gear
13374	104Q5	Ball Bearing	17378	10L1R	Screw	17424	10TRA	Side Cover
13381	104JT	Ball Bearing	17379	10GR3	Washer	17425	10L9W	Screw
14171	104UJ	Handle Knob Bushing	17382	10L6J	Screw	17426	10DG1	Handle Assembly
14979	10J03	Spool Support B	17386	10J6B	Handle Screw Cap Spacer	17427	10TQD	Body I.D Plate
15304	10JM4	Drag Click Spring	17389	10LHN	Screw	17700	10LFA	Screw
15627	1038E	Drag Click	17391	10LFK	Screw	18342	10SUX	Handle Screw Cap Assembly
16319	10BC8	Key Washer	17398	105LU	Bail Spring Guide A	18410	10EU0	Handle Knob Bushing A
16321	10347	Drag Washer	17399	10LLJ	Screw	18443	10R3B	Handle Knob Seal
16330	10811	Rotor Nut	17410	1029L	Drag Knob	22806	1463M	Body
16332	107X4	Line Roller Washer	17411	1029Q	Spool Assembly			

Please note that the number of adjusting washers may not be the same as shown in the exploded views.  
(Adjustment will vary with each individual product.)

(230801)\_005