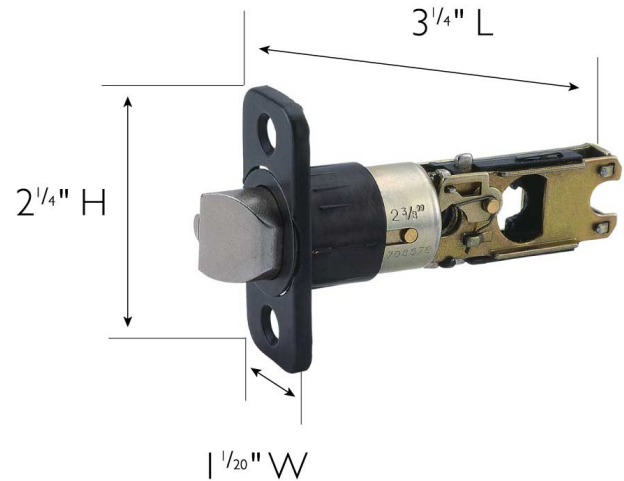


### 6-Way Universal Replacement Entry Latch

Oil Rubbed Bronze



## SPECIFICATIONS

<b>MATERIAL CONSTRUCTION:</b>	Zinc	<b>REMOVABLE CORE:</b>	No
<b>LOCK FUNCTION:</b>	Latch	<b>LATCH FACEPLATE:</b>	Round Corner
<b>DEADBOLT FUNCTION:</b>	N/A	<b>LATCH BACKSET:</b>	Adj. 2-3/8" 2-3/4"
<b>EXTERIOR MAX PROJECTION:</b>	N/A	<b>LATCH TYPE:</b>	6 Way / Universal / Drive-in
<b>INTERIOR MAX PROJECTION:</b>	N/A	<b>LATCHBOLT THROW DISTANCE:</b>	0.5
<b>ASSEMBLED WEIGHT:</b>	0.24 lbs	<b>SPINDLE TYPE:</b>	Half-Moon
<b>ASSEMBLED HEIGHT:</b>	2.25" H	<b>MOUNTING HARDWARE INCLUDED:</b>	Yes
<b>ASSEMBLED LENGTH:</b>	3.25" L	<b>TOOLS NEEDED FOR INSTALLATION:</b>	Screwdriver
<b>ASSEMBLED WIDTH:</b>	1.05" W		
<b>CROSS BORE:</b>	2.13"		
<b>EDGE BORE:</b>	1"		
<b>HANDING:</b>	Reversible		

<b>WARRANTY:</b>	5-Year limited warranty
<b>ANSI CERTIFICATION:</b>	Grade 3
<b>BHMA GRADE:</b>	3
<b>FIRE RATED:</b>	No
<b>ADA COMPLIANT:</b>	No



<b>TYPE:</b> <b>JOB:</b> <b>ORDER CODE:</b> <b>APPROVALS:</b>
--