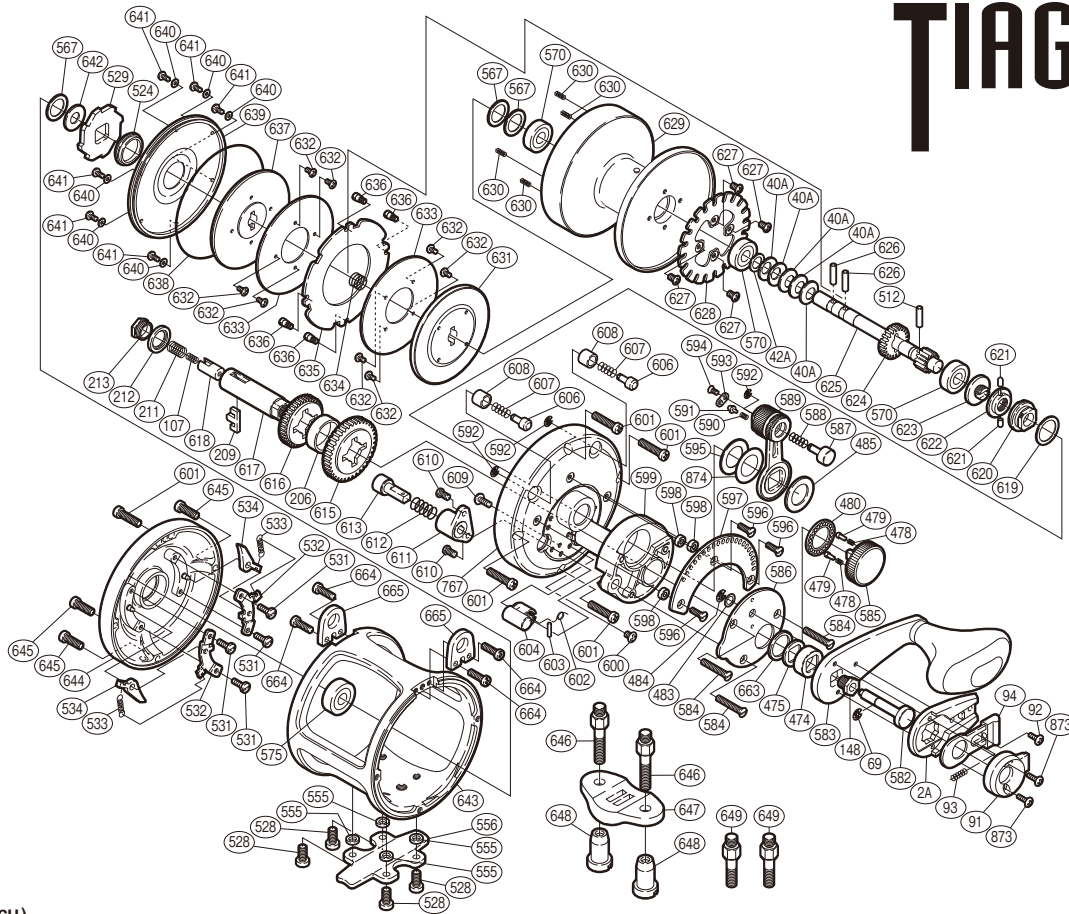


# SHIMANO

# TIAGRA

TI-16



(51RJ200016U)

| #     | Part No. | Description               | #    | Part No. | Description                | #    | Part No. | Description                    |
|-------|----------|---------------------------|------|----------|----------------------------|------|----------|--------------------------------|
| 0002A | 10QUC    | Handle Bolt Plate         | 0583 | 102TX    | Handle Assembly            | 0622 | 1089F    | Pre-Program Key                |
| 0040A | 1052C    | Pre-Load Spring           | 0584 | 10PHS    | Cover Screw                | 0623 | 1088Y    | Pre-Program Screw              |
| 0042A | 104L7    | Bearing Thrust Washer     | 0585 | 108H6    | Pre-Program Dial           | 0624 | 10N9K    | Pinion Gear (B)                |
| 0069  | 105NK    | E Lock                    | 0586 | 10BHN    | Lever Hub Cover            | 0625 | 10HYK    | Pinion Shaft                   |
| 0091  | 109XD    | Push Button Shield        | 0587 | 10C3Q    | Drag Control Button        | 0626 | 10MCU    | Cross Pin (B)                  |
| 0092  | 10LZ9    | Handle Bolt Plate Screw   | 0588 | 10C3R    | Drag Control Button Spring | 0627 | 103L4    | Alert Ratchet Screw            |
| 0093  | 10PWH    | Slide Plate Spring        | 0589 | 108B2    | Drag Control Lever         | 0628 | 105WX    | Alert Ratchet                  |
| 0094  | 109XC    | Slide Plate               | 0590 | 10C3W    | Lever Click Shoe           | 0629 | 10EML    | Spool                          |
| 0107  | 109VM    | Drive Shaft Spring B      | 0591 | 10C3S    | Lever Click                | 0630 | 10KJ6    | Drag Plate Spring              |
| 0148  | 106XL    | Handle Bolt               | 0592 | 105NC    | E Lock                     | 0631 | 10EVV    | Pressure Plate (A)             |
| 0206  | 10D61    | Friction Washer (C)       | 0593 | 10C3Y    | Lever Click Cover          | 0632 | 10MT4    | Drag Washer Screw              |
| 0209  | 10KXH    | Gear Select Cross Bar     | 0594 | 10MGG    | Lever Click Cover Screw    | 0633 | 10G13    | Drag Washer                    |
| 0211  | 10KXQ    | Drive Shaft Spring        | 0595 | 10HWR    | Lever Thrust Ring (A)      | 0634 | 10CCW    | Pressure Plate Spring          |
| 0212  | 10D5B    | Friction Washer (A)       | 0596 | 10PHR    | Quadrant Anchor Bolt       | 0635 | 10G4A    | Drag Plate                     |
| 0213  | 10FCD    | Drive Shaft Screw         | 0597 | 10C9S    | Lever Quadrant             | 0636 | 104R6    | Drag Plate Screw               |
| 0474  | 10KZQ    | Drive Shaft Shield        | 0598 | 10CA6    | Lever Quadrant Bushing     | 0637 | 10E26    | Pressure Plate (B)             |
| 0475  | 107QW    | Drive Shaft Thrust Washer | 0599 | 10F3S    | Right Side Plate (B)       | 0638 | 10E21    | O Ring (A)                     |
| 0478  | 10K06    | Friction Shoe Spring      | 0600 | 103H3    | Drive Shaft Holder Screw   | 0639 | 104QX    | Cooling Shield                 |
| 0479  | 1035W    | Dial Click Shoe           | 0601 | 10PRP    | Right Side Plate Screw     | 0640 | 10HX1    | Cooling Shield Washer          |
| 0480  | 10J1W    | Dial Click                | 0602 | 10F1T    | Cross Pin Support Spring   | 0641 | 10LVJ    | Cooling Shield Screw           |
| 0483  | 109RR    | Dial Washer               | 0603 | 10E2T    | Plunger Cross Pin (B)      | 0642 | 10KNU    | Bearing Spacer                 |
| 0484  | 105NG    | E Lock                    | 0604 | 10E2N    | Plunger Cross Pin Support  | 0643 | 1059M    | One-Piece Frame                |
| 0485  | 109RQ    | Lever Thrust Ring (B)     | 0606 | 10CA9    | Free Spool Detent          | 0644 | 107ZA    | Left Side Plate                |
| 0512  | 104LD    | Cross Pin (A)             | 0607 | 10BNP    | Pressure Spring            | 0645 | 10PRR    | Left Side Plate Screw          |
| 0524  | 10EW9    | Waterproof Ring           | 0608 | 10CAG    | Detent Bushing             | 0663 | 10HYQ    | Bearing Spacer                 |
| 0528  | 10PV9    | Stand Screw               | 0609 | 103DH    | Right Side Plate (B) Screw | 0664 | 10MBJ    | Harness Lug Screw              |
| 0529  | 10DAH    | Anti-Reverse Ratchet      | 0610 | 103HE    | Plunger Holder Screw       | 0665 | 10PYF    | Harness Lug                    |
| 0531  | 103E9    | Set Plate Screw           | 0611 | 108CZ    | Plunger Holder             | 0767 | 10BL5    | Right Side Plate (A)           |
| 0532  | 10KVD    | Set Plate                 | 0612 | 10GV2    | Plunger Spring             | 0873 | 10PHP    | Screw                          |
| 0533  | 10C8U    | Dog Spring                | 0613 | 108D9    | Alert Plunger              | 0874 | 10GFE    | Washer                         |
| 0534  | 10PKF    | Dog                       | 0615 | 10QK8    | Drive Gear (A)             |      |          |                                |
| 0555  | 10PSY    | Stand Washer              | 0616 | 109WU    | Drive Gear (B)             |      |          |                                |
| 0556  | 10NV9    | Stand                     | 0617 | 10D5V    | Drive Shaft                |      |          |                                |
| 0567  | 10JDE    | Bearing Thrust Washer (B) | 0618 | 10KXM    | Cross Bar Stop             | 0646 | 10JBU    | Rod Clamp Bolt (Accessory)     |
| 0570  | 104VH    | Ball Bearing              | 0619 | 10HWV    | Lever Shaft Body Washer    | 0647 | 10J9T    | Rod Clamp (Accessory)          |
| 0575  | 10BMH    | Ball Bearing              | 0620 | 10CC6    | Lever Shaft Body           | 0648 | 10JC7    | Rod Clamp Nut (A) (Accessory)  |
| 0582  | 109X8    | Push Low Button Shaft     | 0621 | 10EWR    | Pre-Program Key Pin        | 0649 | 10CXS    | Rod Clamp Bolt (S) (Accessory) |

Please note that the number of adjusting washers may not be the same as shown in the exploded views. (Adjustment will vary with each individual product.)

(230301)\_002