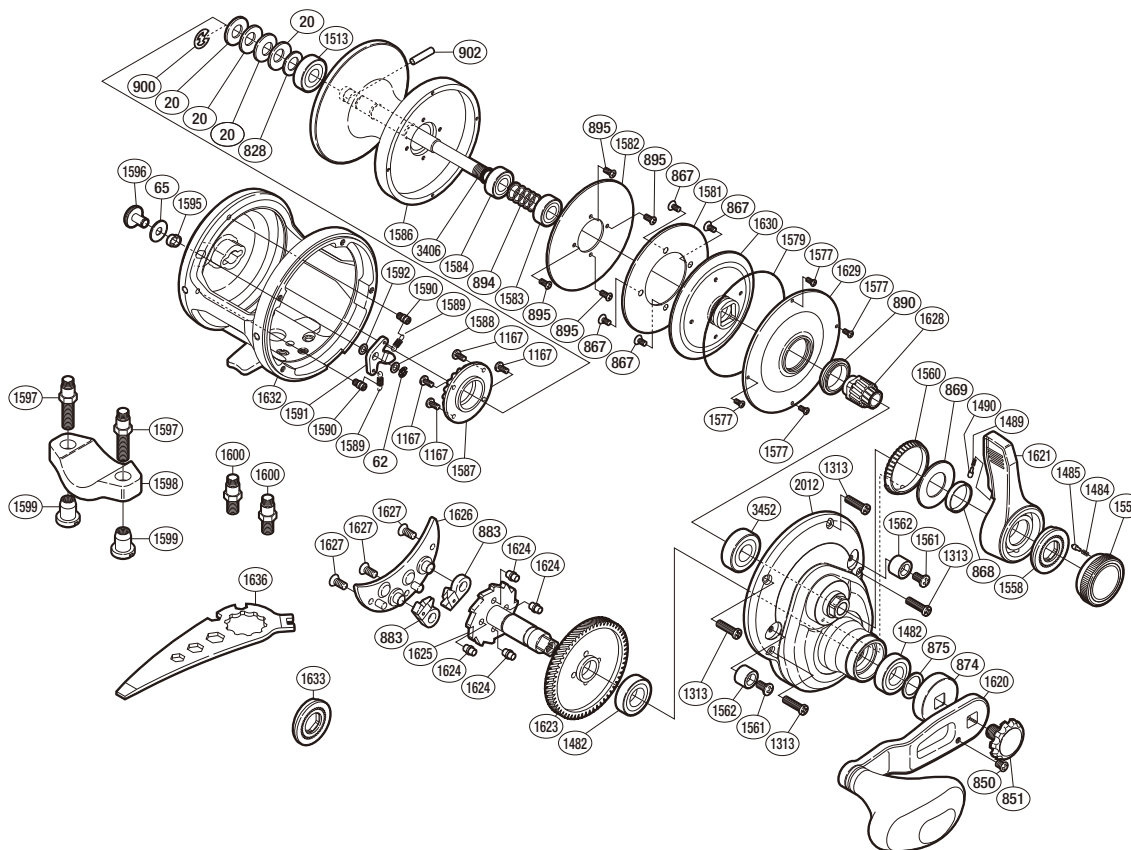


SHIMANO

TALICA

TAC-12



(51RJ260012U)

#	Part No.	Description	#	Part No.	Description	#	Part No.	Description
0020	1052C	Coned Disc Spring	1490	10C3V	Lever Click	1621	108BB	Drag Control Lever
0062	105NK	E Lock	1513	104VJ	Ball Bearing	1623	10QKD	Drive Gear
0065	104H2	Spacer	1557	108F9	Pre-Program Dial	1624	10KXU	Anti-Reverse Ratchet Pin
0828	104L7	Bearing Thrust Washer	1558	10CCA	Lever Shaft Body	1625	10A2U	Anti-Reverse Ratchet
0850	10MC5	Screw	1560	10F6B	Lever Click Gear	1626	10MU2	Set Plate
0851	106XM	Handle Bolt	1561	10M6J	Screw	1627	10MLJ	Screw
0867	10MGG	Screw	1562	10CAC	Bolt Shield	1628	10A4G	Pinion Gear
0868	108DN	Lever Thrust Ring	1577	10PRU	Screw	1629	104R1	Cooling Shield
0869	10J19	Washer	1579	10EZ3	O Ring	1630	10AC1	Pinion Guard
0874	107QY	Gear Shaft Shield	1581	10G4F	Drag Plate	1632	10KBH	One-Piece Frame
0875	10J1C	Washer	1582	10G3U	Drag Washer	2012	109G0	Right Side Plate
0883	10MWC	Anti-Reverse Pawl	1583	104Q5	Ball Bearing	3406	10SL2	Spool Shaft
0890	10EW9	Waterproof Ring	1584	104Q7	Ball Bearing	3452	10T2K	Ball Bearing
0894	1060C	Pressure Release Spring	1586	10GYS	Spool			
0895	10MPN	Screw	1587	106AS	Click Gear Support			
0900	105RZ	E Lock	1588	10GA5	Spacer	1597	10JC1	Rod Clamp Bolt (Accessory)
0902	10MCU	Cross Pin	1589	104B0	Click Pawl Spring	1598	10AS1	Rod Clamp (Accessory)
1167	10MGL	Screw	1590	108W4	Click Spring Shaft	1599	10JCD	Rod Clamp Nut (Accessory)
1313	10M6T	Screw	1591	10GQW	Click Pawl	1600	10CXU	Rod Clamp Bolt S (Accessory)
1482	104PW	Ball Bearing	1592	10GA6	Spacer			
1484	10K07	Click Spring	1595	104MS	Click Switch Cam	1636	10MJ7	Wrench (Accessory)
1485	10JX6	Click Pin	1596	104GX	Click Button			
1489	10C3X	Lever Click Shoe	1620	102VK	Handle	1633	10C63	Lever Shaft Body (Sfs) (Accessory)

Please note that the number of adjusting washers may not be the same as shown in the exploded views.
(Adjustment will vary with each individual product.)

(230306)_003