

# SPEAKMAN® S-2280

## Commercial Brass Showerhead

### FEATURES:

- Vandal-resistant standard.
- 1/2 in. NPTF inlet.
- 3 1/2 in. square brass shank
- Spray adjusting T-handle
- Brass rigid ball joint
- 2.5 gpm (9.45 L/min) flow rate
- 4 Plungers, 32 sprays

### FINISH:



PC

### OPTION:

Add suffix to model #

- Anchor plate assembly with mounting screws  -AP
- Ball joint  -BJ

### COMPLIANCE:

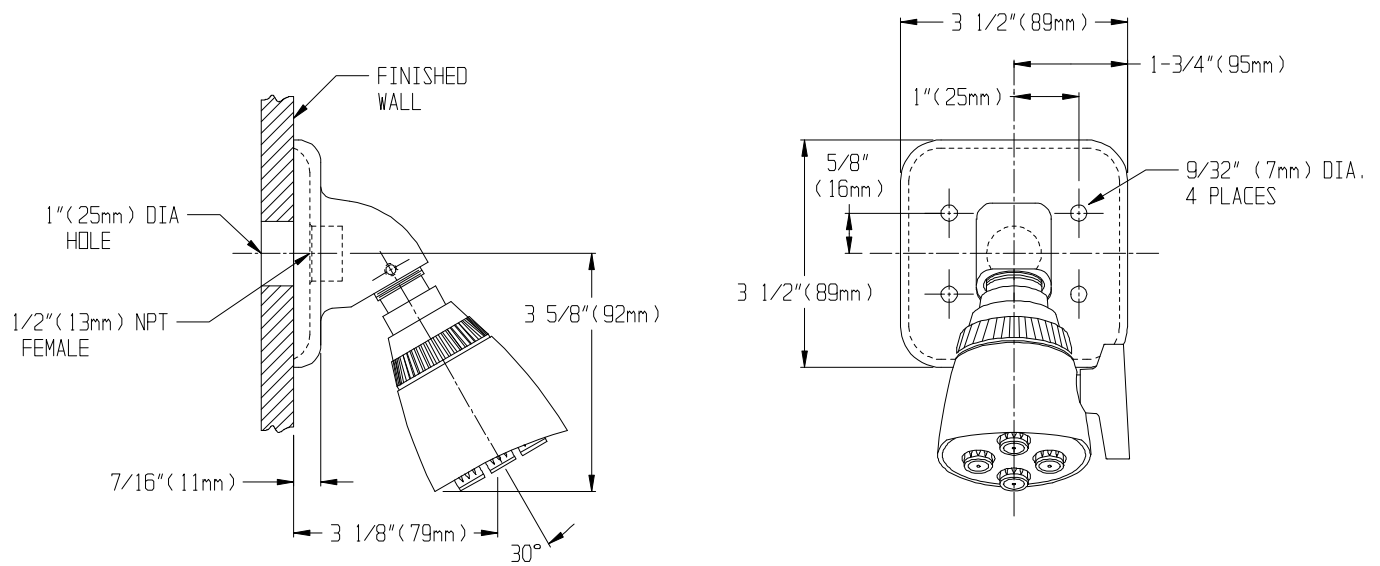
- ASME A112.18.1/CSA B125.1 standard

### WARRANTY:

- 5 year limited



**DIMENSIONS:** NOTE: 1. All dimensions are in inches (millimeters) unless otherwise specified and are subject to change without notice. 2. Unless otherwise specified, all inlets and outlets are 1/2" female NPT threads.



# SPEAKMAN® S-2292

## Commercial Showerhead

### FEATURES:

- 1¾ in. brass shank
- Spray adjusting T-handle
- Brass ball swivel joint
- Flow control device reduces flow to 2.5 gpm (9.46 L/min) flow rate

### FINISH:



PC

### COMPLIANCE:

- ASME A112.18.1/CSA B125.1 standard

### WARRANTY:

- 5 year limited



Architect/Engineer Approval Space:

SPEAKMAN  
400 ANCHOR MILL ROAD  
NEW CASTLE, DE 19720

P: 800-537-2107  
F: 800-977-2747  
W: WWW.SPEAKMAN.COM  
R: OCTOBER 2017

**DIMENSIONS:** NOTE: 1. All dimensions are in inches (millimeters) unless otherwise specified and are subject to change without notice. 2. Unless otherwise specified, all inlets and outlets are 1/2" female NPT threads.

