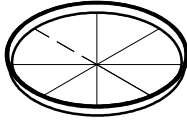
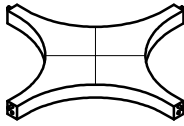
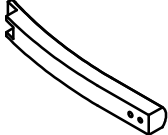
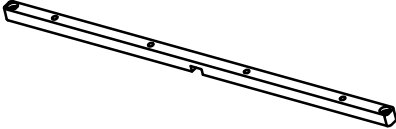
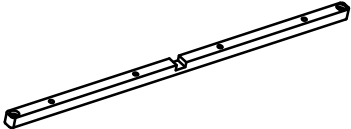


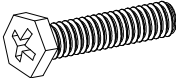
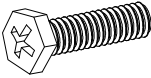


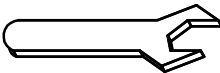
Thank you for purchasing this quality product. Be sure to unpack carefully looking for small parts which may have come loose during shipment.

Read all instruction and study the drawing carefully before starting the assembly process.

PARTS LIST

Item No	Drawing	Description	Qty
1		Table Top	1pc
2		Shelf	1pc
3		Leg	4pcs
4		Stretchers	1pc
5		Stretchers	1pc

HARDWARE PACK

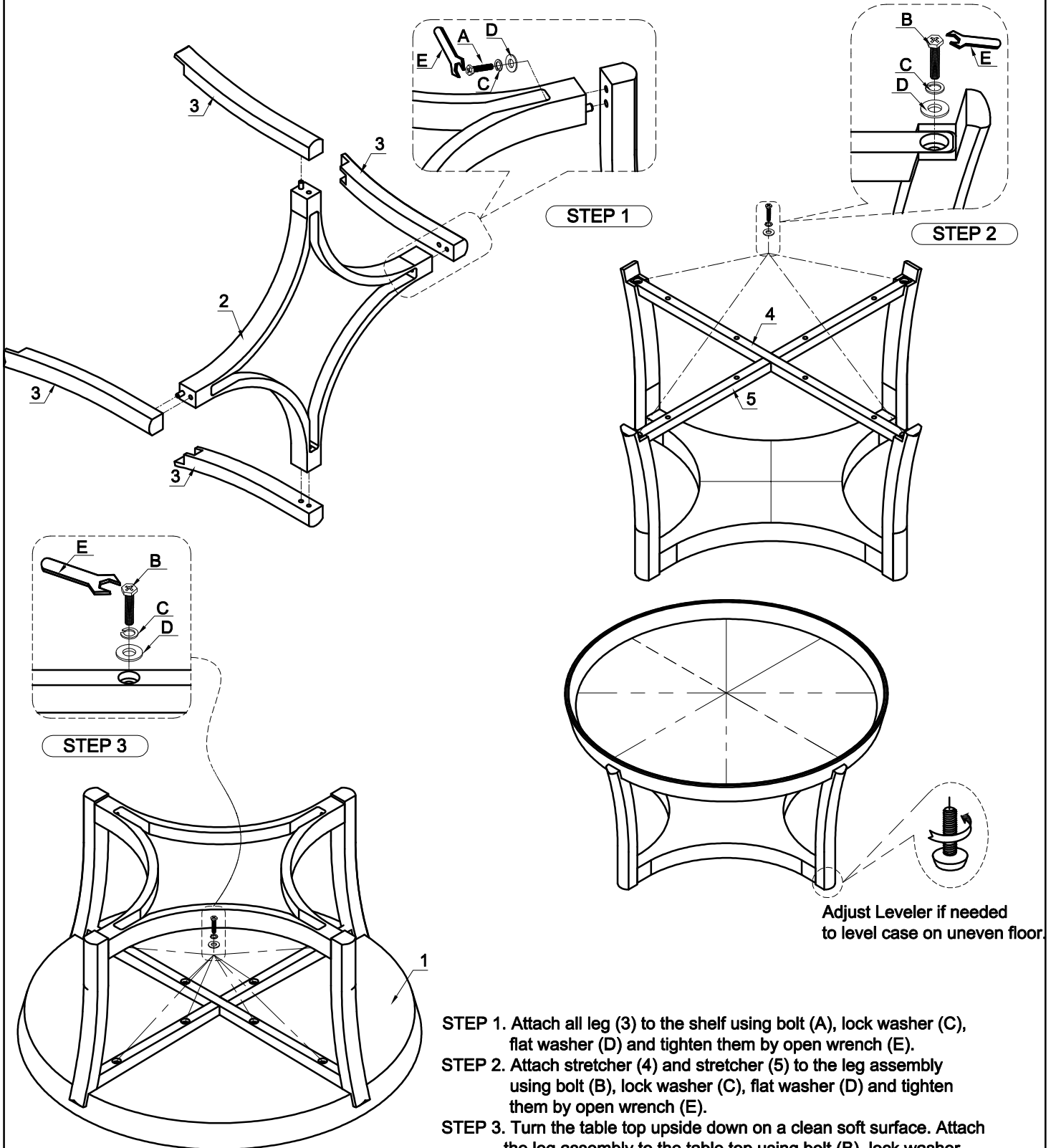
NO	DRAWING	DESCRIPTION	SIZE	Q'ty
A		Hexagonal Bolt	Ø1/4"*2-1/2"	4pcs
B		Hexagonal Bolt	Ø1/4"*1-1/4"	12pcs
C		Lock Washer	Ø1/4"	16pcs
D		Flat Washer	Ø1/4"*16D	16pcs
E		Open Wrench	11mm	1pc

ASSEMBLY INSTRUCTION

ITEM: 6050-80111-GRY Round Cocktail Table

Thank you for purchasing this quality product. Be sure to unpack carefully looking for small parts which may have come loose during shipment.

Read all instruction and study the drawing carefully before starting the assembly process.



- STEP 1. Attach all leg (3) to the shelf using bolt (A), lock washer (C), flat washer (D) and tighten them by open wrench (E).
- STEP 2. Attach stretcher (4) and stretcher (5) to the leg assembly using bolt (B), lock washer (C), flat washer (D) and tighten them by open wrench (E).
- STEP 3. Turn the table top (1) upside down on a clean soft surface. Attach the leg assembly to the table top using bolt (B), lock washer (C), flat washer (D) and tighten them by open wrench (E).

Adjust Leveler if needed to level case on uneven floor.