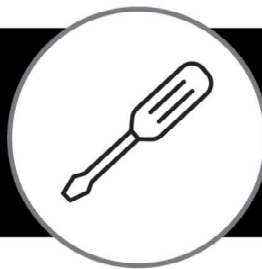


# Assembly Guide

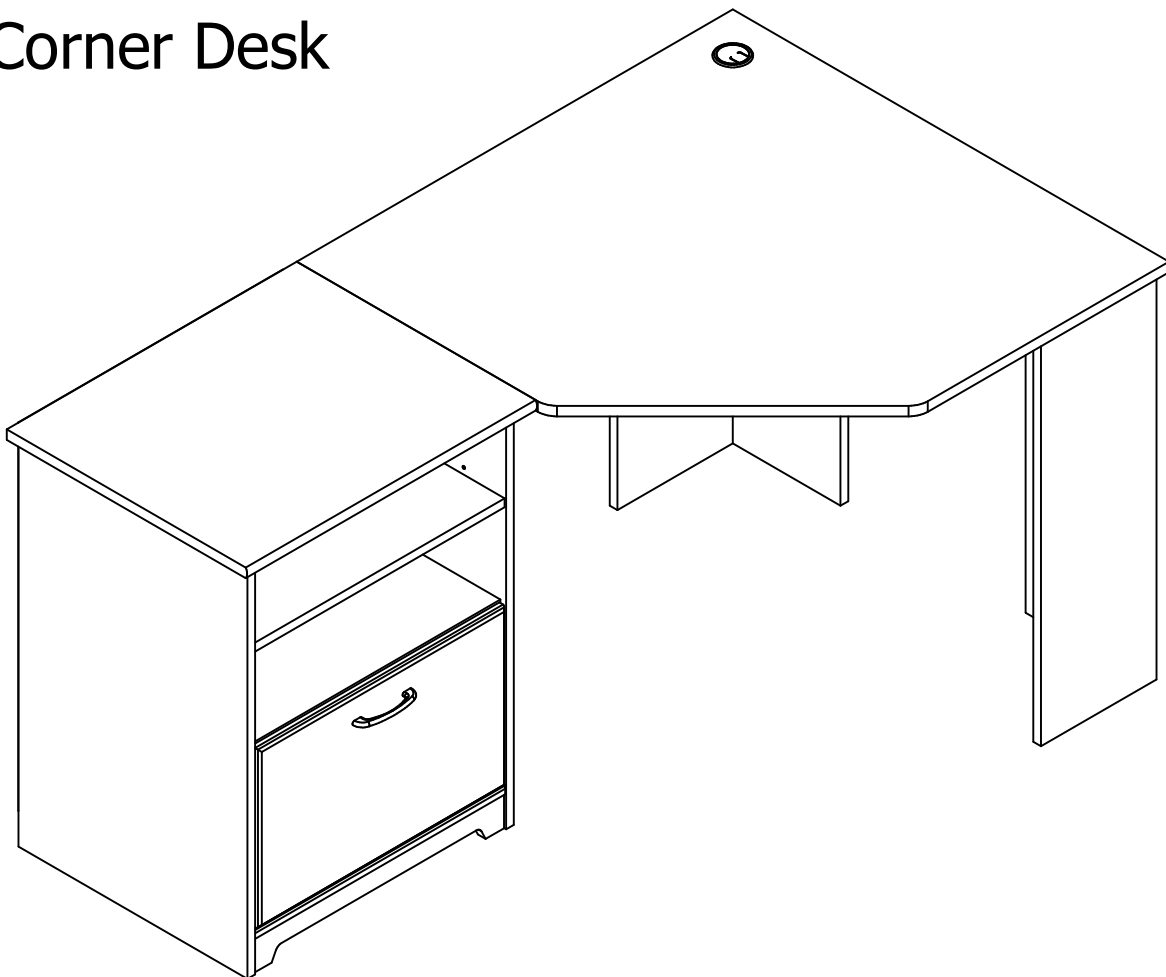


If you're having any difficulty during assembly of this product, don't hesitate to call us at **1-800-950-4782.**

Our customer service experts are trained to provide step-by-step instruction and can easily replace any missing or damaged parts.

**Representatives are available Monday-Friday from 8:30 a.m. to 7:30 p.m. (ET)**

## Corner Desk



Lot Code #

Instruction Sheet Number A175369C

Keep manual for future reference.

## For best results, keep these tips in mind:

- ① We know you want to finish this assembly as quickly as possible, but trust us: you'll have a better experience if you take it one step at a time.
- ② Give yourself some room to work near where you want the fully assembled product.
- ③ If your floor isn't carpeted, assemble this product on the empty carton to avoid scratching.
- ④ Do you have a friend who owes you a favor? Some steps may go a little easier with a second set of hands.

### DOs

- ✔ Use a #2 Phillips head screwdriver (or other handheld tools as indicated)
- ✔ Wear safety glasses at all times during assembly
- ✔ Carefully follow the instructions in this guide and complete all steps in order
- ✔ Give us a call if you're having trouble with a particularly tricky step

### DON'Ts

- ✘ We know power tools are quick and easy, but you shouldn't use them when assembling this product (unless otherwise specified)
- ✘ Never move your furniture with items inside or resting on the surface
- ✘ Do not attempt to use this product before all steps have been completed



## Watch assembly videos right on your phone or computer!



Some steps include QR codes that link to helpful videos. Watch out for the icon below! Simply open up your smartphone camera to scan the code.

*(Users of older smartphones may need to install a QR Reader.)*

SCAN HERE



FOR VIDEOS

Or visit <https://www.bushbusinessfurniture.com/CustomerService/HowtoAssemble.aspx>

# IMPORTANT SAFETY INFORMATION



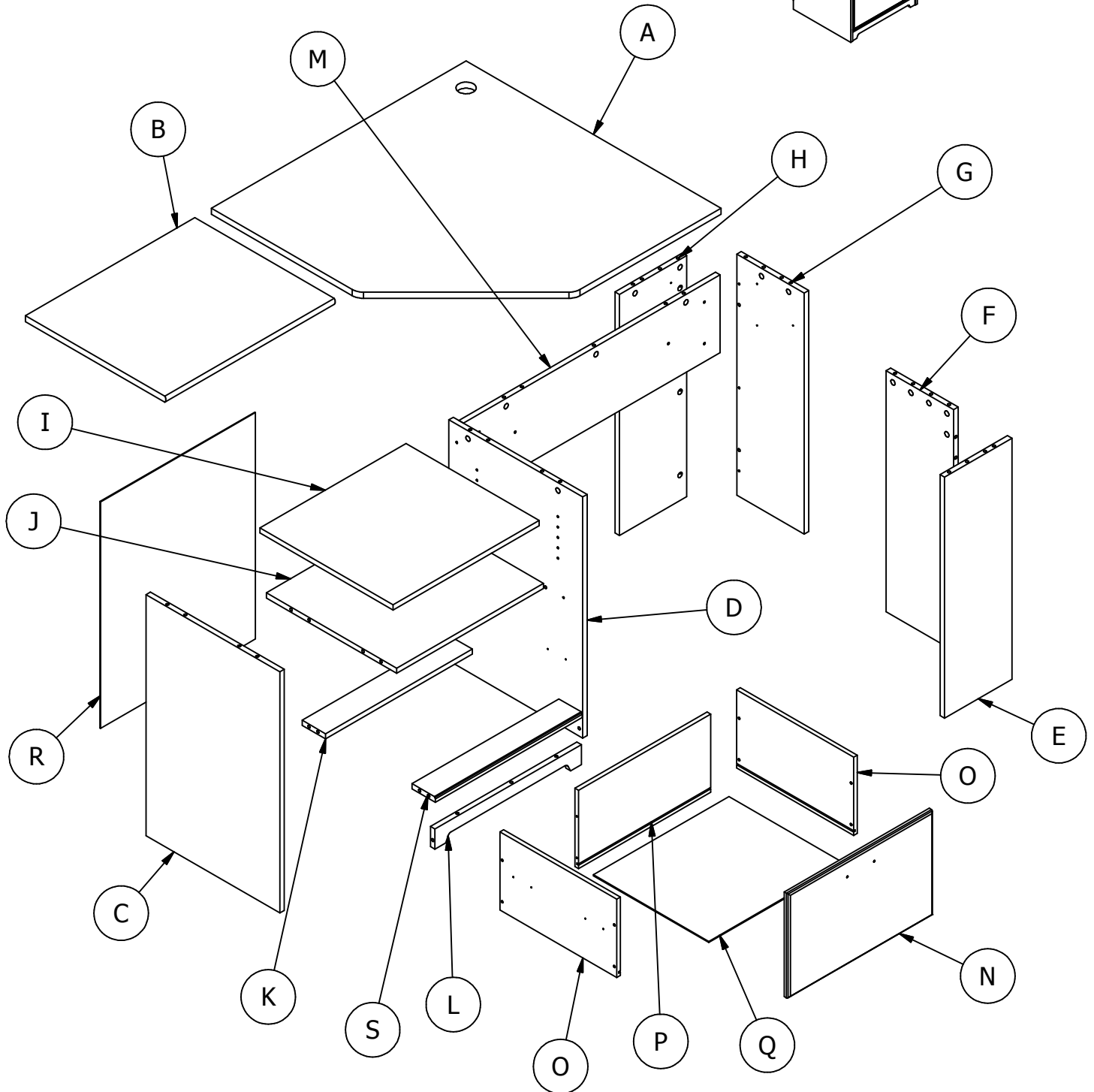
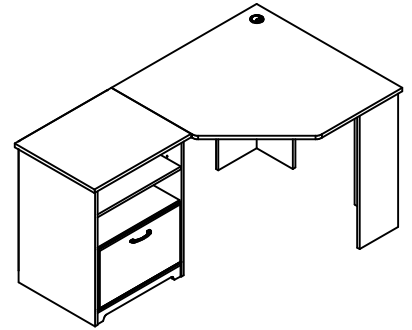
## PLEASE READ WARNINGS

Improper use can cause safety hazards, or damage to your furniture and household items.

Warning	Do	Don't	Why it's important
<b>Serious injury may occur.</b>	<ul style="list-style-type: none"><li>Assemble following all instructions using all indicated parts and hardware provided.</li></ul>	<ul style="list-style-type: none"><li>Do not move unit when loaded.</li><li>Do not load with a television or other heavy equipment.</li><li>Do not exceed the maximum load limits stated in the instructions.</li></ul>	Improper assembly, use or loading can lead to product instability, tip-over or collapse.

Advertencia	Hacer	No	Por qué es importante
<b>Se pueden producir lesiones graves.</b>	<ul style="list-style-type: none"><li>Ensamble siguiendo todas las instrucciones utilizando todas las piezas y ferretería indicados provistos.</li></ul>	<ul style="list-style-type: none"><li>No mueva la unidad cuando esté cargada.</li><li>No cargue con un televisor u otro equipo pesado.</li><li>No exceda los límites máximos de carga establecidos en las instrucciones.</li></ul>	El ensamblaje, uso o carga inadecuados pueden provocar inestabilidad del producto, vuelco o colapso.

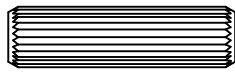
Avertissement	Faire	Ne le fais pas	Pourquoi c'est important
<b>Des blessures graves peuvent survenir.</b>	<ul style="list-style-type: none"><li>Assemblez en suivant toutes les instructions en utilisant toutes les pièces et le matériel indiqués fournis.</li></ul>	<ul style="list-style-type: none"><li>Ne déplacez pas l'unité lorsqu'elle est chargée.</li><li>Ne chargez pas avec un téléviseur ou un autre équipement lourd.</li><li>Ne dépassez pas les limites de charge maximale indiquées dans les instructions.</li></ul>	Un assemblage, une utilisation ou un chargement incorrects peuvent entraîner une instabilité du produit, un renversement ou un effondrement.



Have an assembly question or need a replacement part? Just call  
**1-800-950-4782**, we are here to help.

Fasteners are shown actual size.

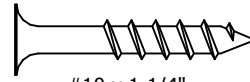
H38169



[ 26 ]

Wood Dowel 8 x 30

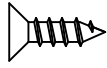
H26053



[ 4 ]

#10 x 1-1/4"

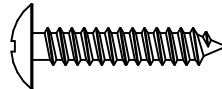
H128624



[ 4 ]

#8 x .5"

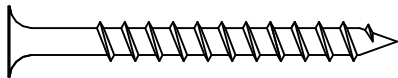
H23682



[ 3 ]

#10 x 1"

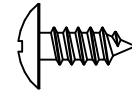
H23491



[ 2 ]

#10 x 2"

H35251



[ 8 ]

#10 x 1/2"

H72988



[ 34 ]

KD Bolt

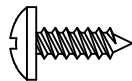
H71659



[ 34 ]

KD Cam

H27310



[ 16 ]

#8 x 1/2"

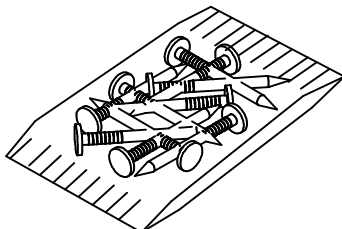
H92848



[ 2 ]

M4 x 25mm

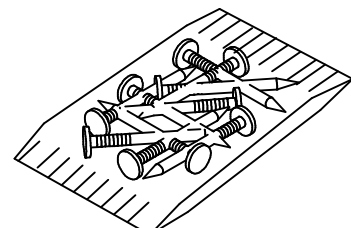
Q75494



[ 1 ]

Nail Bag (10)

Q85389



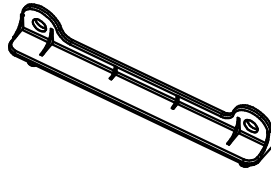
[ 1 ]

Nail Bag (20)

Have an assembly question or need a replacement part? Just call  
**1-800-950-4782**, we are here to help.

Hardware not to scale.

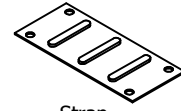
H100446



[ 2 ]

Drawer Bracket

H39922



[ 1 ]

Strap

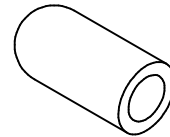
H23604



[ 4 ]

Shelf Pin

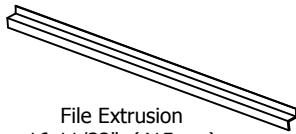
H126396



[ 4 ]

Shelf Pin Sleeve

H94305



[ 2 ]

File Extrusion  
16-11/32" (415mm)

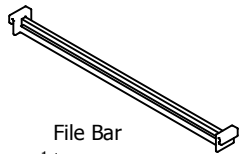
H166199



[ 1 ]

Front File Extrusion  
18-5/16" (465 mm)

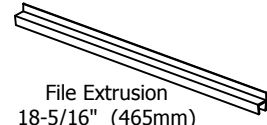
H126832



[ 1 ]

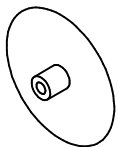
File Bar  
15-1/2" (394mm)

H166198



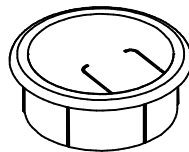
[ 1 ]

File Extrusion  
18-5/16" (465mm)



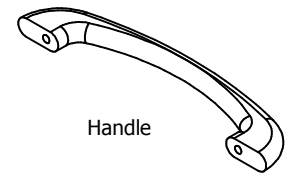
[ 22 ]

Cover Cap



[ 1 ]

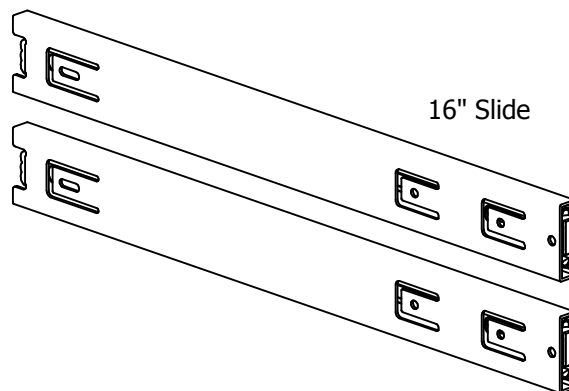
Grommet



[ 1 ]

Handle

Q162813



16" Slide

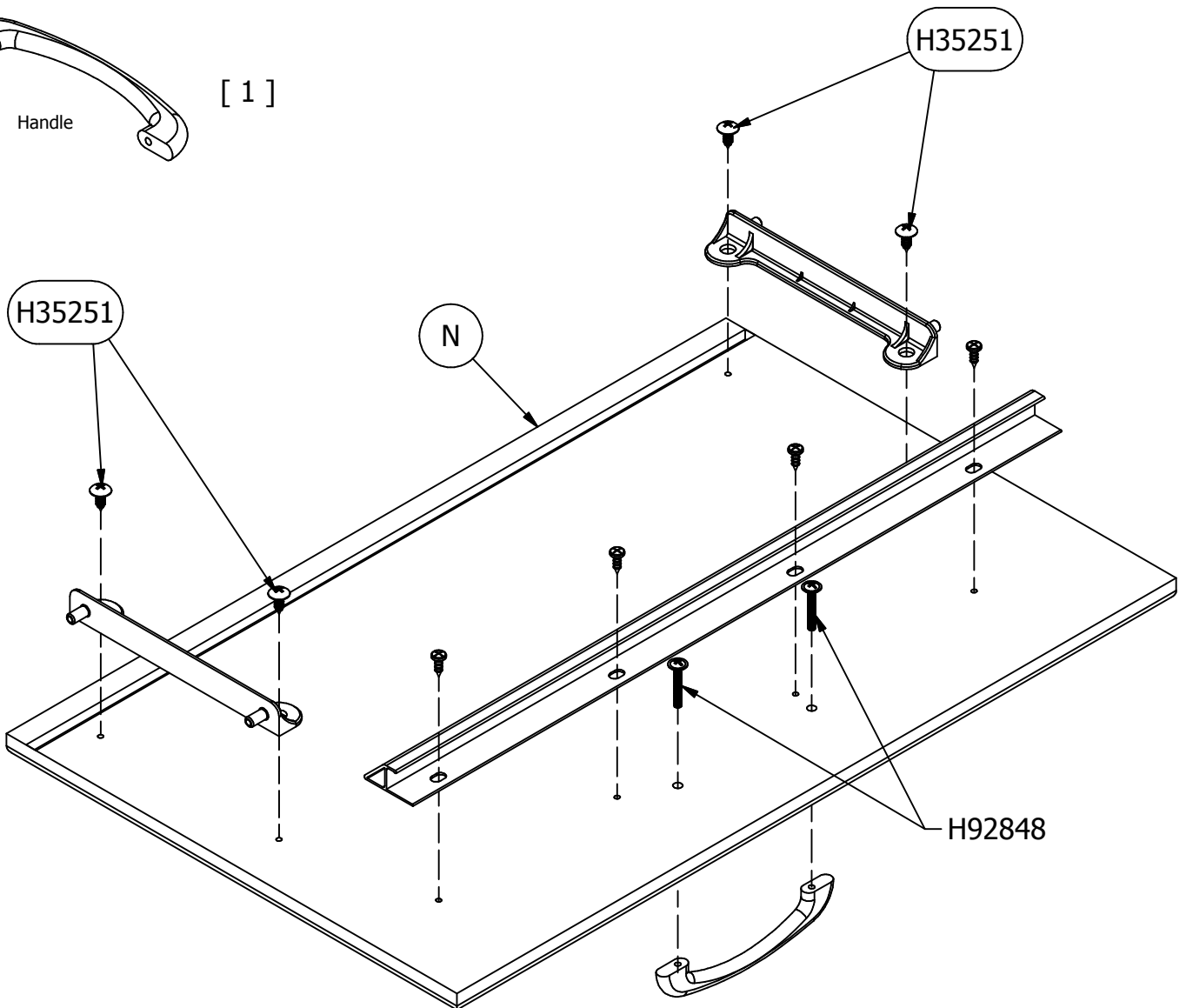
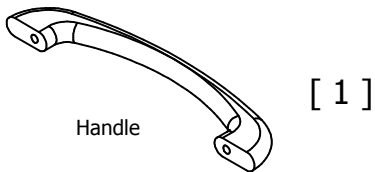
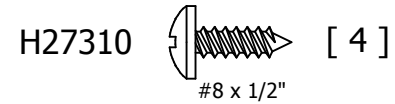
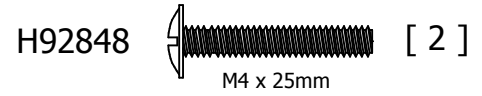
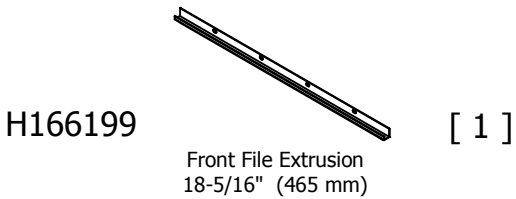
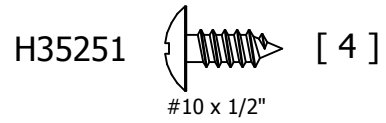
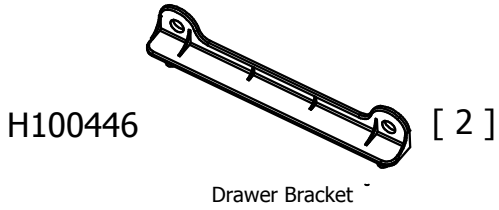
[ 1 ]

Have an assembly question or need a replacement part? Just call  
**1-800-950-4782**, we are here to help.

# STEP 1

## Prepare Drawer Front

A175369C



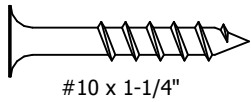
Have an assembly question or need a replacement part? Just call  
**1-800-950-4782**, we are here to help.

# STEP 2

# Assemble Drawer

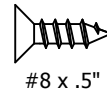
A175369C

H26053

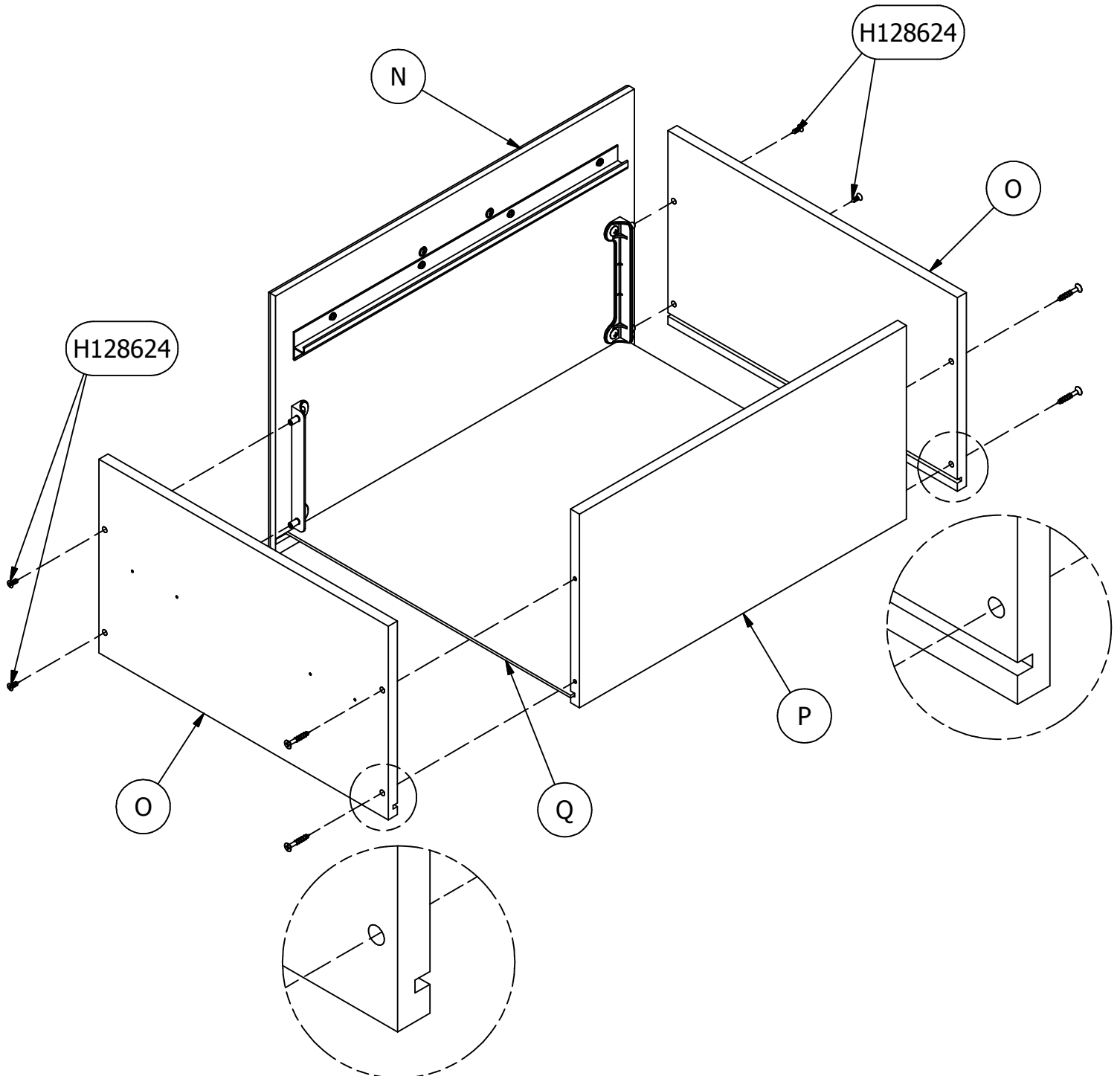


[ 4 ]

H128624



[ 4 ]



Have an assembly question or need a replacement part? Just call  
**1-800-950-4782**, we are here to help.



Scan QR Code to Watch Video on:

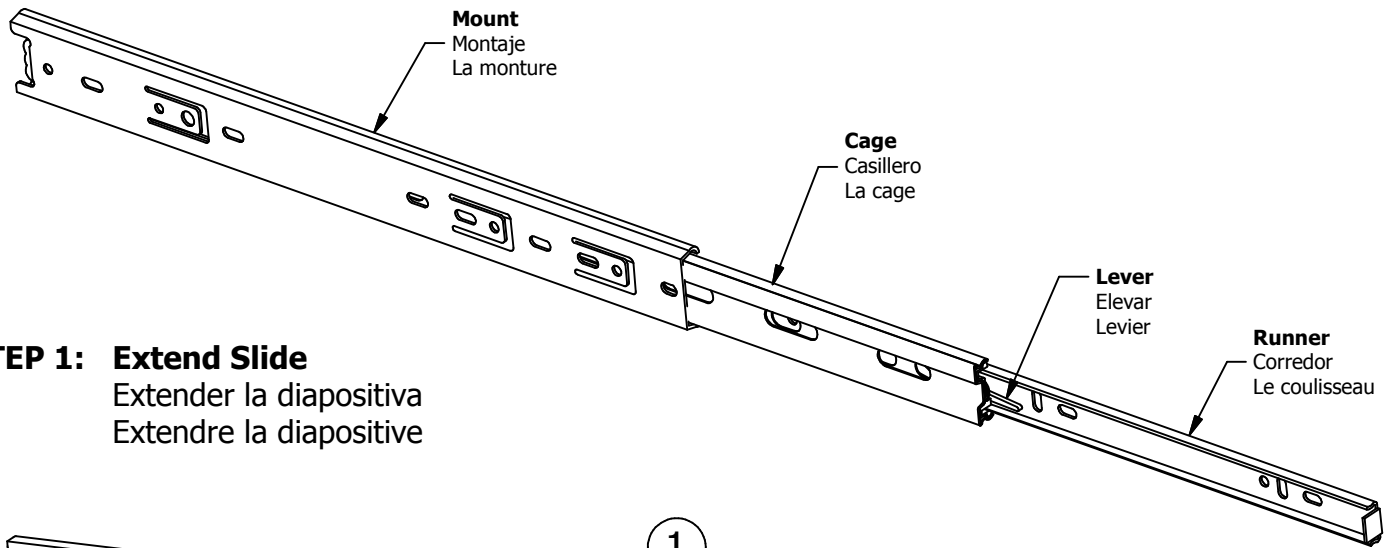


How to Separate and Install Drawer Slides

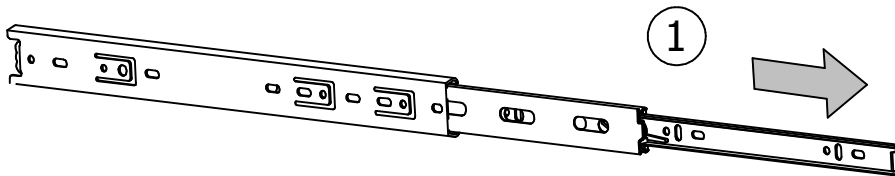
**Slides Must Be Separated Before Assembly. After Separated, Set Aside Until Needed for Assembly.**

Las diapositivas deben separarse antes del montaje. Después de la separación, déjelo a un lado hasta que sea necesario.

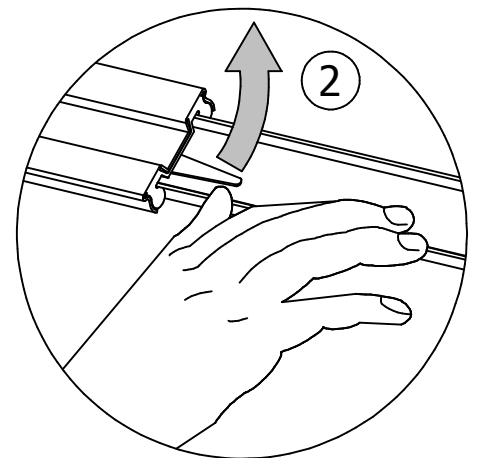
Les glissières doivent être séparées avant l'assemblage. Après la séparation, mettez de côté jusqu'au moment de l'assemblage.



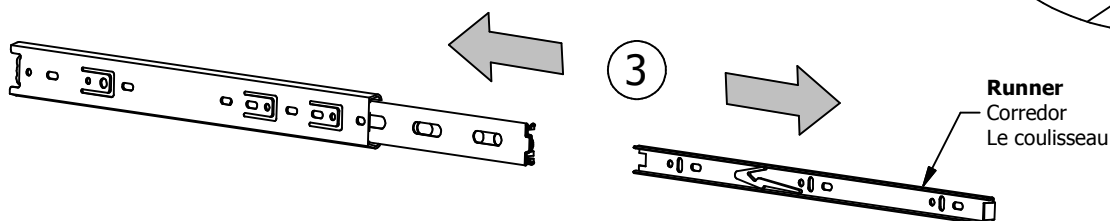
**STEP 1: Extend Slide**  
 Extender la diapositiva  
 Étendre la diapositive



**STEP 2: Push Lever UP**  
 Empujar hacia arriba  
 Lever le levier



**STEP 3: Remove Runner**  
 Quitar el corredor  
 Enlever le coureur



Have an assembly question or need a replacement part? Just call **1-800-950-4782**, we are here to help.

# STEP 4

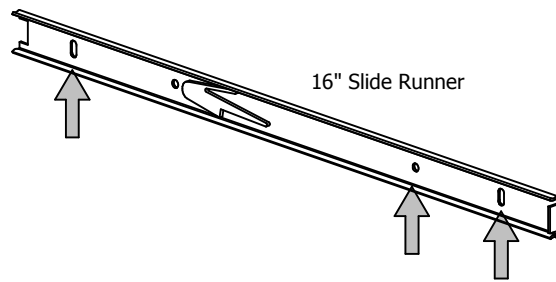
## Install Slide Runners

A175369C

Scan QR Code to Watch Video on:

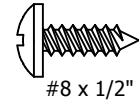


How to Separate and Install Drawer Slides

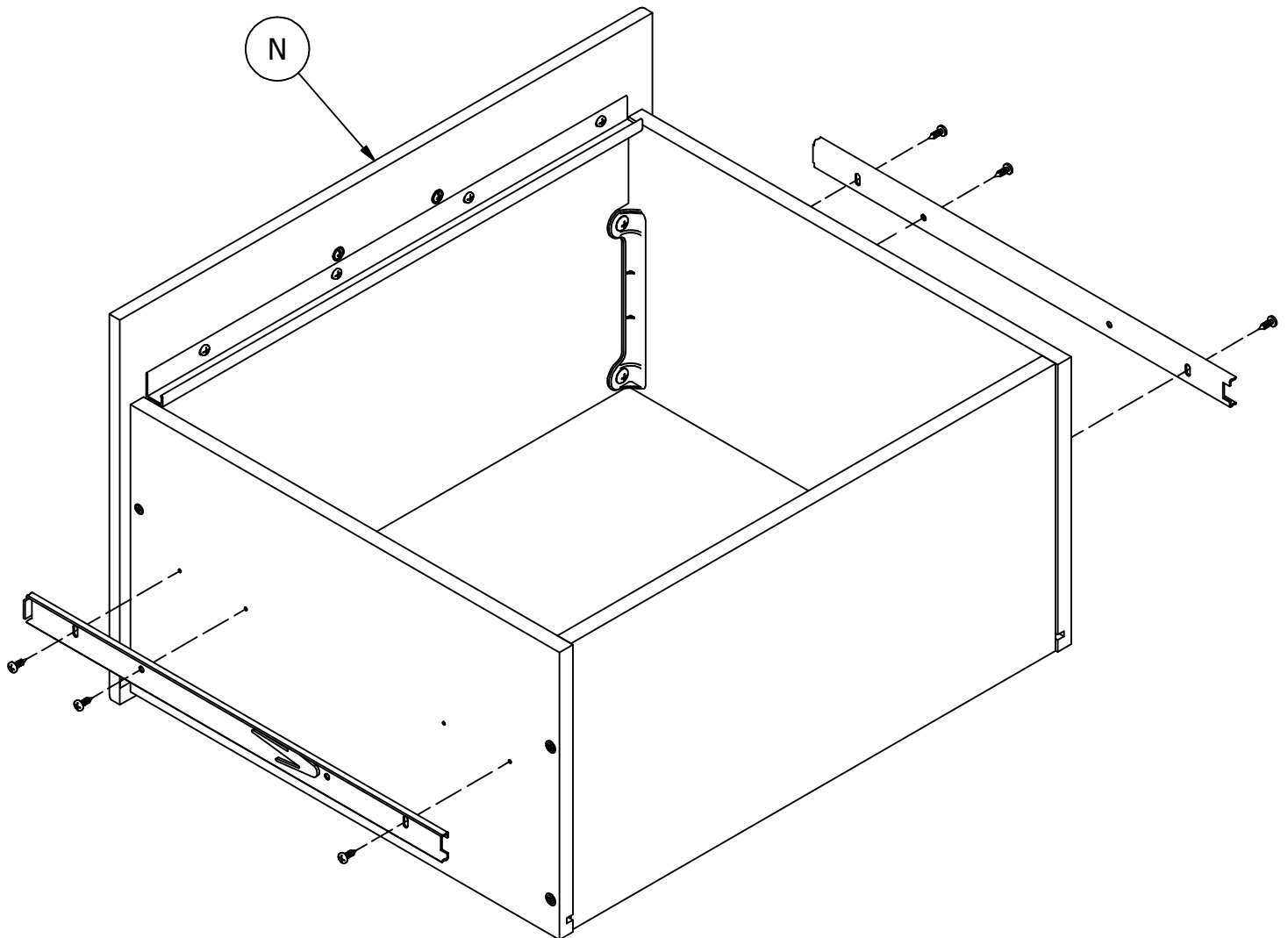


[ 2 ]

H27310



[ 6 ]



Have an assembly question or need a replacement part? Just call **1-800-950-4782**, we are here to help.

# STEP 5

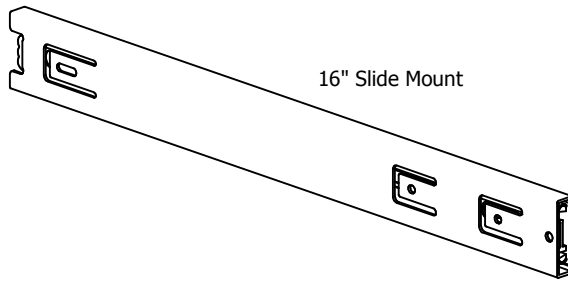
# Prepare Panel

A175369C

Scan QR Code to Watch Video on:



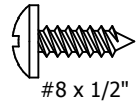
How to Separate and Install Drawer Slides



16" Slide Mount

[ 1 ]

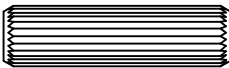
H27310



[ 3 ]

#8 x 1/2"

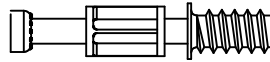
H38169



[ 2 ]

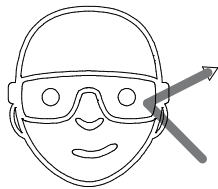
Wood Dowel 8 x 30

H72988

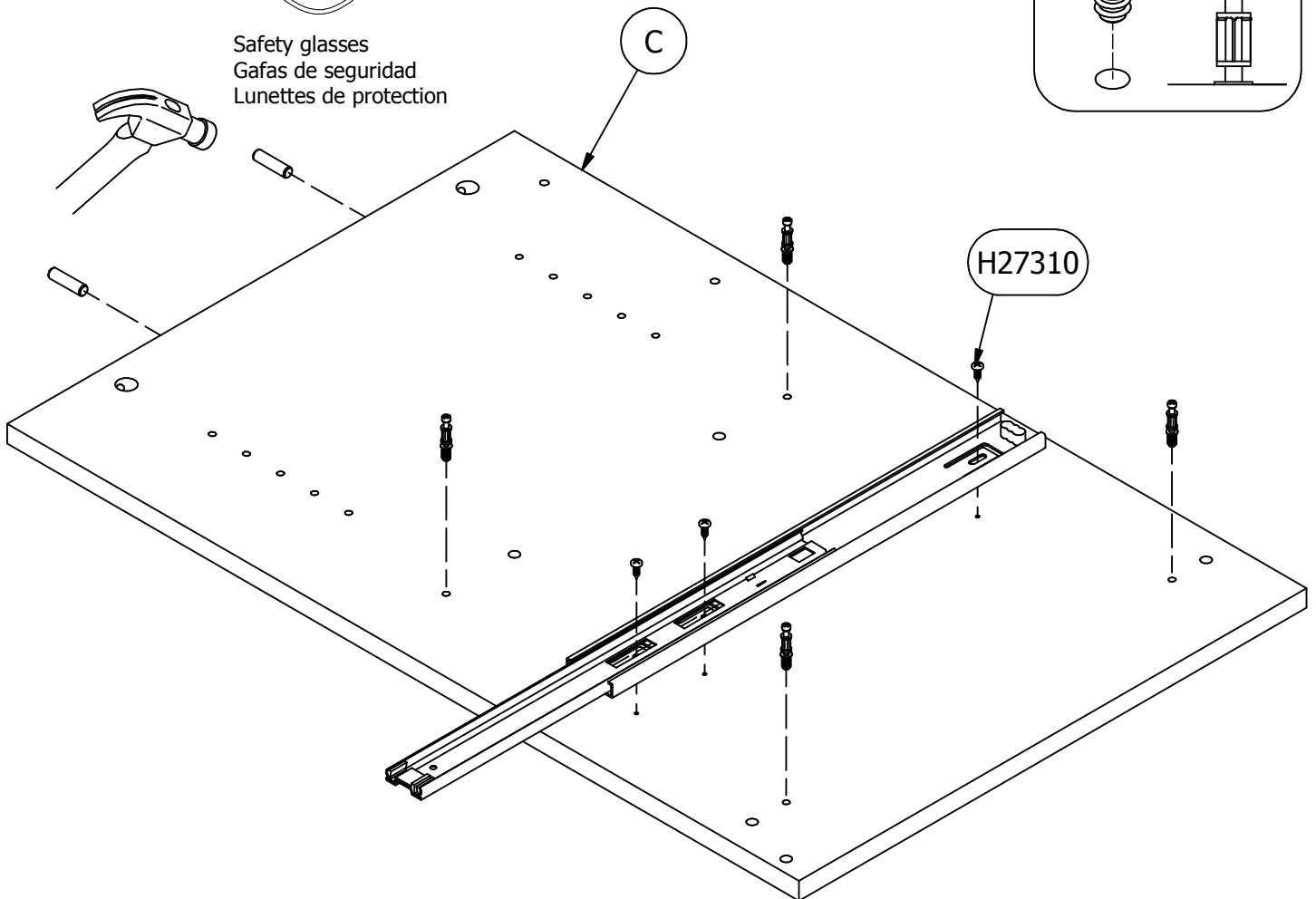
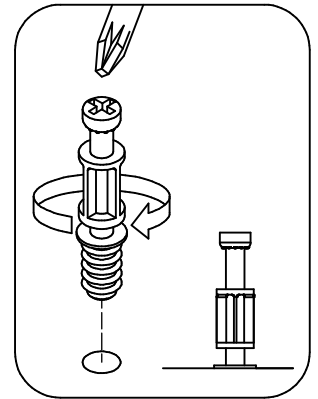


[ 4 ]

KD Bolt



Safety glasses  
Gafas de seguridad  
Lunettes de protection



Have an assembly question or need a replacement part? Just call **1-800-950-4782**, we are here to help.

# STEP 6

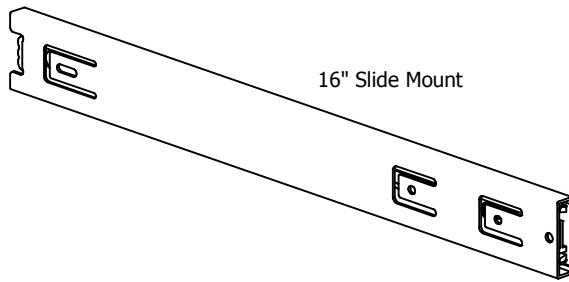
# Prepare Panel

A175369C

Scan QR Code to Watch Video on:

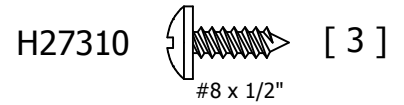


How to Separate and Install Drawer Slides



16" Slide Mount

[ 1 ]



H27310

[ 3 ]

#8 x 1/2"

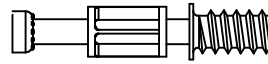
H38169



[ 2 ]

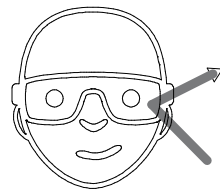
Wood Dowel 8 x 30

H72988

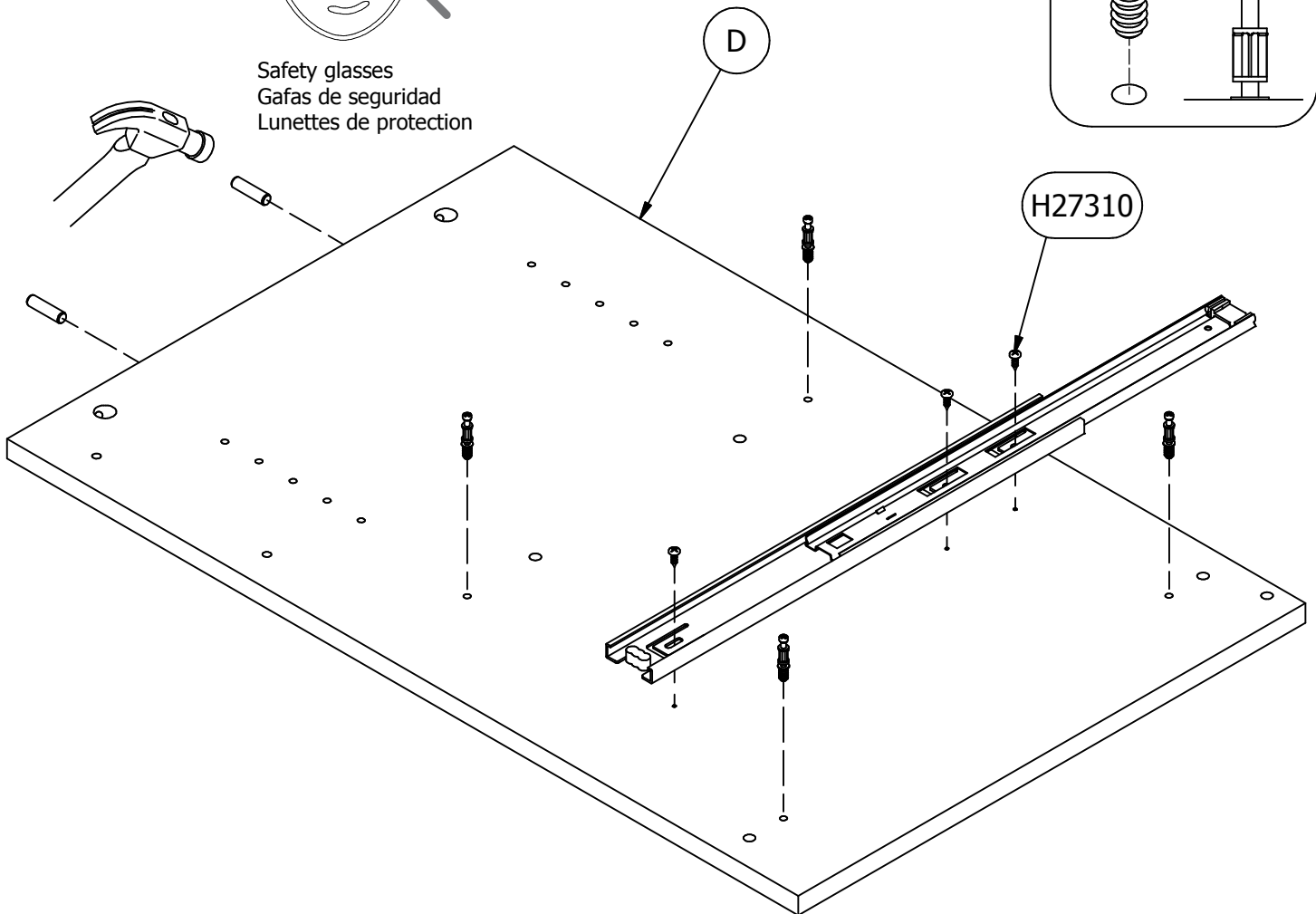
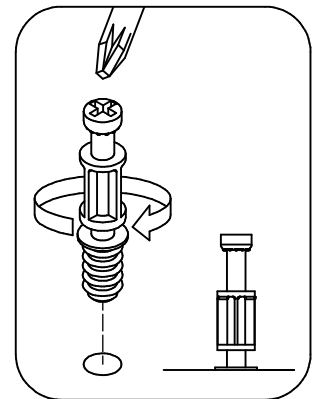


[ 4 ]

KD Bolt

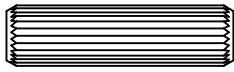


Safety glasses  
Gafas de seguridad  
Lunettes de protection



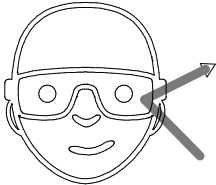
Have an assembly question or need a replacement part? Just call **1-800-950-4782**, we are here to help.

H38169

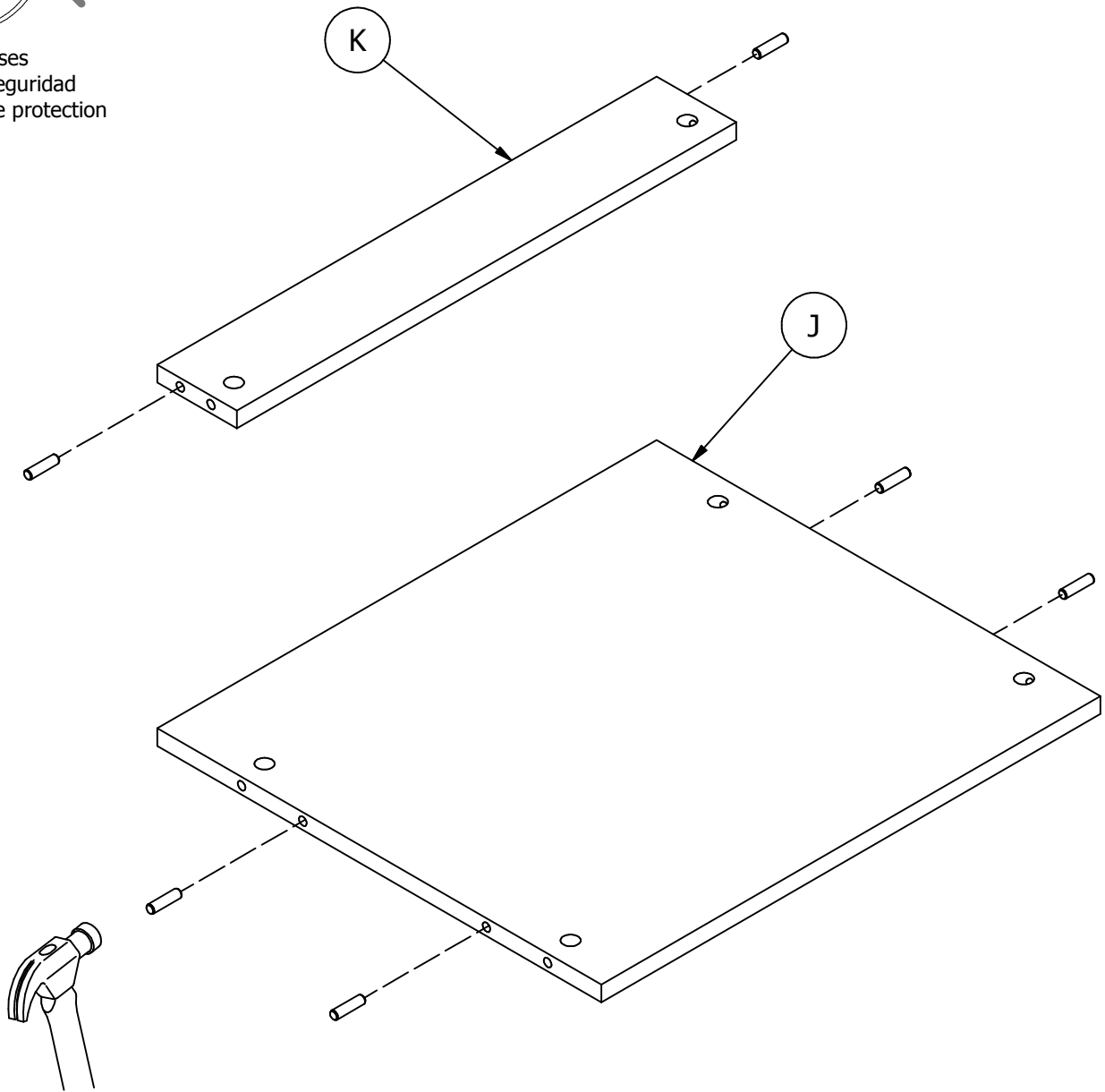


[ 6 ]

Wood Dowel 8 x 30



Safety glasses  
Gafas de seguridad  
Lunettes de protection

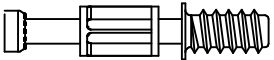


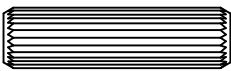
Have an assembly question or need a replacement part? Just call  
**1-800-950-4782**, we are here to help.

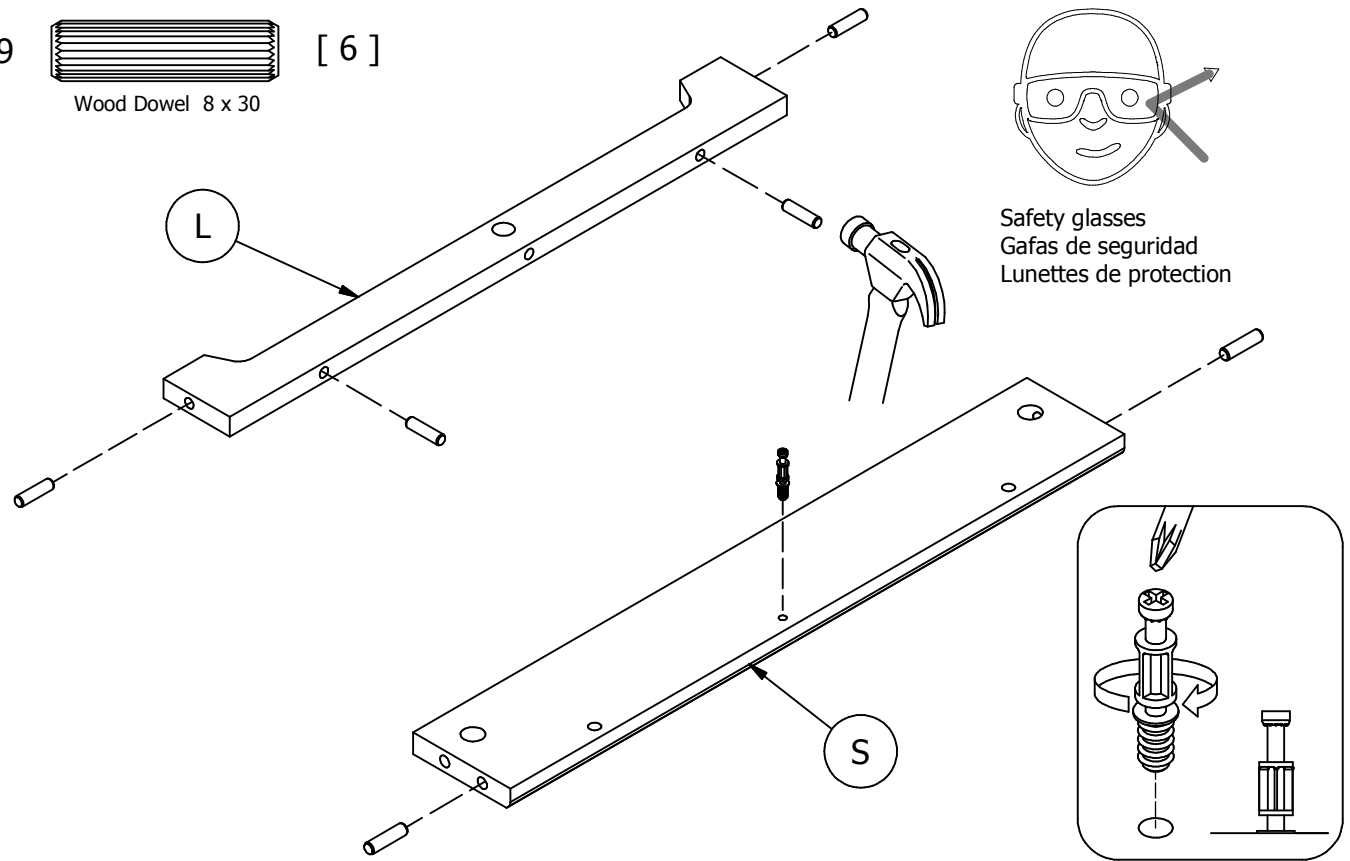
# STEP 8

# Prepare / Assemble Panels

A175369C

H72988  [ 1 ]  
KD Bolt

H38169  [ 6 ]  
Wood Dowel 8 x 30

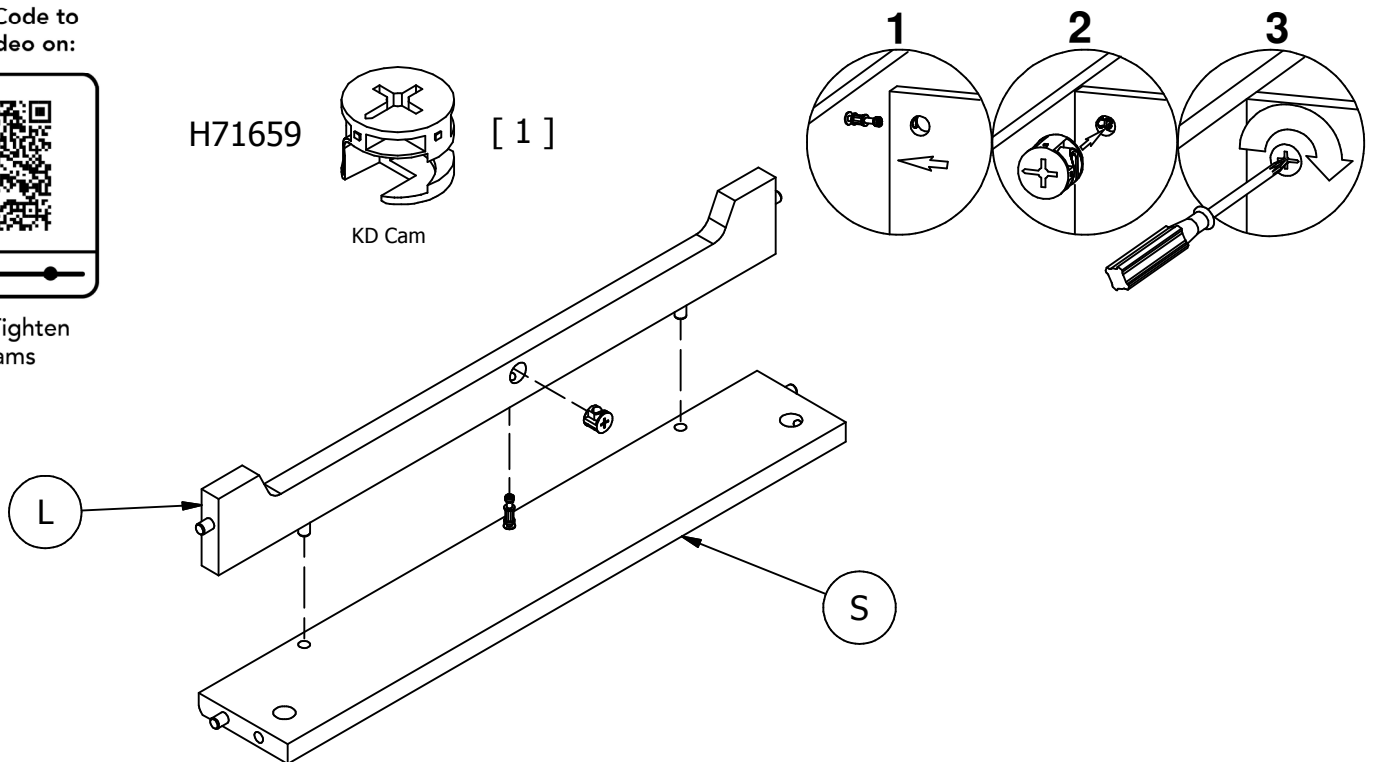


Scan QR Code to  
Watch Video on:



How to Tighten  
KD Cams

H71659  [ 1 ]  
KD Cam



Have an assembly question or need a replacement part? Just call  
**1-800-950-4782**, we are here to help.

# STEP 9

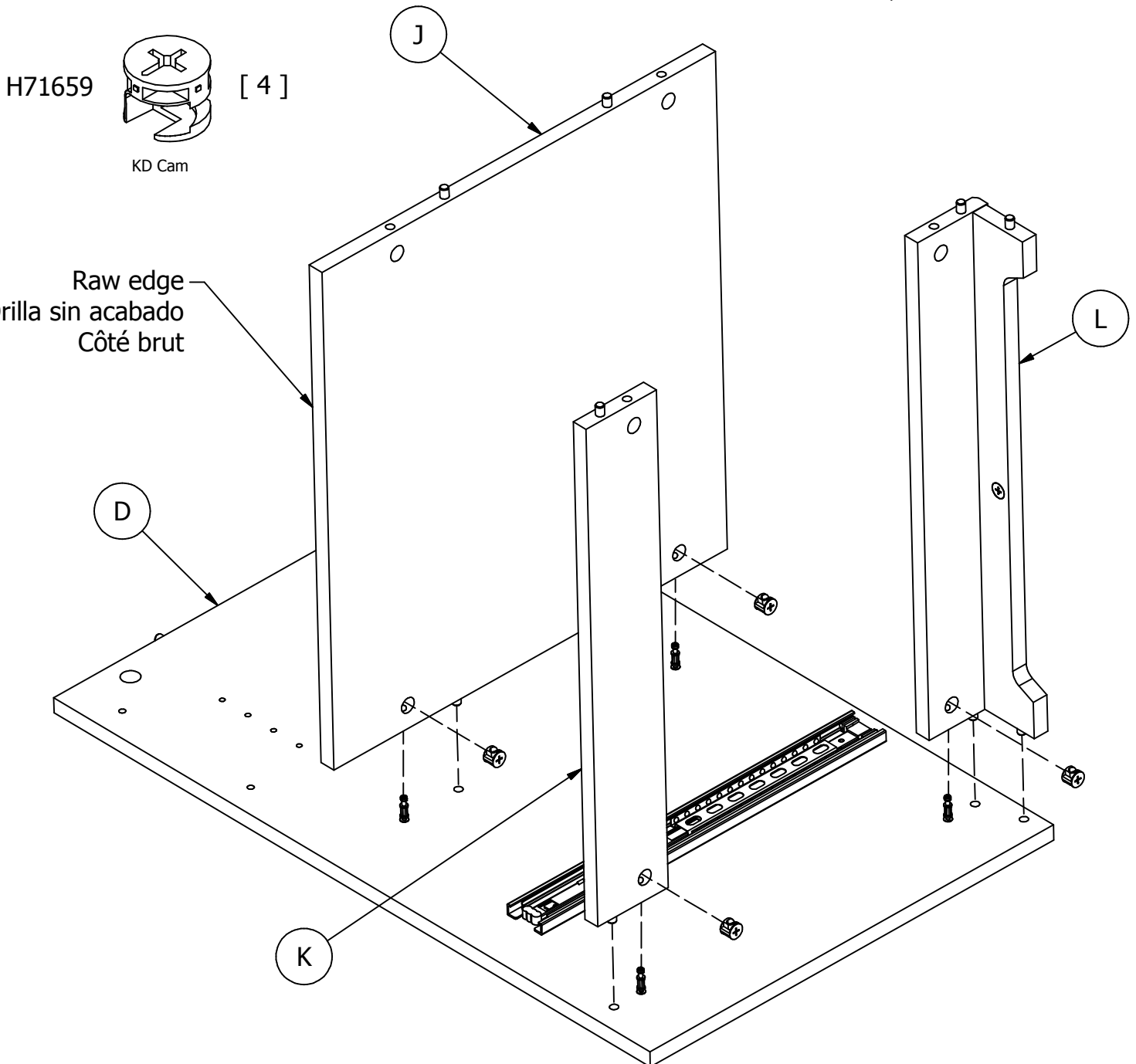
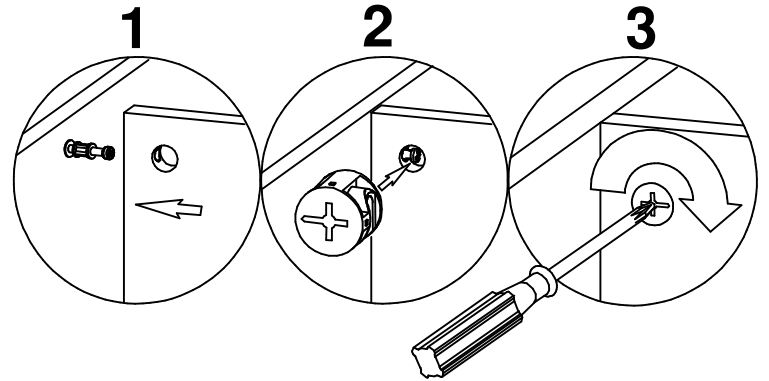
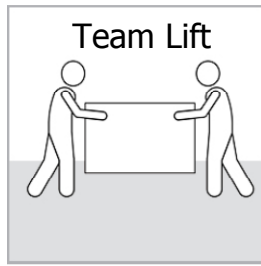
# Assemble Panels

A175369C

Scan QR Code to Watch Video on:



How to Tighten KD Cams



Have an assembly question or need a replacement part? Just call **1-800-950-4782**, we are here to help.

# STEP 10

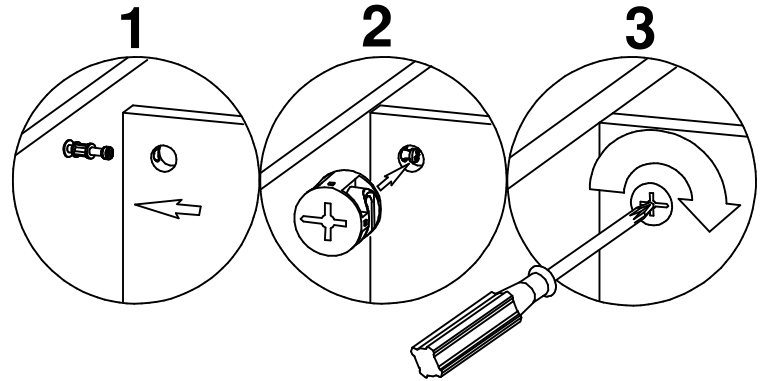
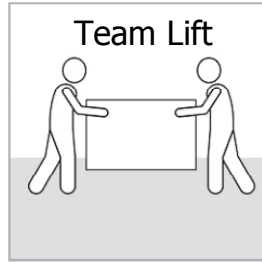
# Assemble Panels

A175369C

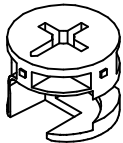
Scan QR Code to Watch Video on:



How to Tighten KD Cams

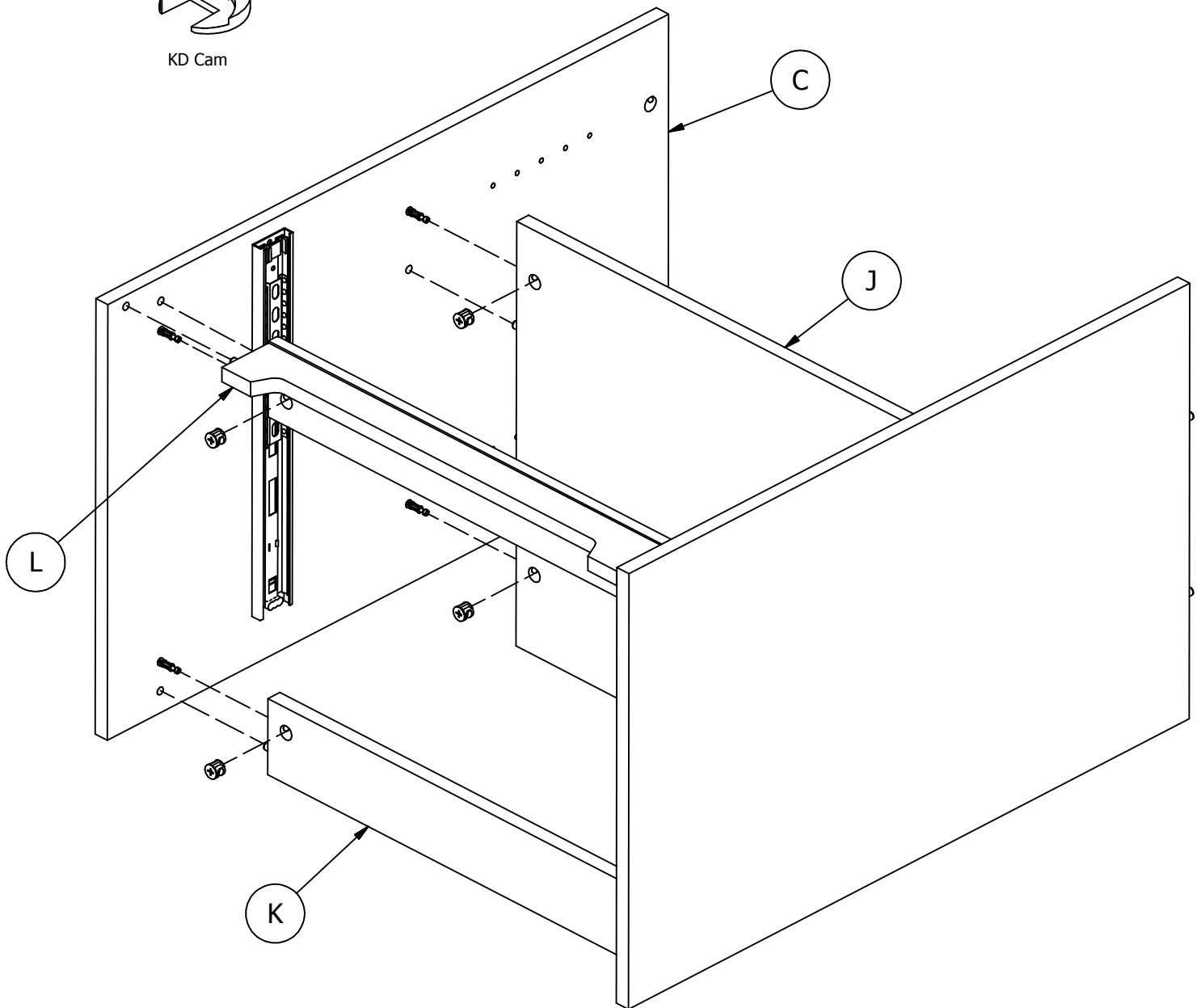


H71659



[ 4 ]

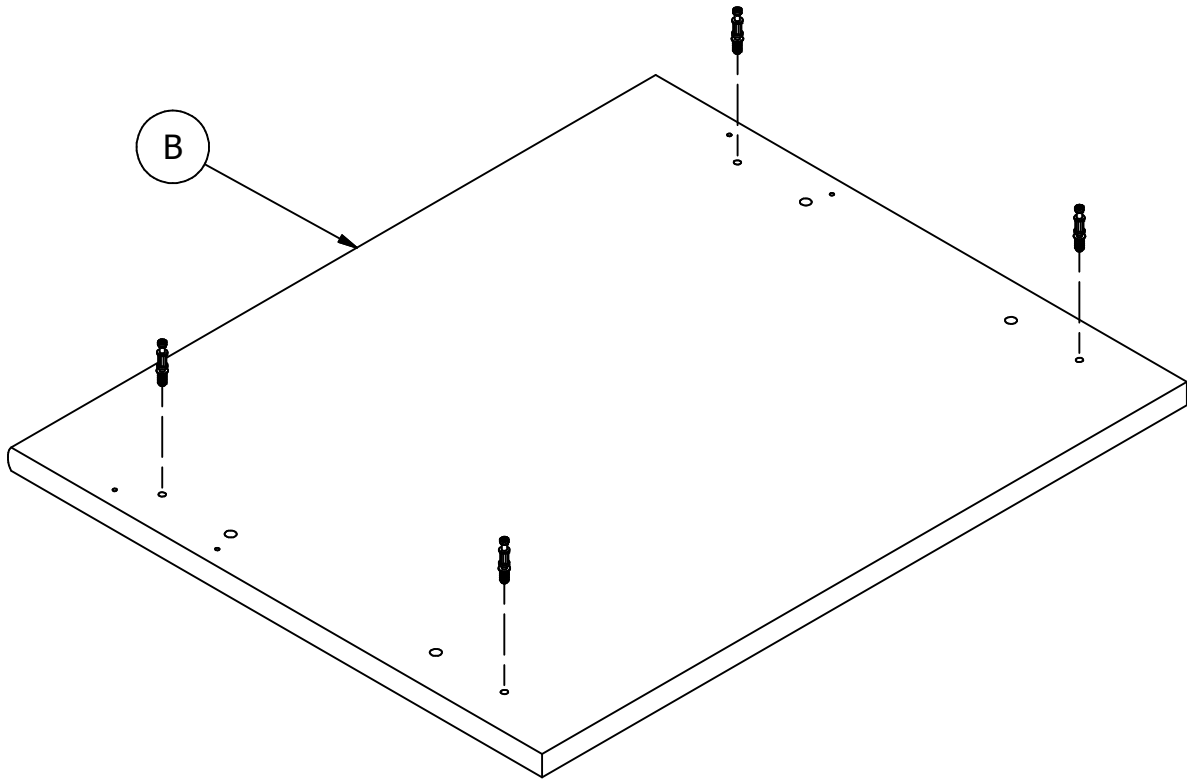
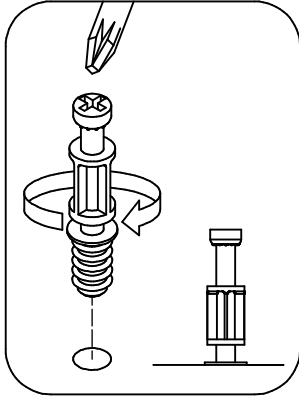
KD Cam



Have an assembly question or need a replacement part? Just call **1-800-950-4782**, we are here to help.



H72988 [ 4 ]  
KD Bolt

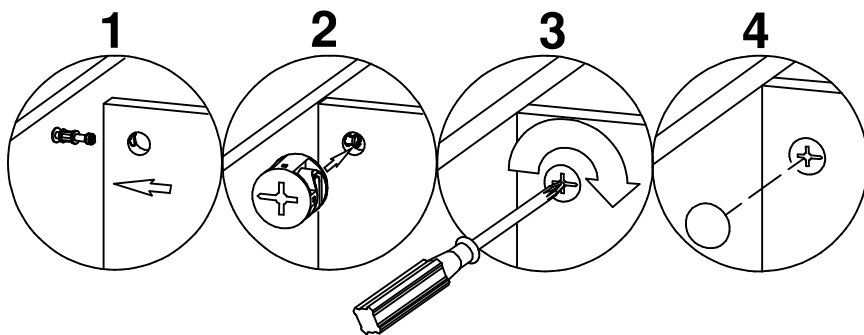


Have an assembly question or need a replacement part? Just call  
**1-800-950-4782**, we are here to help.

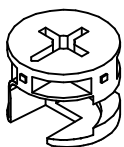
Scan QR Code to Watch Video on:



How to Tighten KD Cams

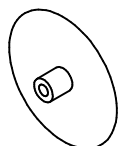


H71659



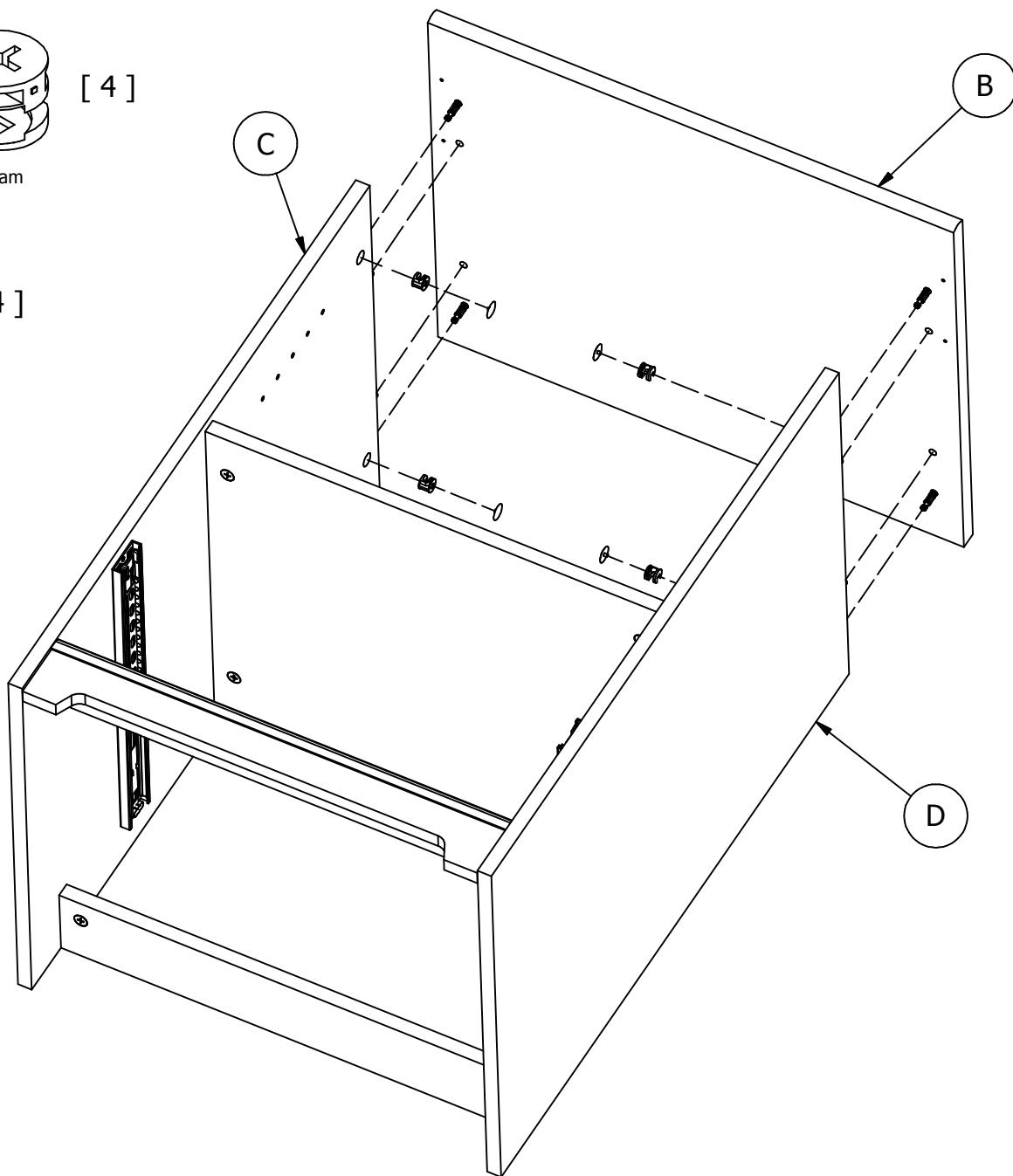
[ 4 ]

KD Cam



[ 4 ]

Cover Cap

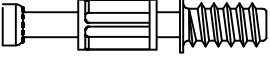



Have an assembly question or need a replacement part? Just call **1-800-950-4782**, we are here to help.

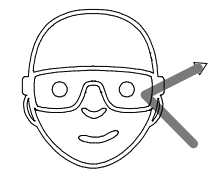
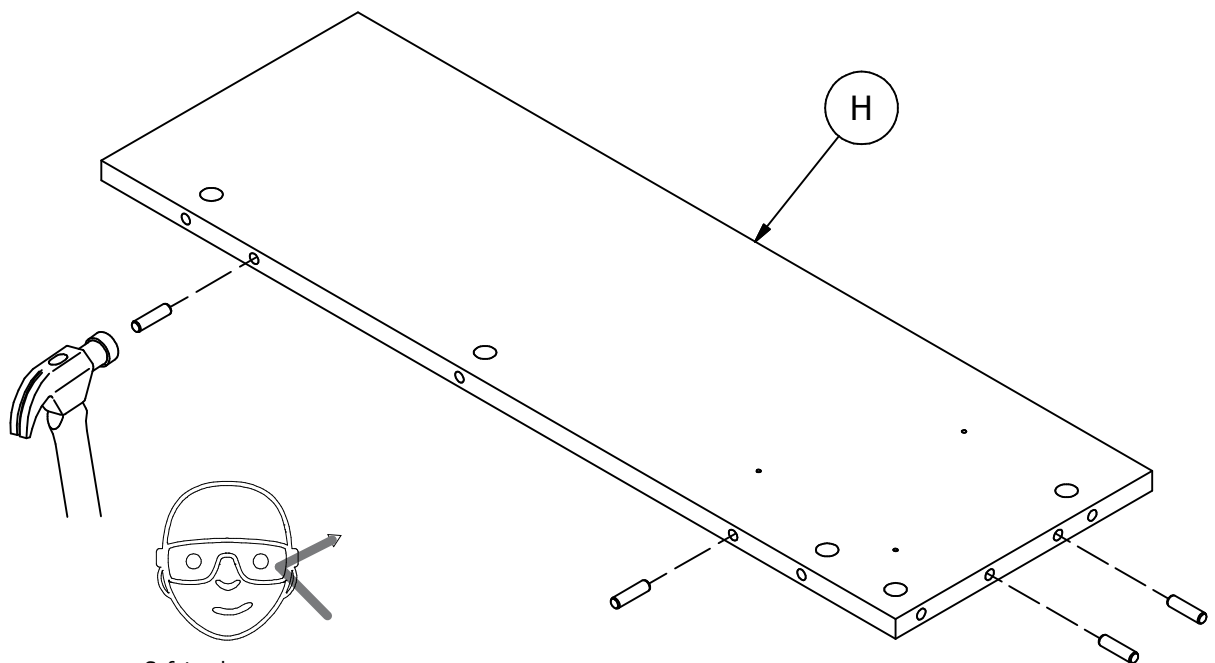
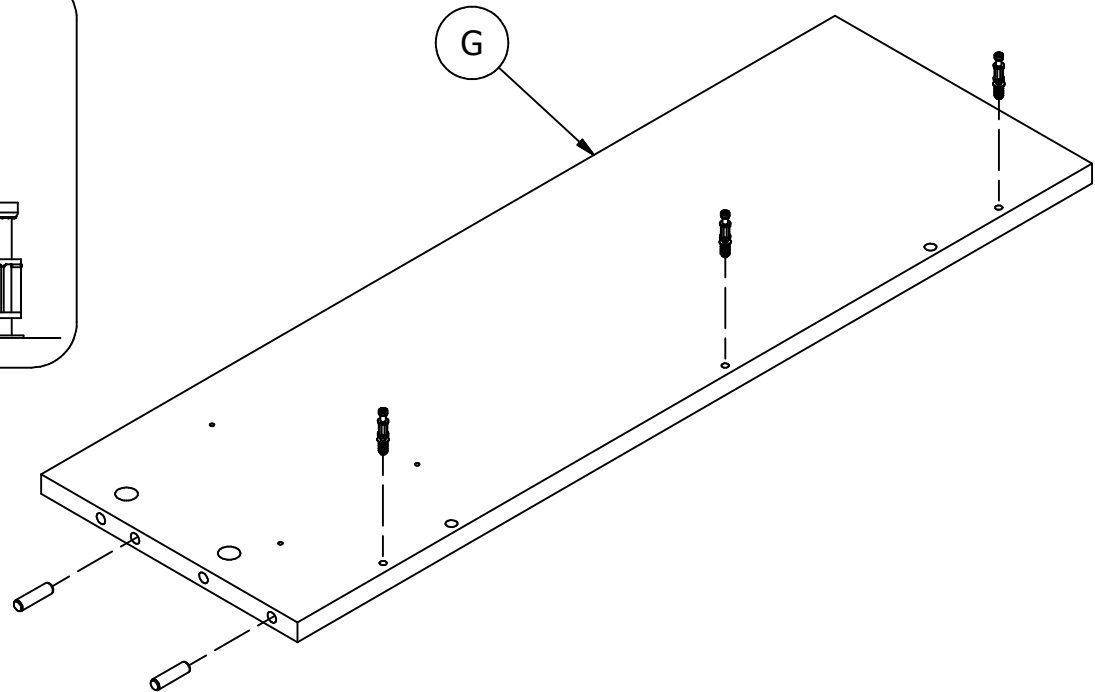
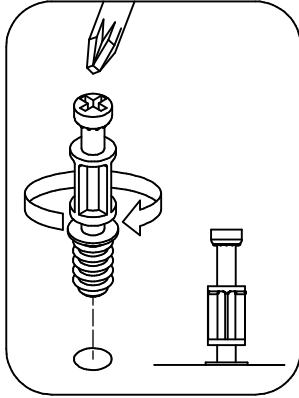
# STEP 13

# Prepare Panels

A175369C

H72988  [ 3 ]  
KD Bolt

H38169  [ 6 ]  
Wood Dowel 8 x 30



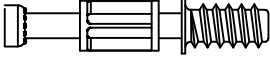
Safety glasses  
Gafas de seguridad  
Lunettes de protection


Have an assembly question or need a replacement part? Just call  
**1-800-950-4782**, we are here to help.

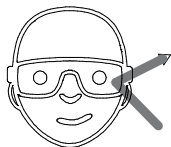
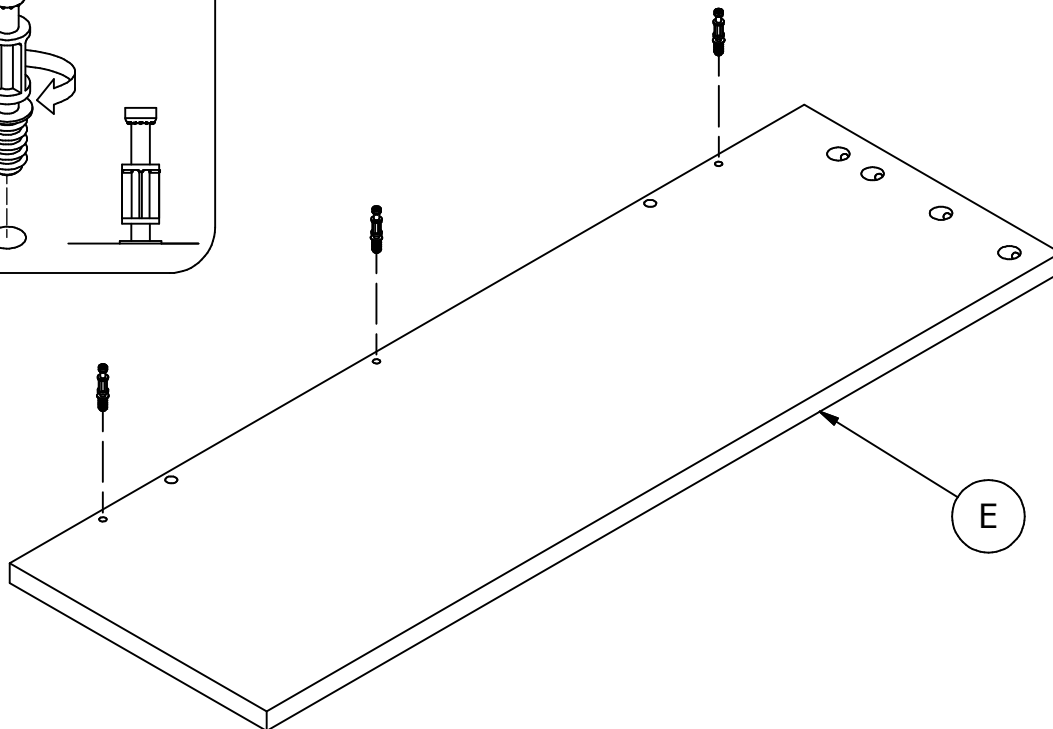
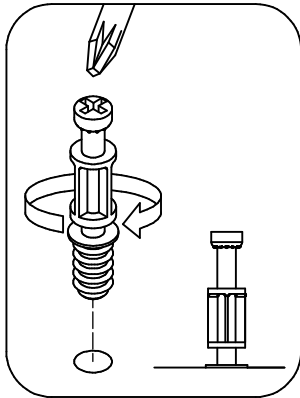
# STEP 14

# Prepare Panels

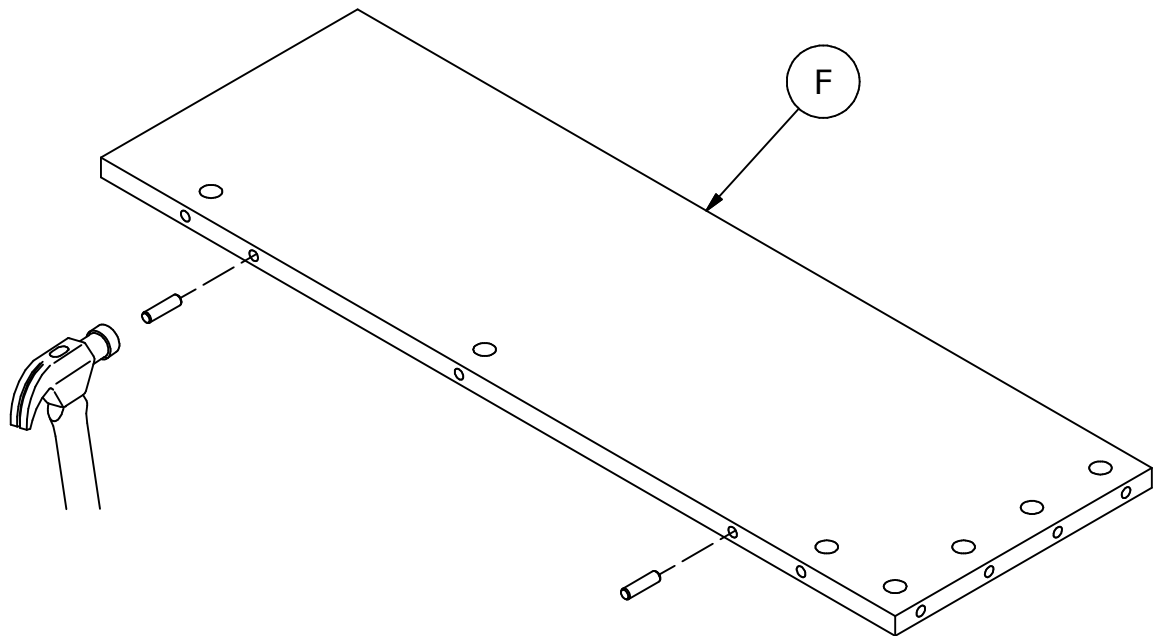
A175369C

H72988  [ 3 ]  
KD Bolt

H38169  [ 2 ]  
Wood Dowel 8 x 30



Safety glasses  
Gafas de seguridad  
Lunettes de protection

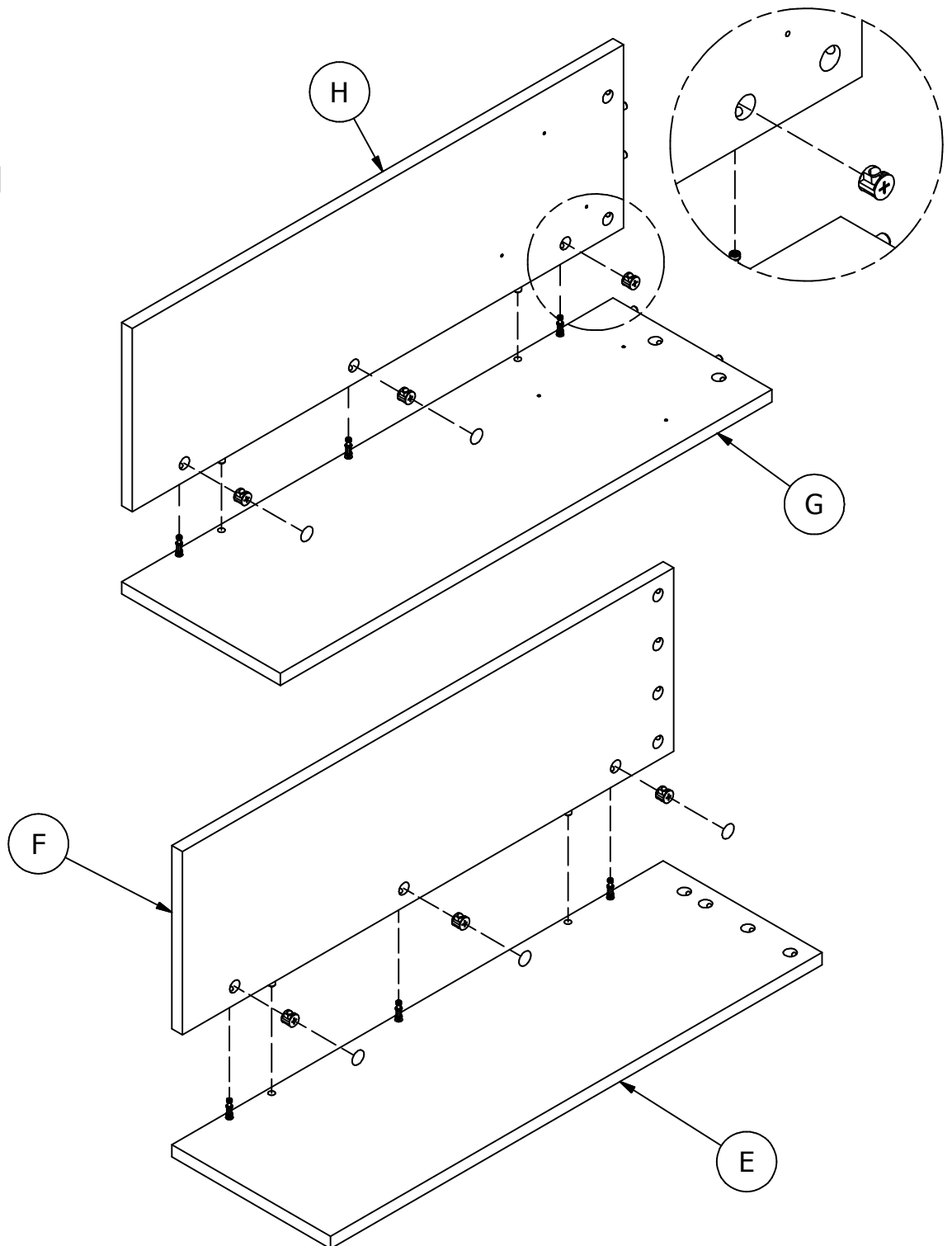
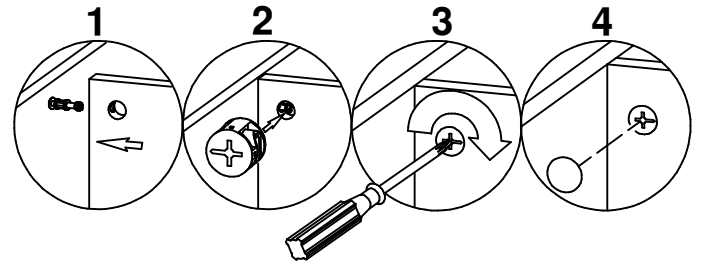
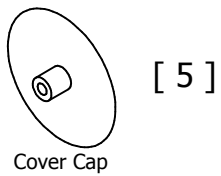
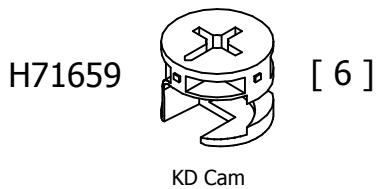


Have an assembly question or need a replacement part? Just call  
**1-800-950-4782**, we are here to help.

Scan QR Code to Watch Video on:



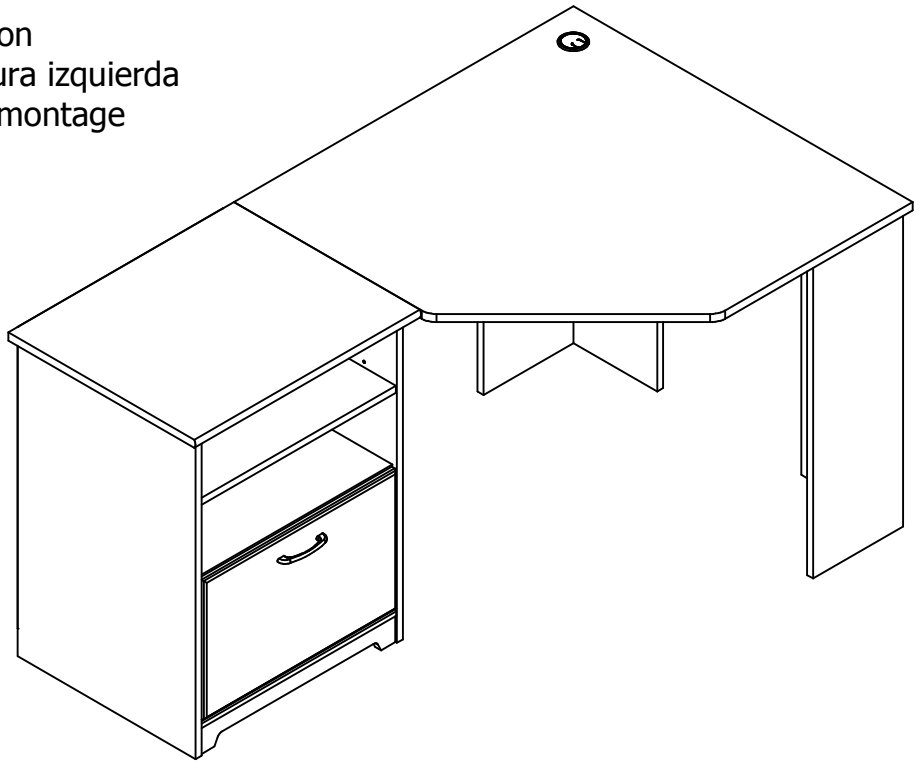
How to Tighten KD Cams



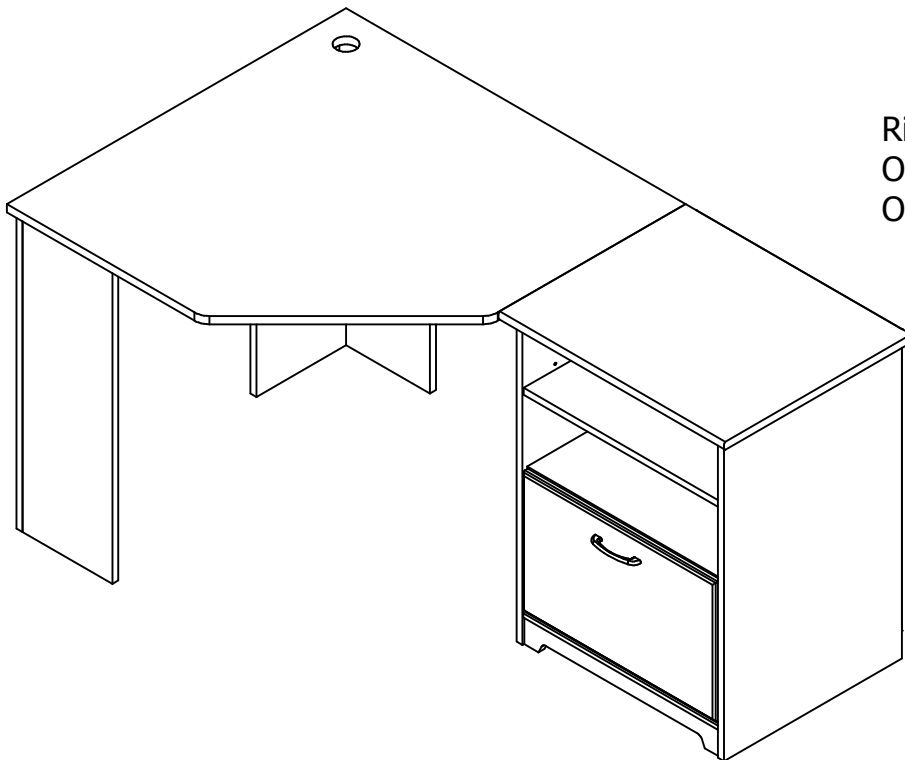
Have an assembly question or need a replacement part? Just call **1-800-950-4782**, we are here to help.

Left mounting option  
Opción para montura izquierda  
Option gauche de montage

Go to Step 17.  
Proceda al paso 17.  
Allez à l'étape 17.



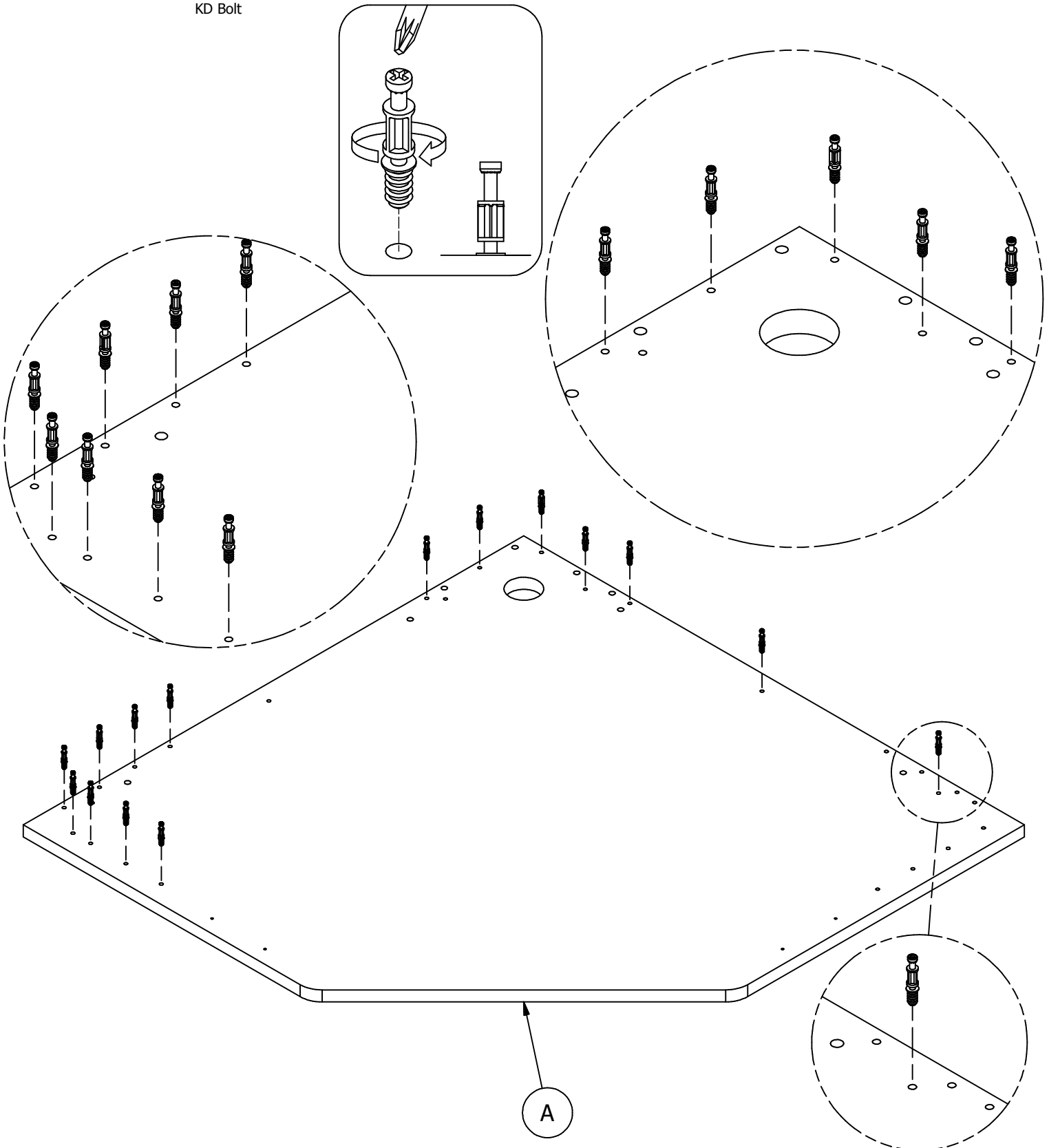
Right mounting option  
Opción para montura derecha  
Option droite de montage



Go to Step 25.  
Proceda al paso 25.  
Allez à l'étape 25.

Have an assembly question or need a replacement part? Just call  
**1-800-950-4782**, we are here to help.

H72988 [ 15 ]  
KD Bolt

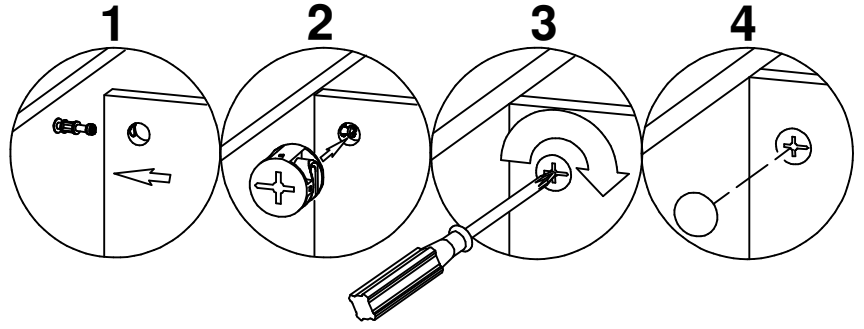


Have an assembly question or need a replacement part? Just call  
**1-800-950-4782**, we are here to help.

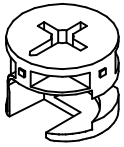
Scan QR Code to Watch Video on:



How to Tighten KD Cams

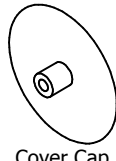


H71659



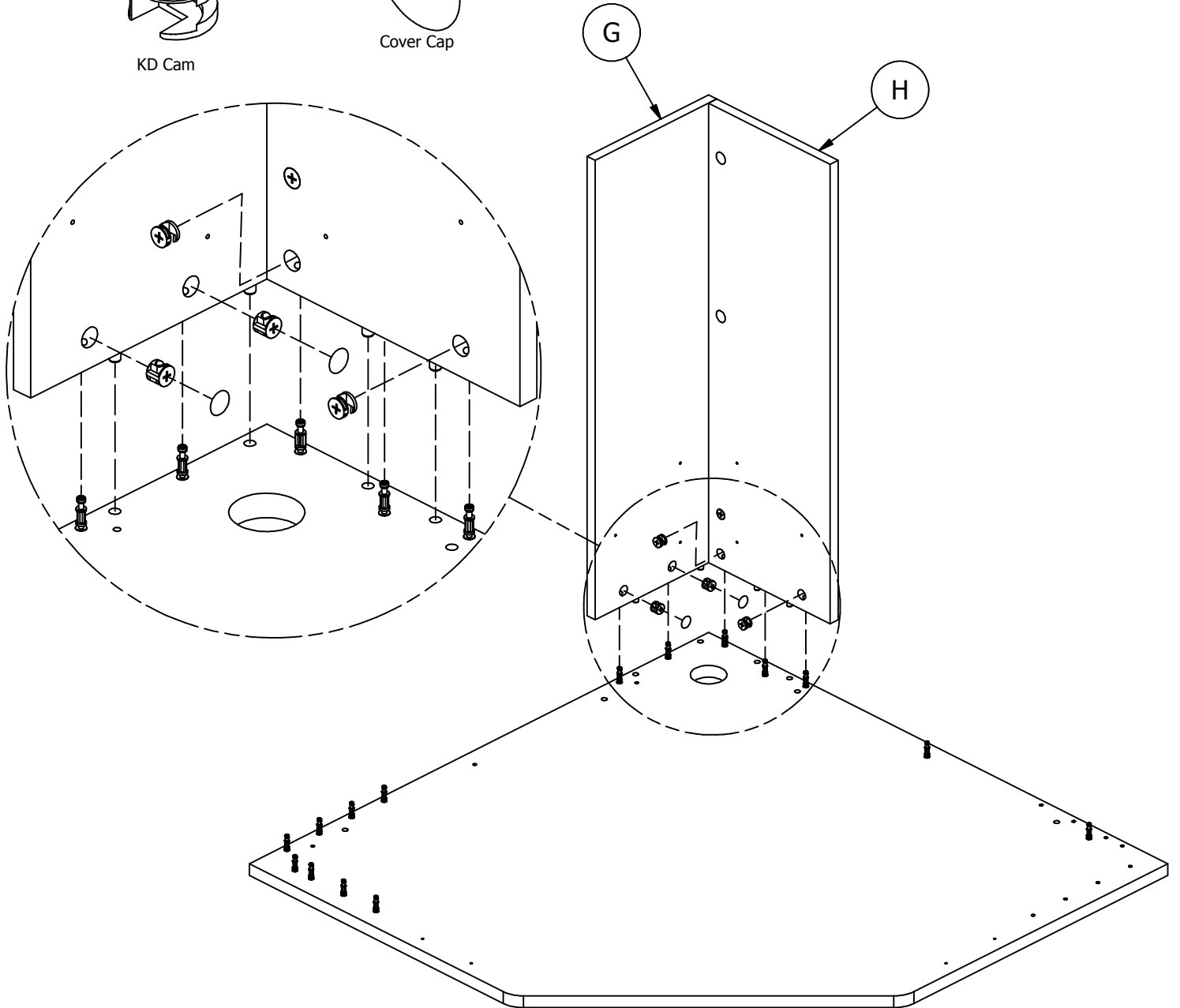
[ 4 ]

KD Cam



[ 2 ]

Cover Cap



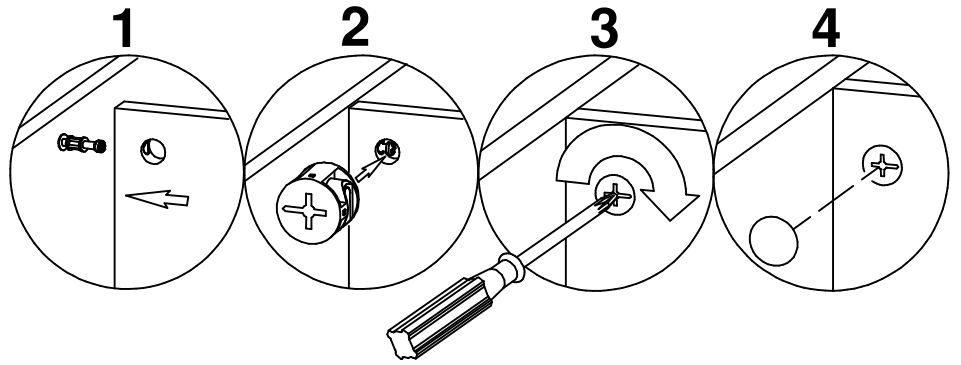
Have an assembly question or need a replacement part? Just call **1-800-950-4782**, we are here to help.



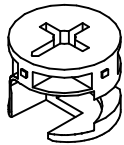
Scan QR Code to Watch Video on:



How to Tighten KD Cams

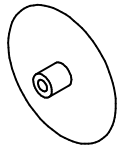


H71659



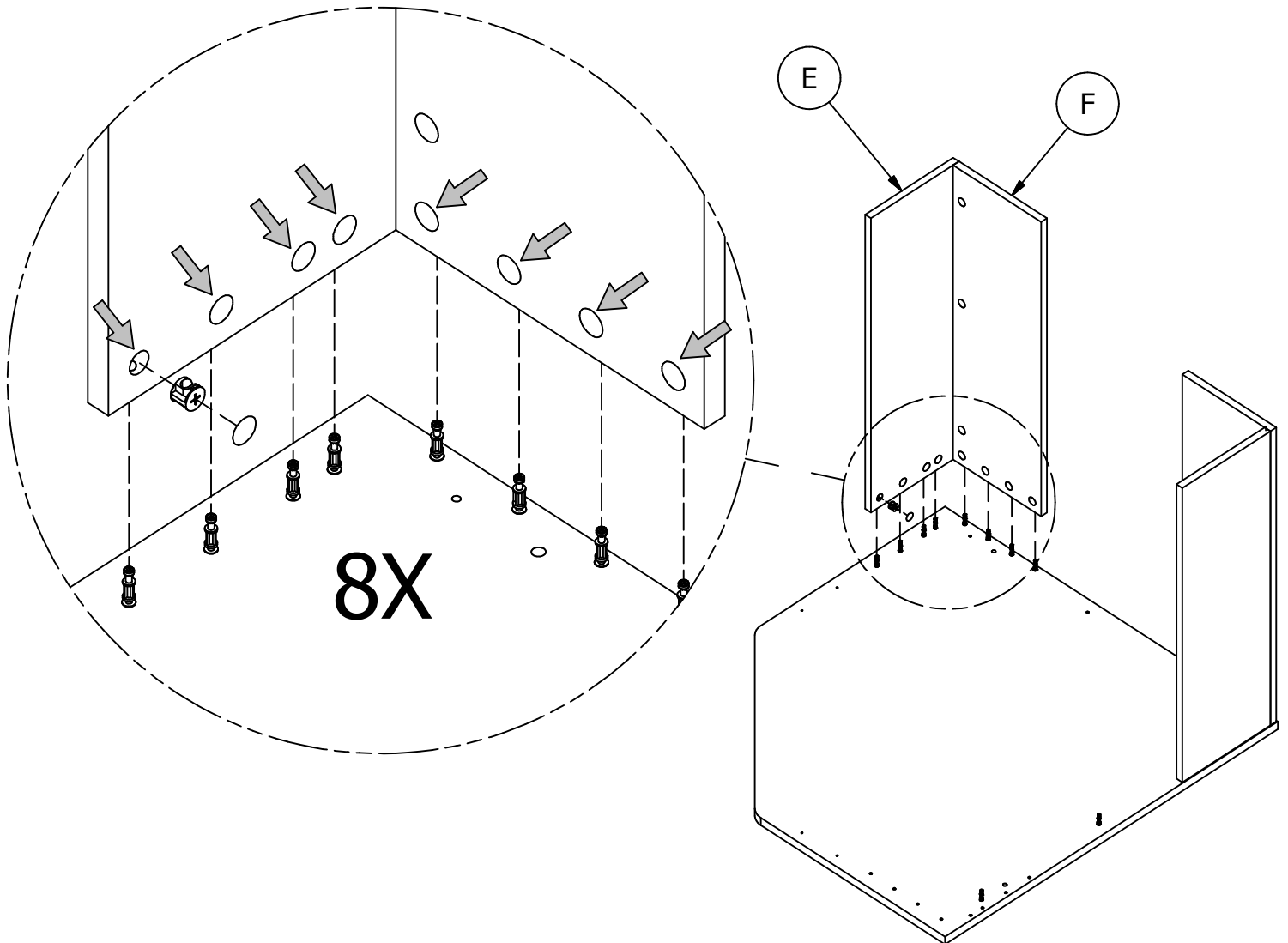
KD Cam

[ 8 ]



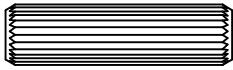
Cover Cap

[ 8 ]



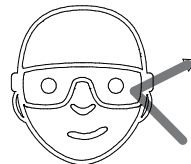
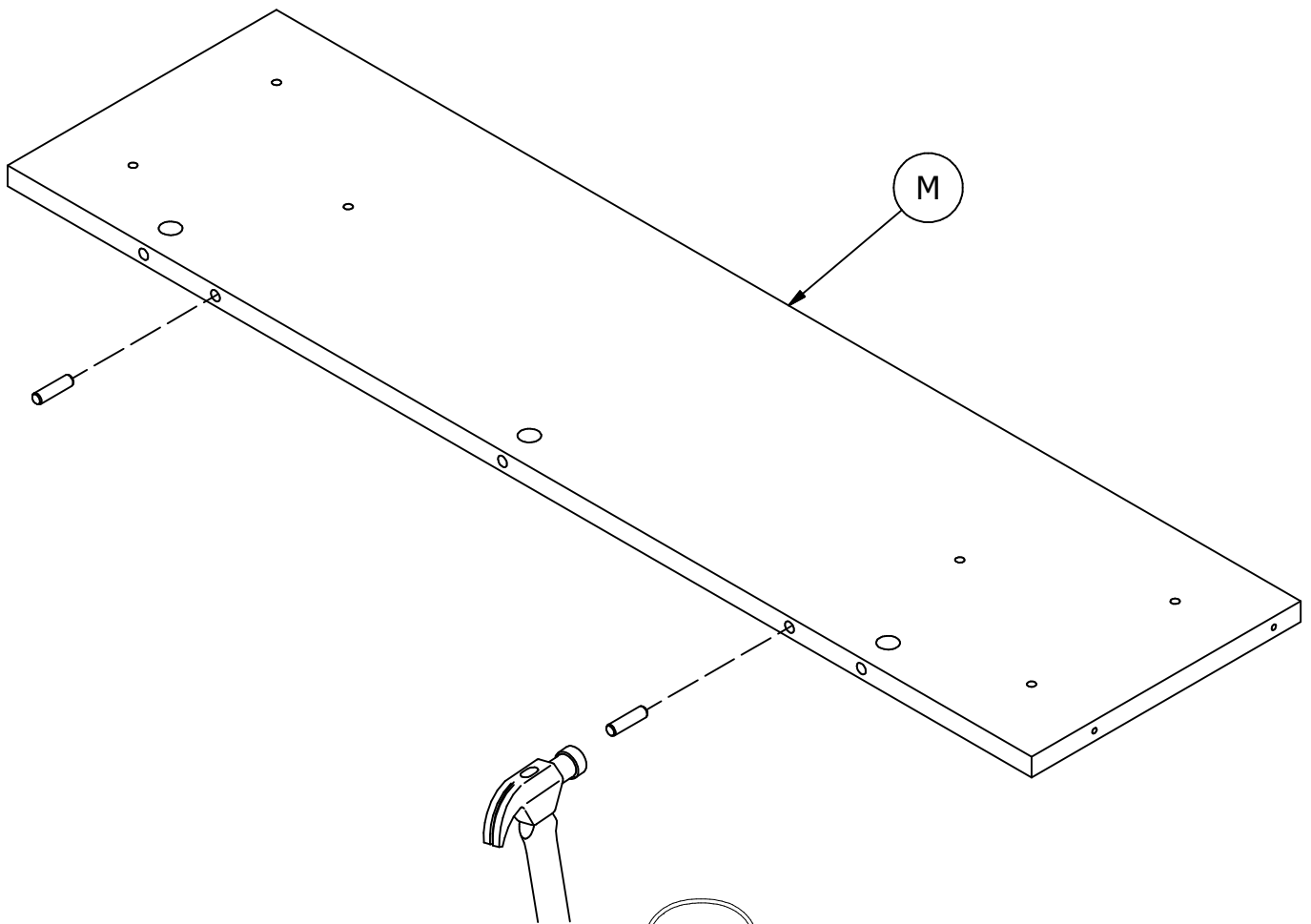
Have an assembly question or need a replacement part? Just call **1-800-950-4782**, we are here to help.

H38169



Wood Dowel 8 x 30

[ 2 ]



Safety glasses  
Gafas de seguridad  
Lunettes de protection

Have an assembly question or need a replacement part? Just call  
**1-800-950-4782**, we are here to help.

# STEP 21

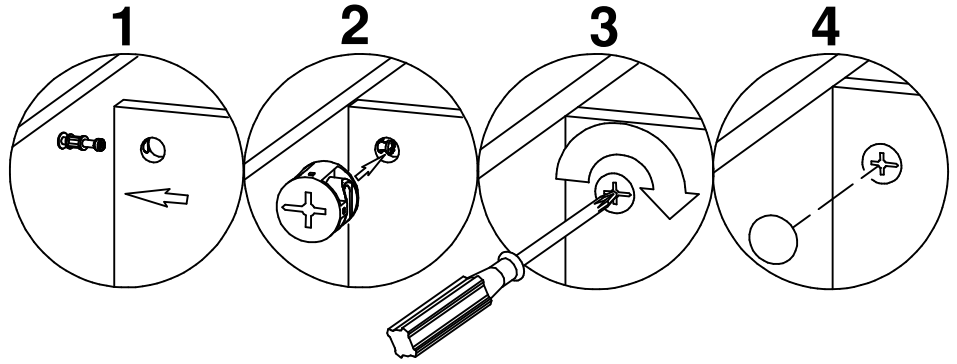
## Assemble Panels

A175369C

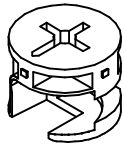
Scan QR Code to  
Watch Video on:



How to Tighten  
KD Cams

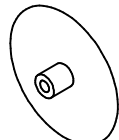


H71659



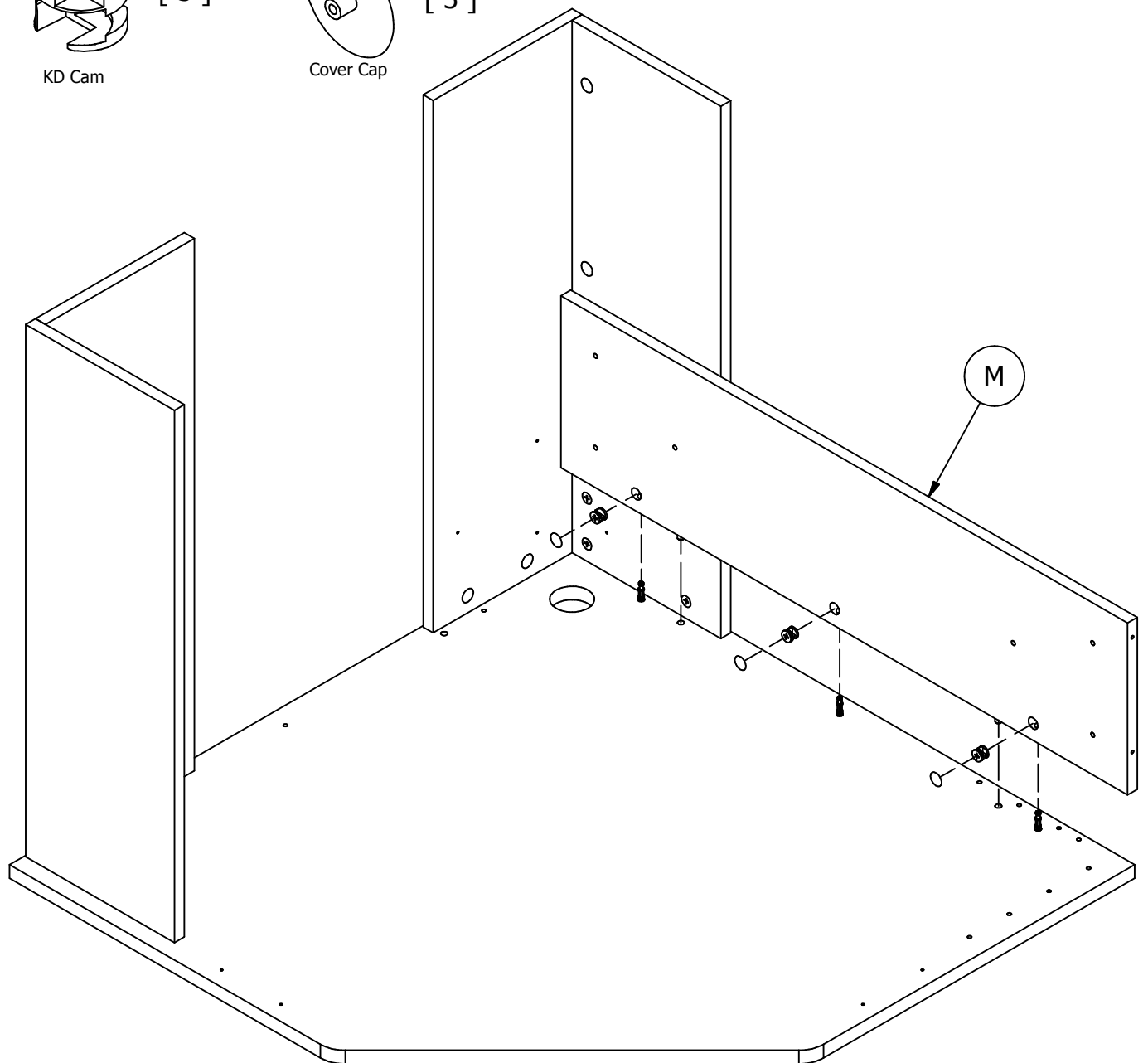
[ 3 ]

KD Cam



[ 3 ]

Cover Cap

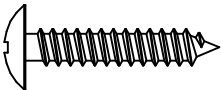


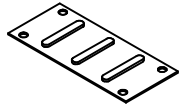
Have an assembly question or need a replacement part? Just call  
**1-800-950-4782**, we are here to help.

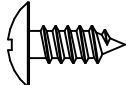
# STEP 22

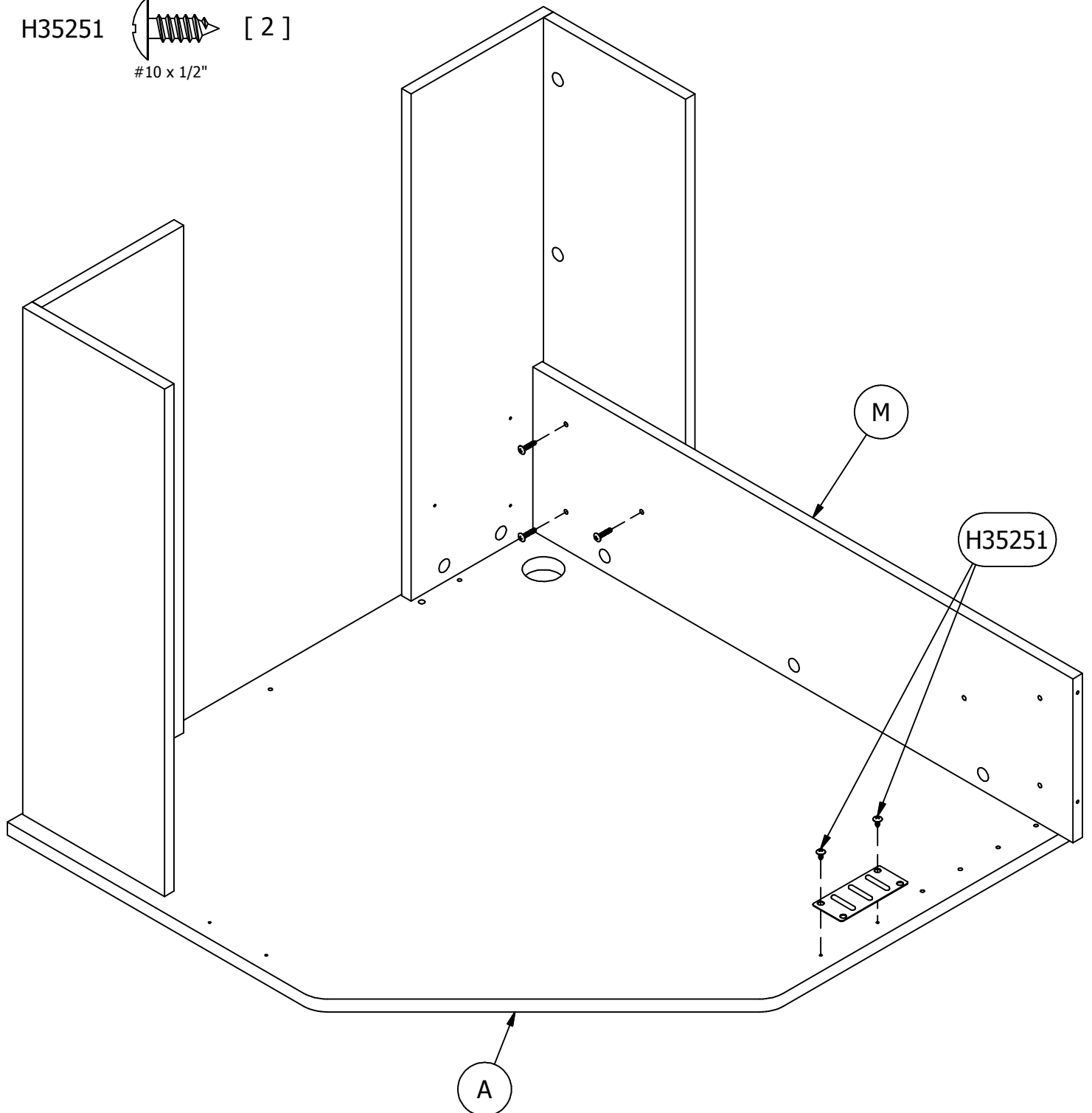
# Prepare Panels

A175369C

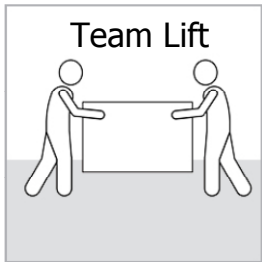
H23682  [ 3 ]  
#10 x 1"

H39922  [ 1 ]  
Strap

H35251  [ 2 ]  
#10 x 1/2"

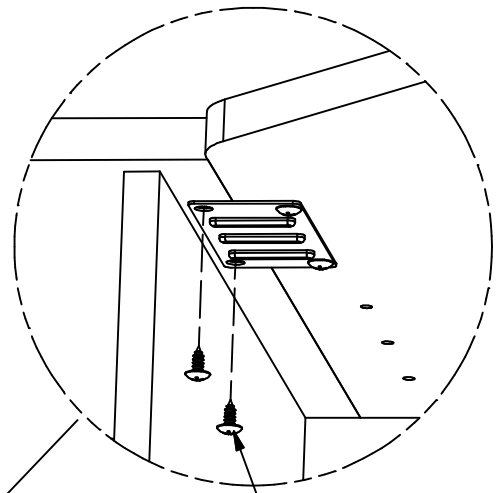


Have an assembly question or need a replacement part? Just call  
**1-800-950-4782**, we are here to help.

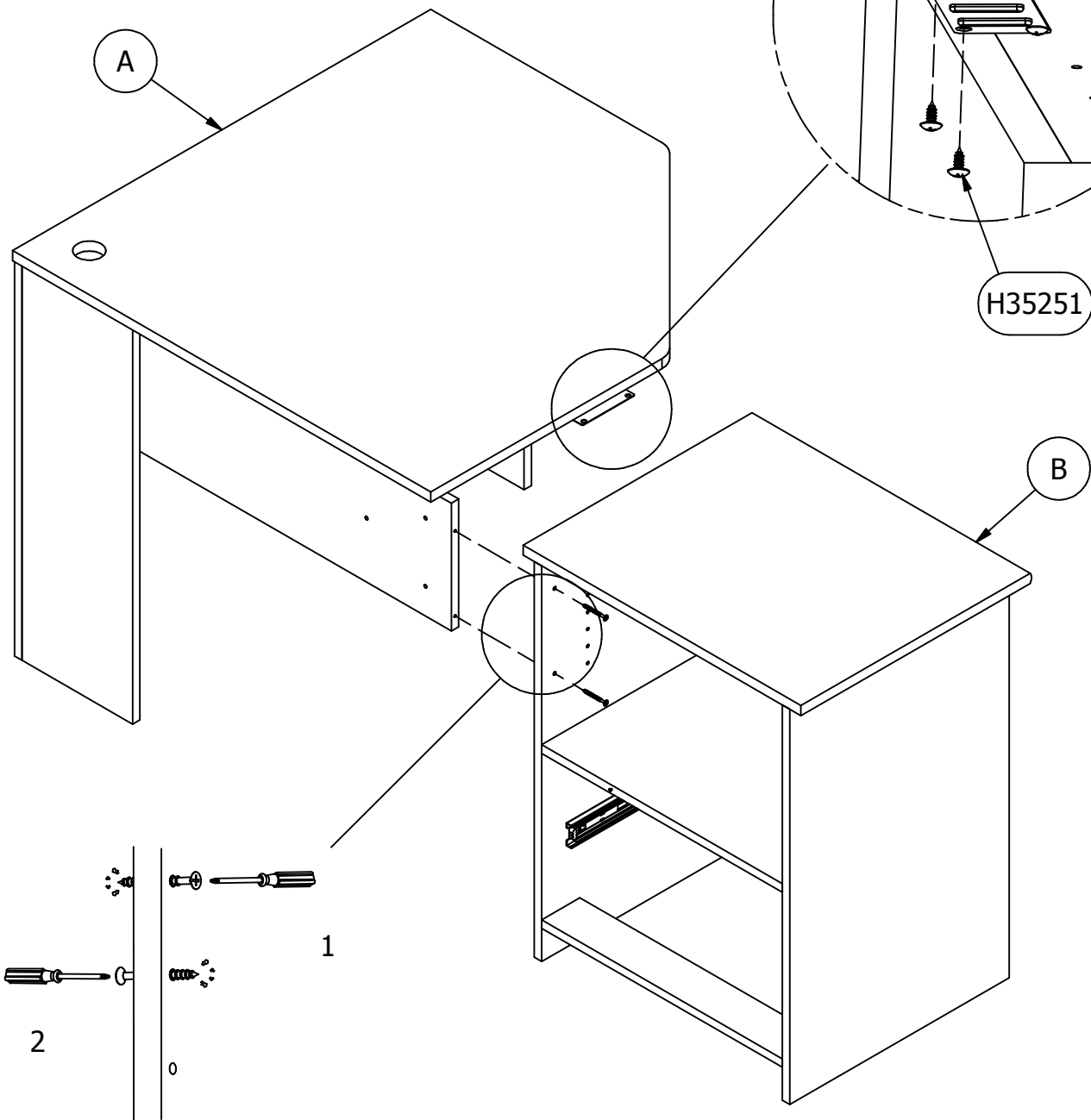


H23491 [ 2 ]  
#10 x 2"

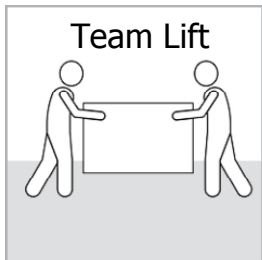
H35251 [ 2 ]  
#10 x 1/2"



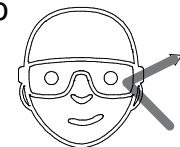
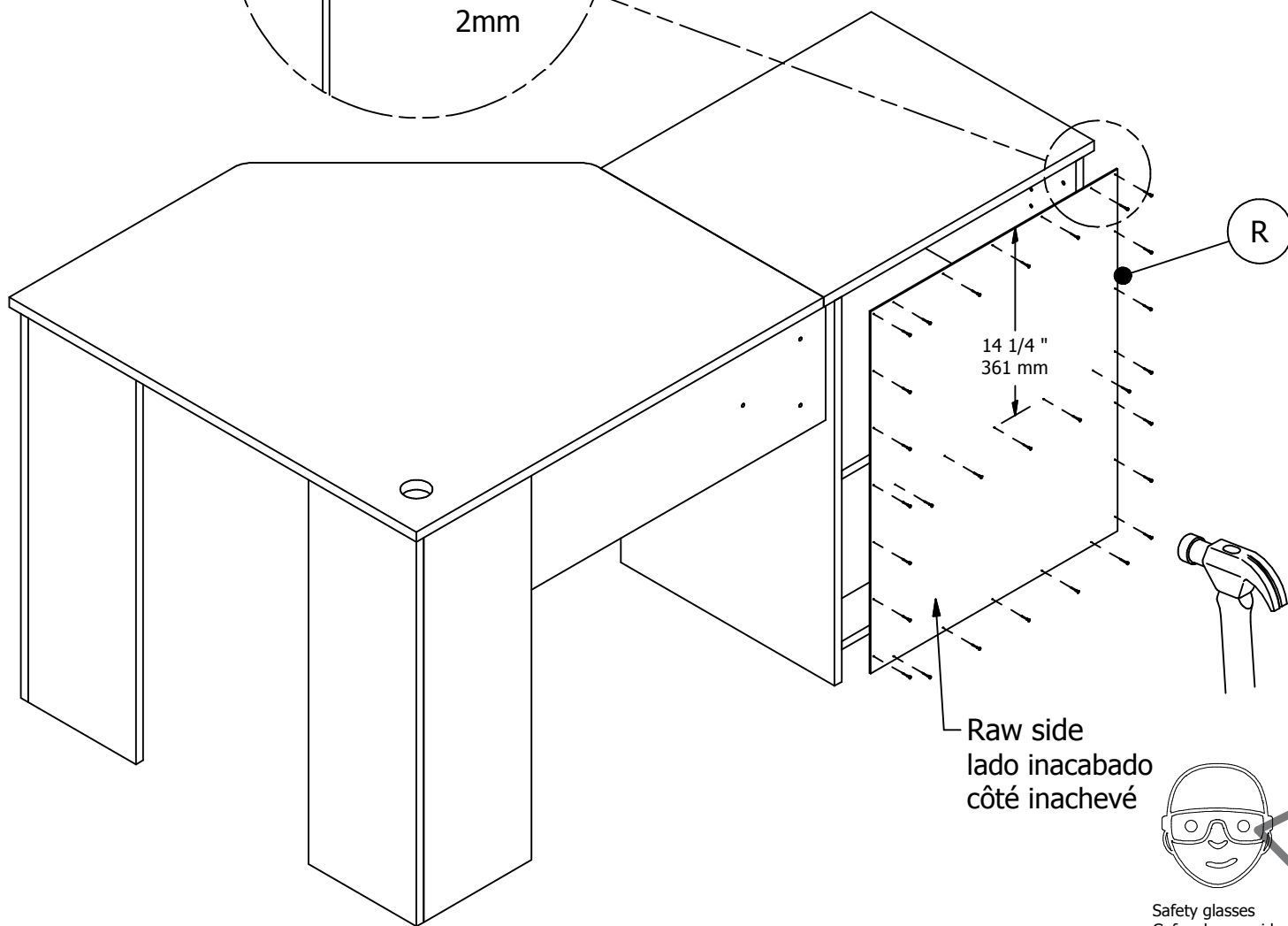
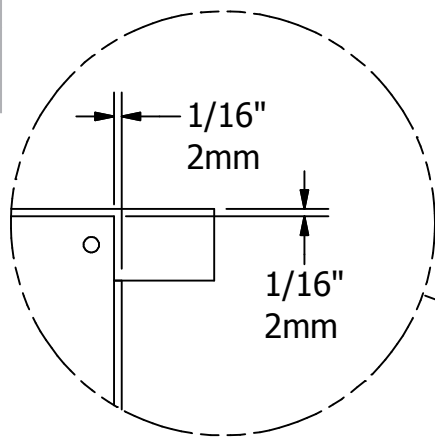
H35251



Have an assembly question or need a replacement part? Just call **1-800-950-4782**, we are here to help.



H34174  [ 29 ]  
Nail 19mm



Safety glasses  
Gafas de seguridad  
Lunettes de protection

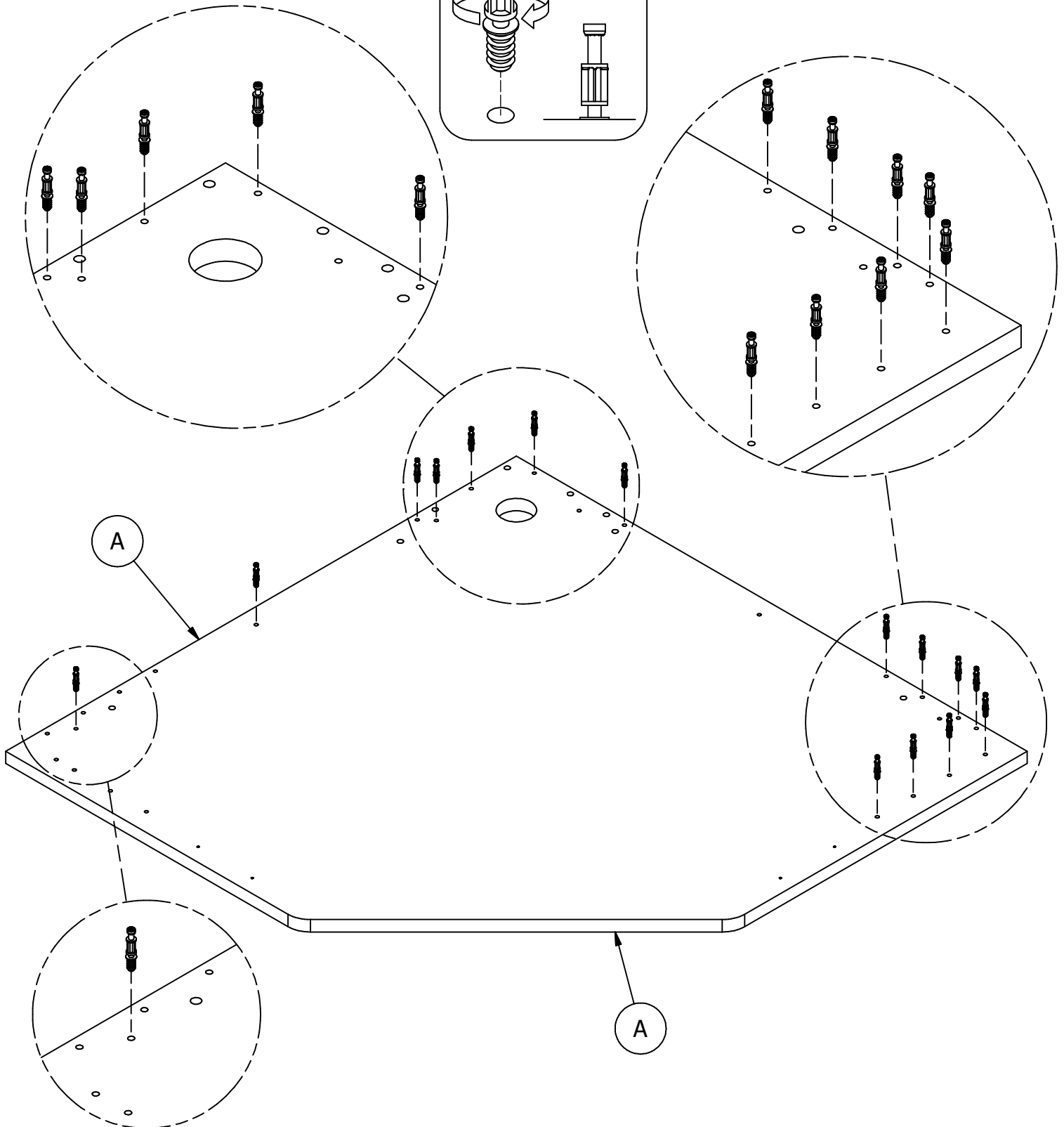
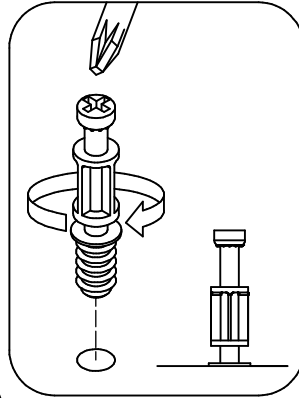
Go to Step 33 when finished.

Vaya al paso 33 cuando haya terminado.

Passez à l'étape 33 lorsque vous avez terminé.

Have an assembly question or need a replacement part? Just call  
**1-800-950-4782**, we are here to help.

H72988 [ 15 ]  
KD Bolt

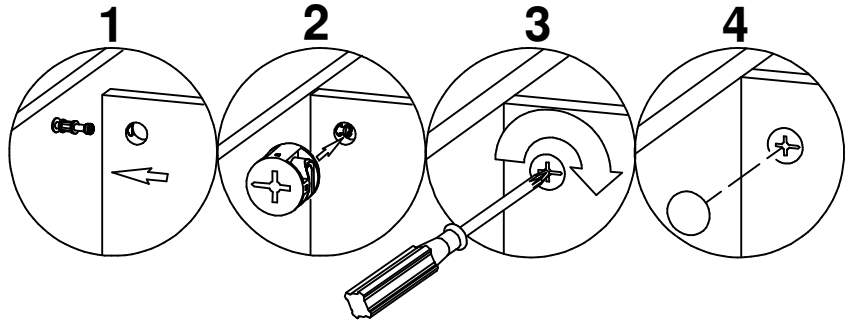


Have an assembly question or need a replacement part? Just call  
**1-800-950-4782**, we are here to help.

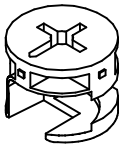
Scan QR Code to Watch Video on:



How to Tighten KD Cams

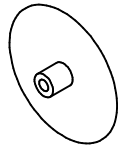


H71659



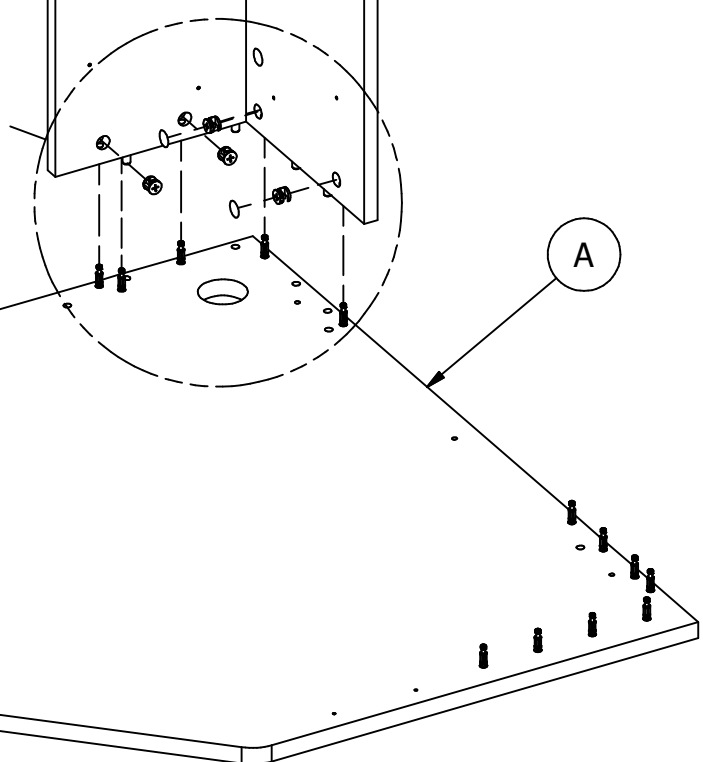
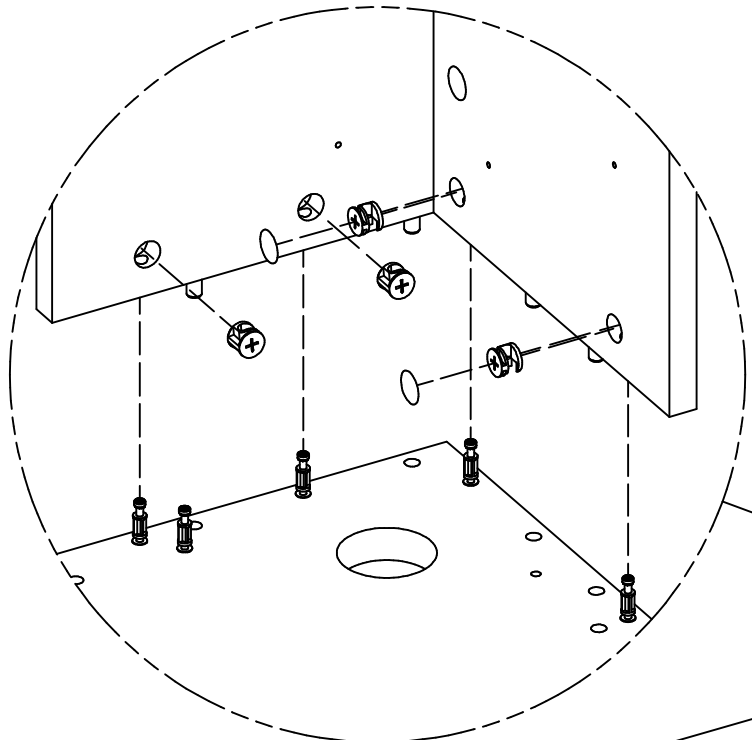
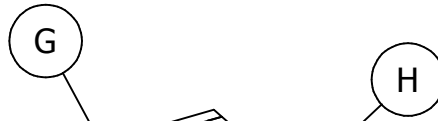
KD Cam

[ 4 ]



Cover Cap

[ 2 ]



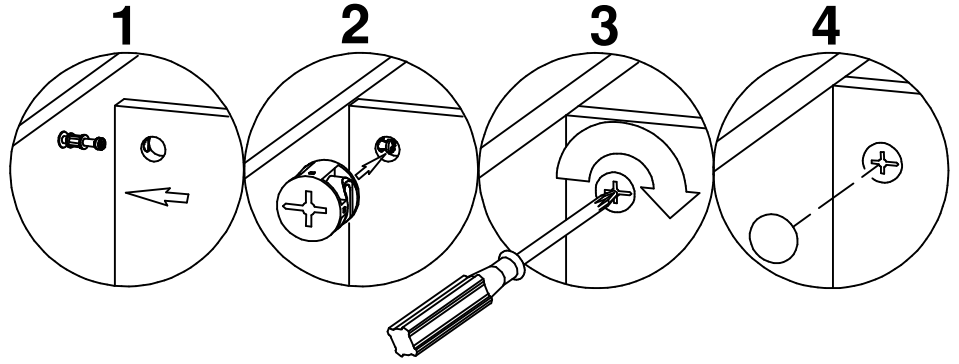
Have an assembly question or need a replacement part? Just call **1-800-950-4782**, we are here to help.



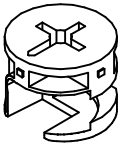
Scan QR Code to Watch Video on:



How to Tighten KD Cams

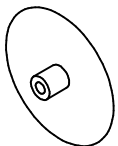


H71659



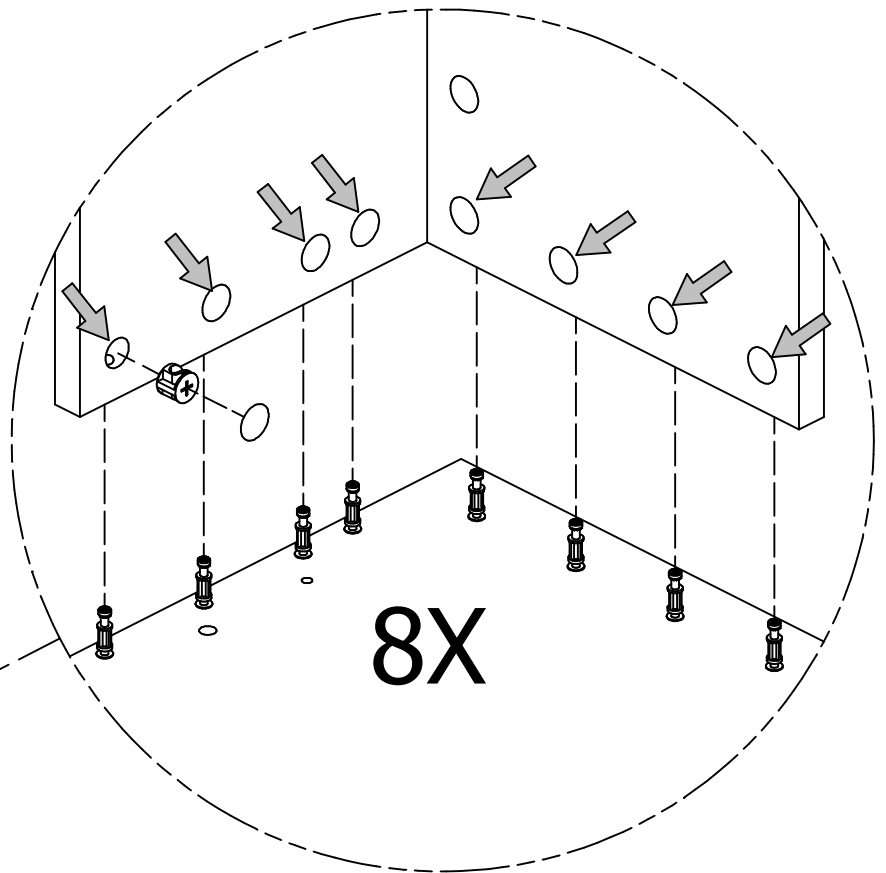
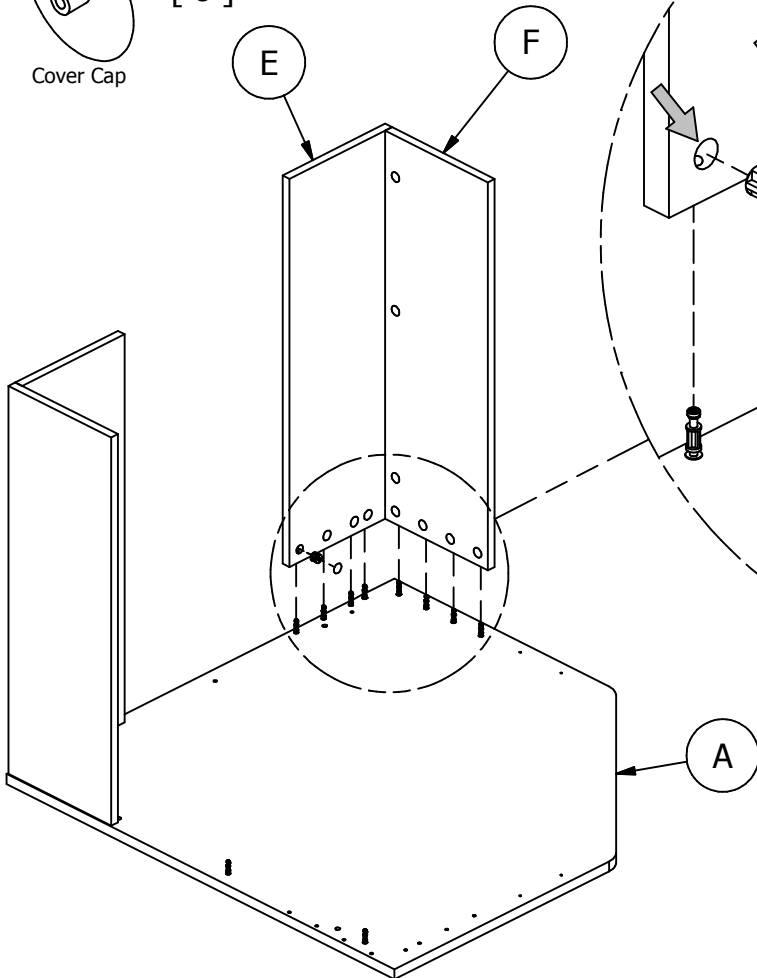
[ 8 ]

KD Cam



Cover Cap

[ 8 ]



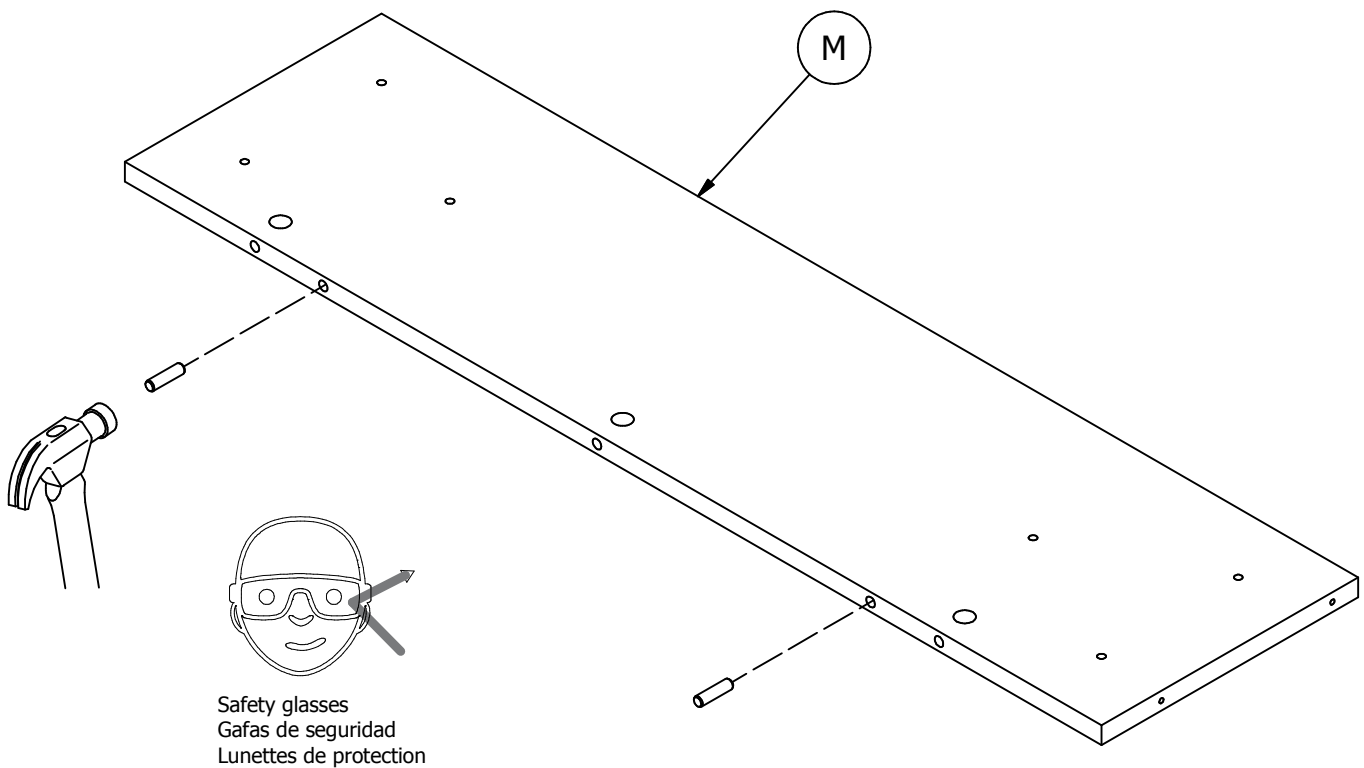
Have an assembly question or need a replacement part? Just call **1-800-950-4782**, we are here to help.

H38169



[ 2 ]

Wood Dowel 8 x 30

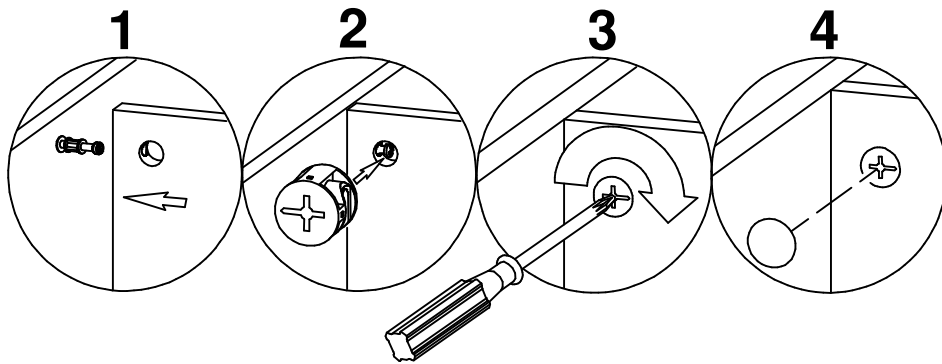


Safety glasses  
Gafas de seguridad  
Lunettes de protection

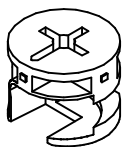
Scan QR Code to Watch Video on:



How to Tighten KD Cams

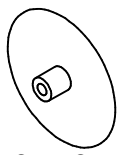


H71659



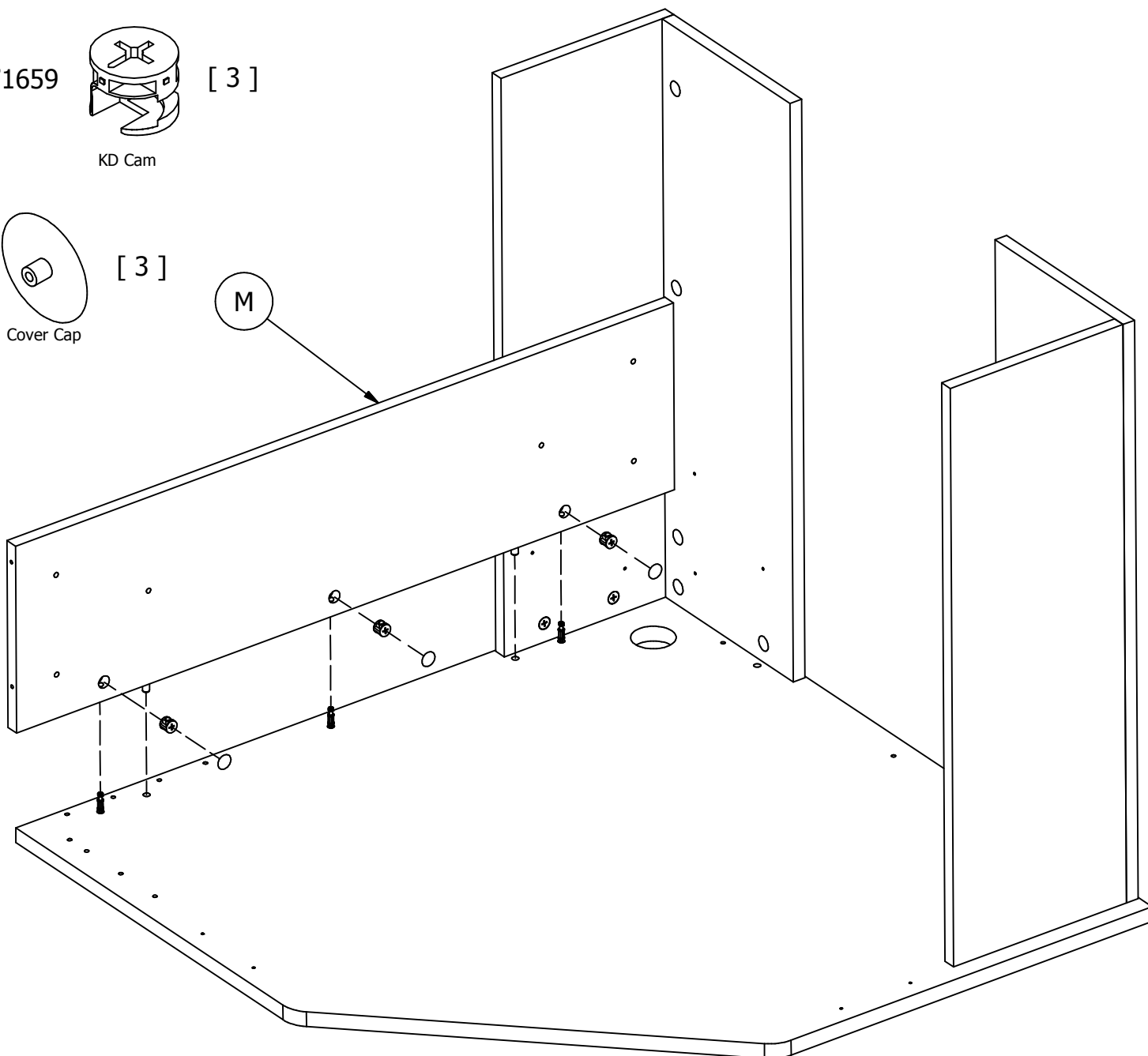
[ 3 ]

KD Cam



[ 3 ]

Cover Cap

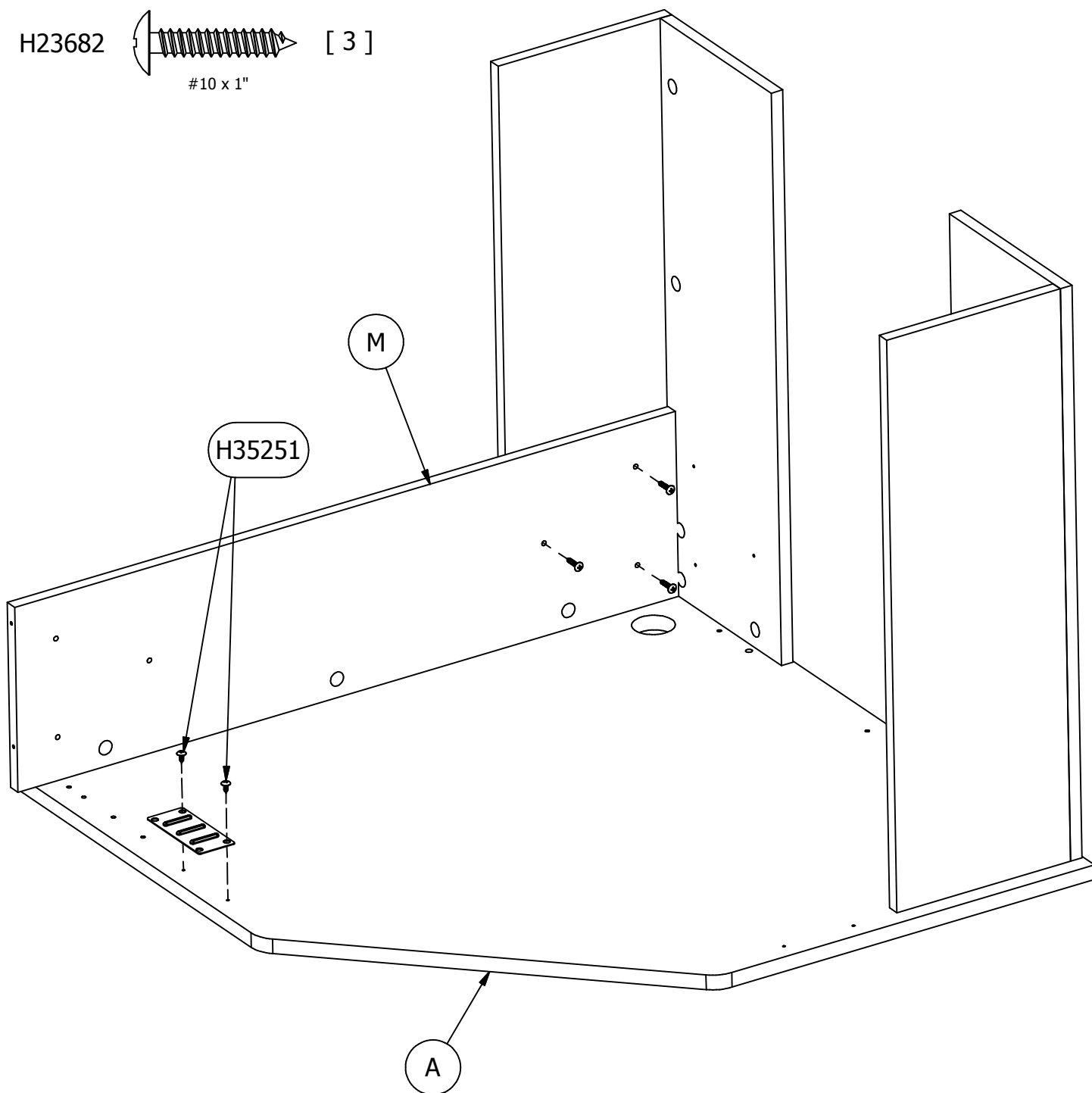


Have an assembly question or need a replacement part? Just call **1-800-950-4782**, we are here to help.

H35251 [ 2 ]  
#10 x 1/2"

H39922 [ 1 ]  
Strap

H23682 [ 3 ]  
#10 x 1"

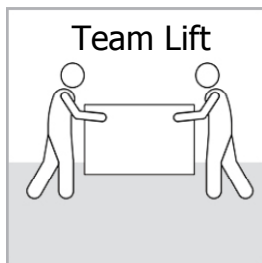



Have an assembly question or need a replacement part? Just call  
**1-800-950-4782**, we are here to help.

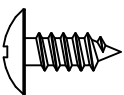
# STEP 31

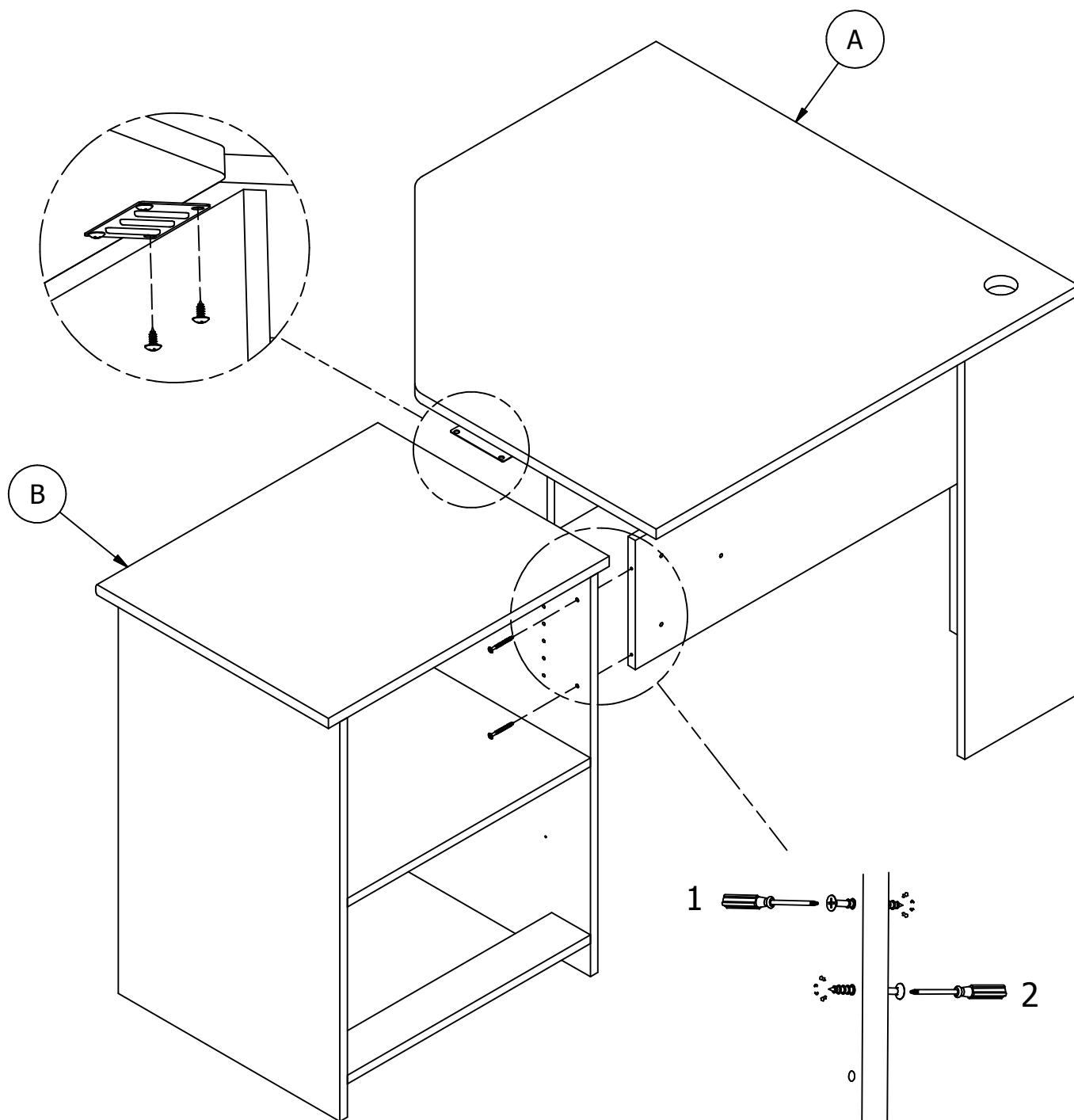
# Assemble Panels

A175369C

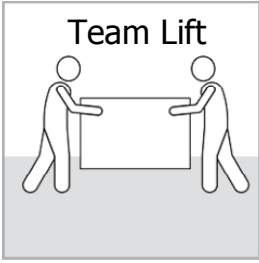


H23491  [ 2 ]  
#10 x 2"

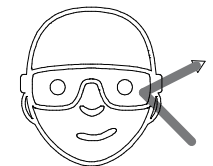
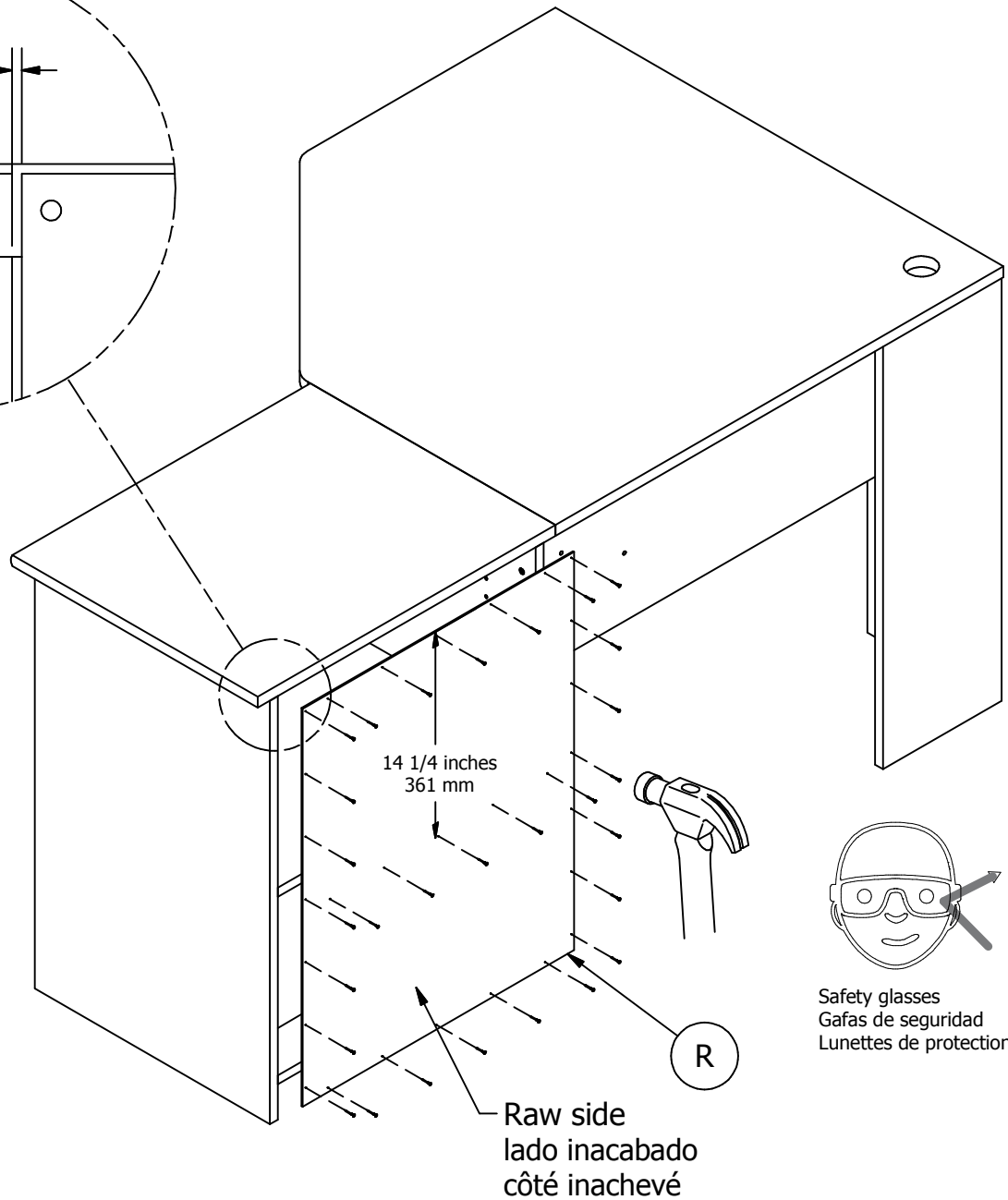
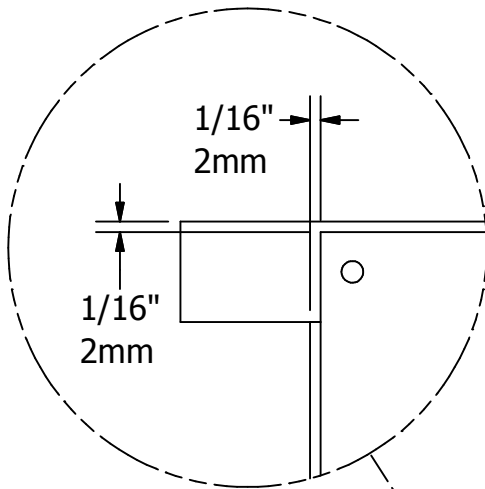
H35251  [ 2 ]  
#10 x 1/2"



Have an assembly question or need a replacement part? Just call  
**1-800-950-4782**, we are here to help.



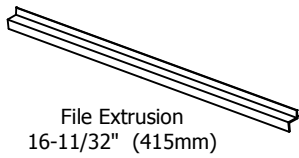
H34174  [ 29 ]  
Nail 19mm



Safety glasses  
Gafas de seguridad  
Lunettes de protection

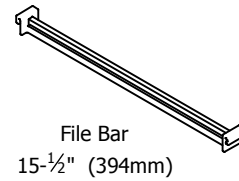
Have an assembly question or need a replacement part? Just call  
**1-800-950-4782**, we are here to help.

H94305



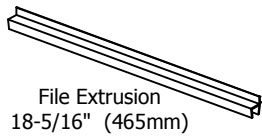
[ 2 ]

H126832

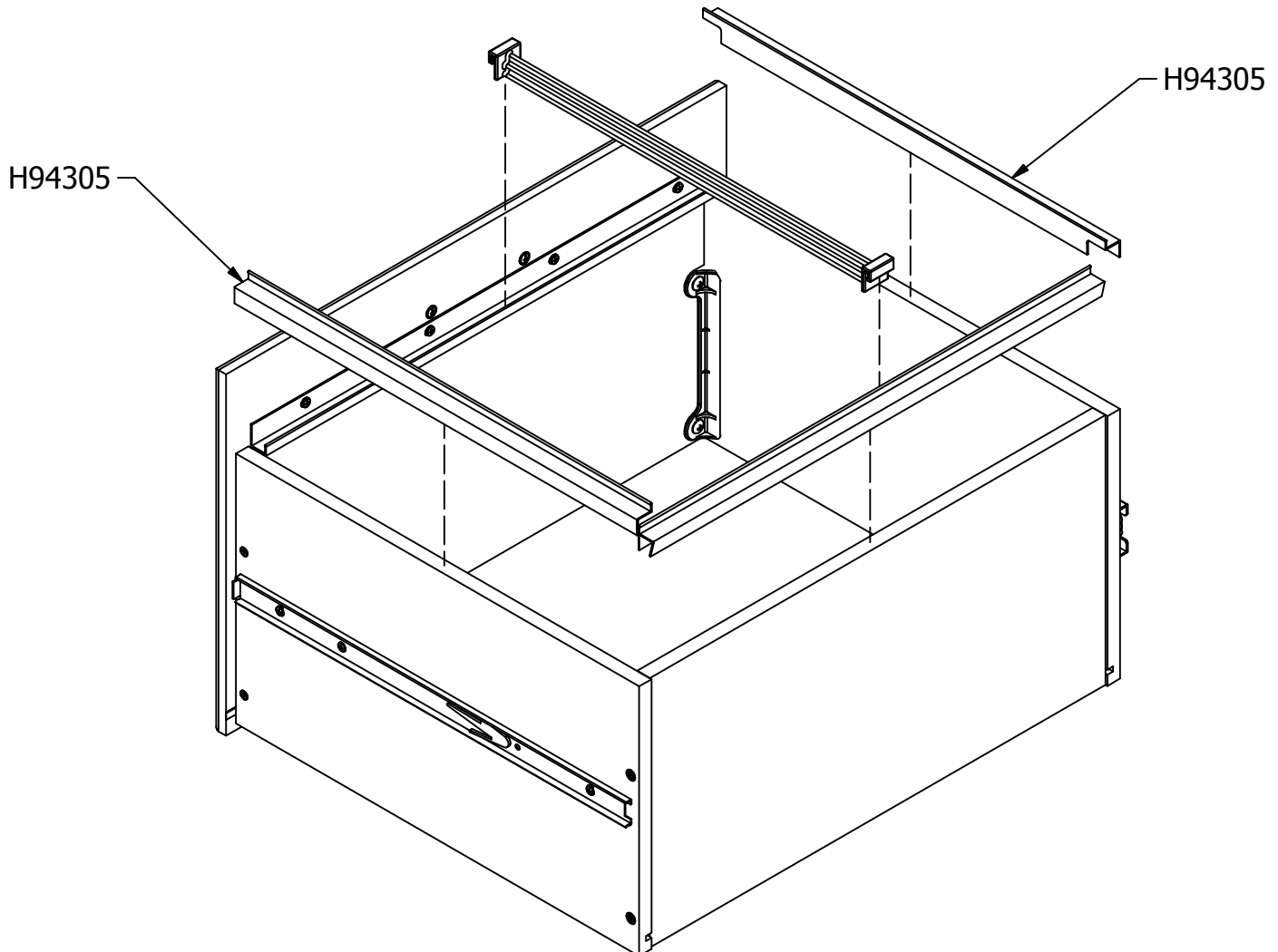


[ 1 ]

H166198



[ 1 ]

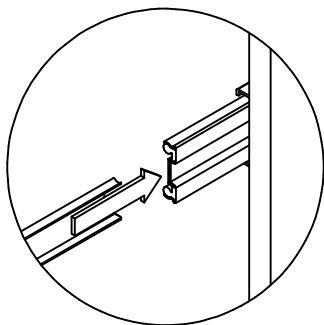
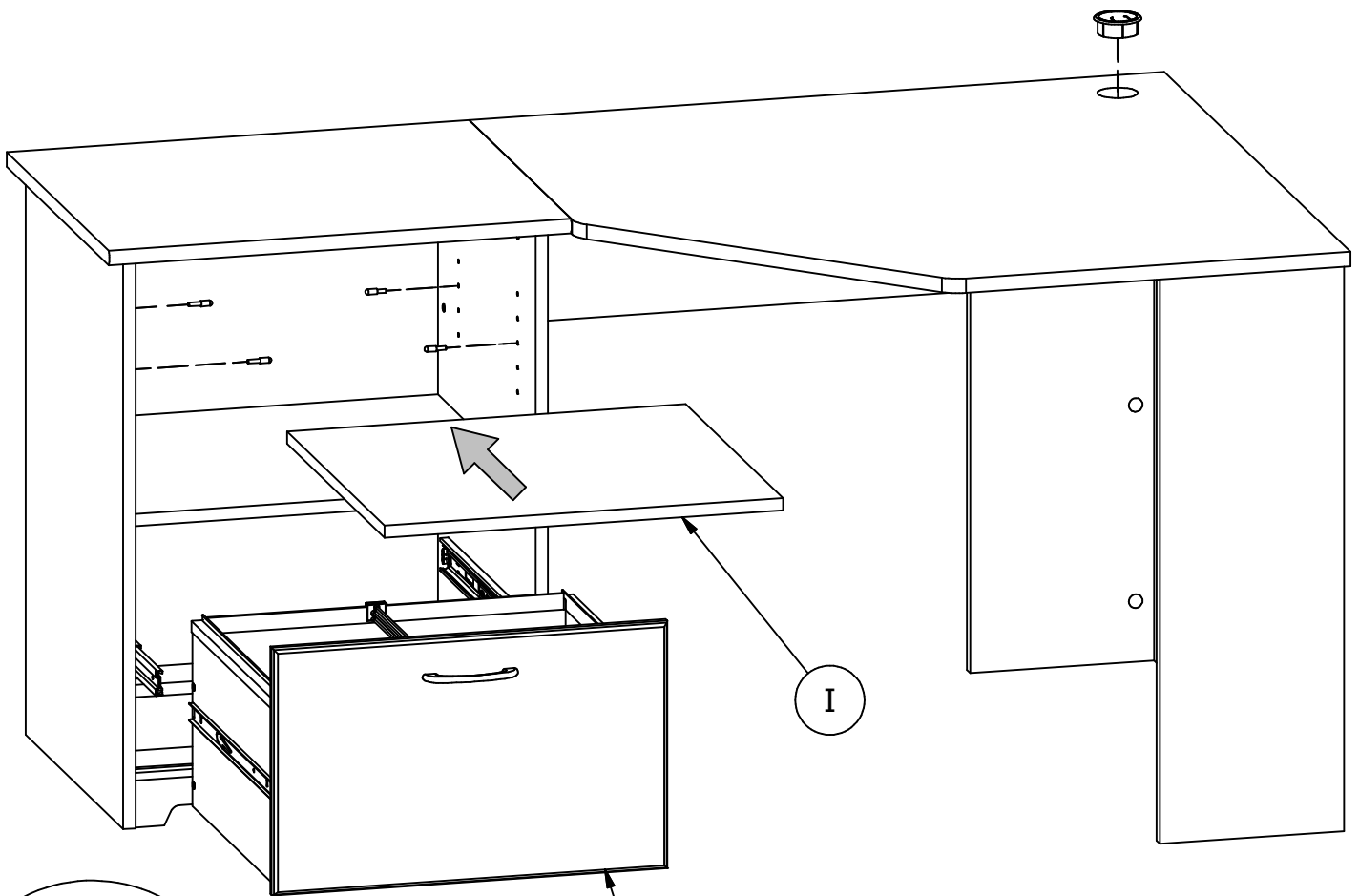
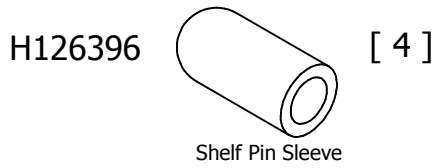
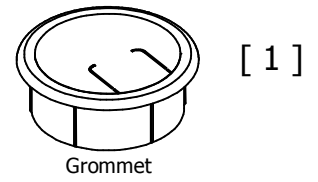
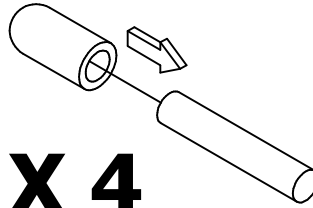
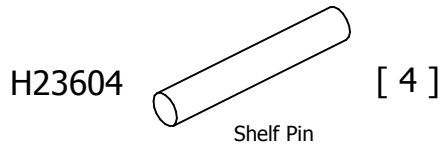


Have an assembly question or need a replacement part? Just call  
**1-800-950-4782**, we are here to help.

# STEP 34

# Install Drawer / Shelf

A175369C



Have an assembly question or need a replacement part? Just call  
**1-800-950-4782**, we are here to help.



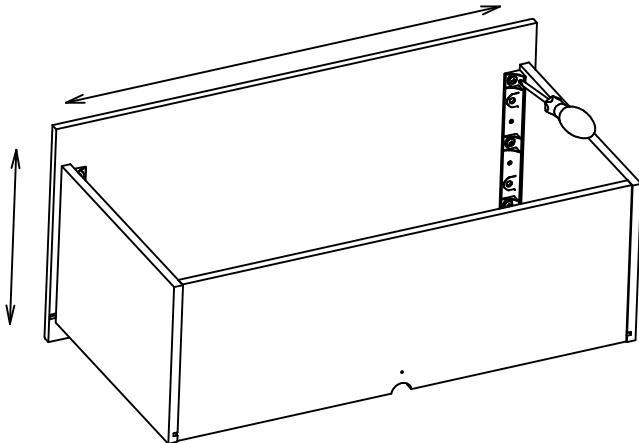
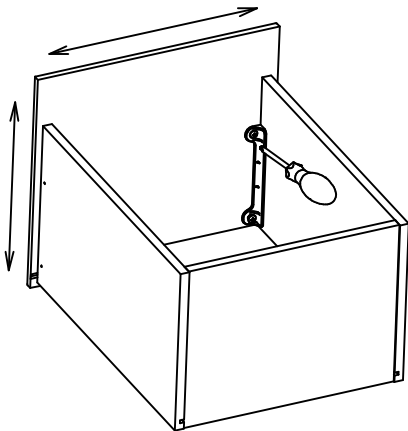
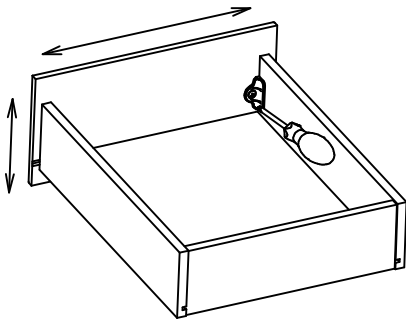
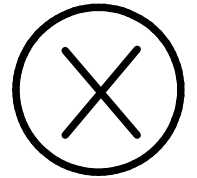
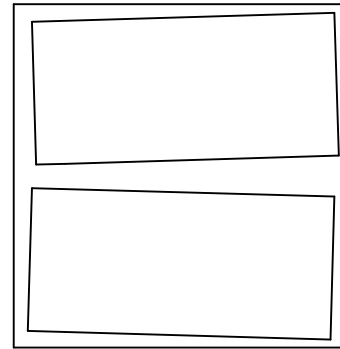
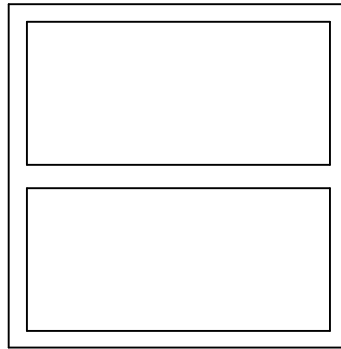
Scan QR Code to Watch Video on:



How to Adjust Drawer Fronts



DRAWER FRONT VIEW



REQUIRED TOOL: PHILLIPS SCREWDRIVER

HERRAMIENTA REQUERIDA: DESTORNILLADOR PHILLIPS  
 OUTIL REQUIS: TOURNEVIS CRUCIFORME



1. LOOSEN SCREWS.
2. ADJUST DRAWER FRONTS.
3. TIGHTEN SCREWS.

1. Afloje los tornillos
2. Ajustar frentes de cajón
3. Apriete los tornillos

1. Desserrer les vis
2. Ajuster les façades des tiroirs
3. Serrer les vis

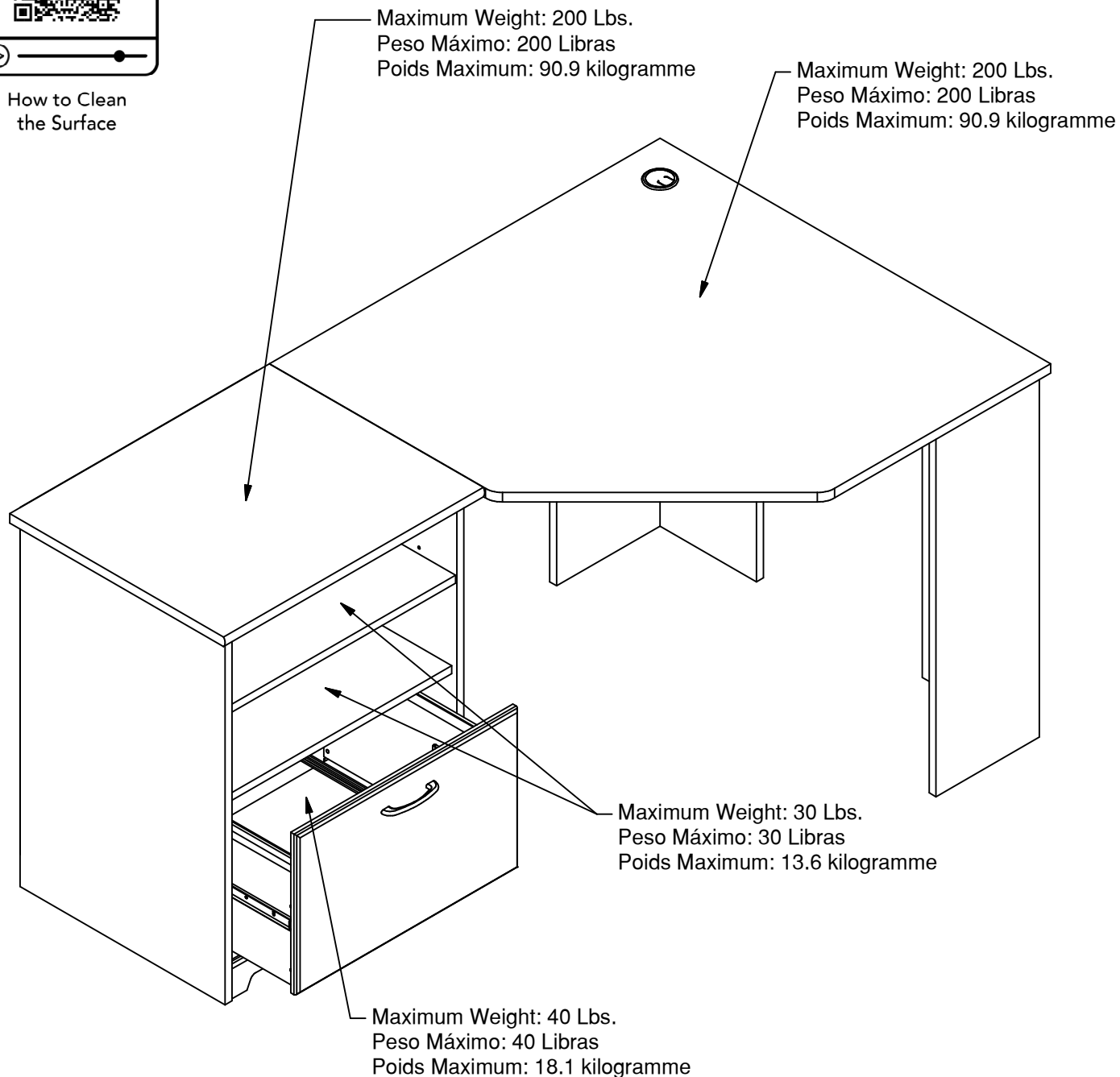
Have an assembly question or need a replacement part? Just call **1-800-950-4782**, we are here to help.

Scan QR Code to Watch Video on:



How to Clean the Surface

Gently clean surfaces with a damp sponge eraser.



Congratulations! You are all done. If you have any questions or concerns, please call.

Have an assembly question or need a replacement part? Just call **1-800-950-4782**, we are here to help.

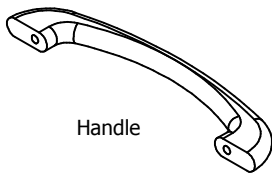
# PARTS LIST

A175369C

WC31215		
LABEL CODE	PART NUMBER	QTY
A	W196789	1
B	W196781	1
C	W196790	1
D	W196791	1
E	W196786	1
F	W196782	1
G	W196792	1
H	W196793	1
I	W196783	1
J	W196784	1
K	W184815	1
L	W196788	1
M	W196794	1
N	W196785	1
O	W107681	2
P	W184819	1
Q	W184820	1
R	W196795	1
S	W196787	1

WC31615		
LABEL CODE	PART NUMBER	QTY
A	W196834	1
B	W196826	1
C	W196835	1
D	W196836	1
E	W196831	1
F	W196827	1
G	W196837	1
H	W196838	1
I	W196828	1
J	W196829	1
K	W184815	1
L	W196833	1
M	W196839	1
N	W196830	1
O	W107681	2
P	W184819	1
Q	W184820	1
R	W196840	1
S	W196832	1

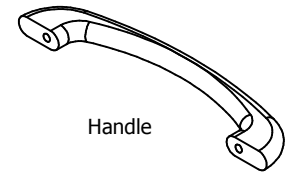
H192372



Handle

[ 1 ]

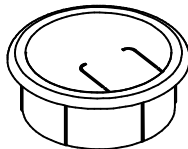
H160870



Handle

[ 1 ]

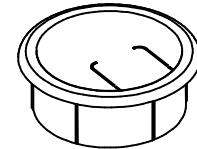
H151406



Grommet

[ 1 ]

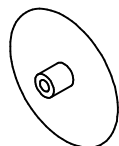
H118700



Grommet

[ 1 ]

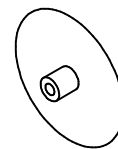
H83021



Cover Cap

[ 22 ]

H163153



Cover Cap

[ 22 ]

Have an assembly question or need a replacement part? Just call  
**1-800-950-4782**, we are here to help.

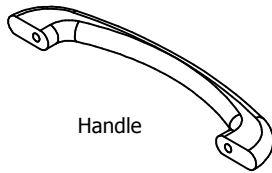
# PARTS LIST

A175369C

WC31715		
LABEL CODE	PART NUMBER	QTY
A	W184806	1
B	W184807	1
C	W184808	1
D	W184809	1
E	W184998	1
F	W184810	1
G	W184811	1
H	W184812	1
I	W184813	1
J	W184814	1
K	W184815	1
L	W193721	1
M	W184817	1
N	W184818	1
O	W107681	2
P	W184819	1
Q	W184820	1
R	W184821	1
S	W184999	1

WC31915		
LABEL CODE	PART NUMBER	QTY
A	W192136	1
B	W192128	1
C	W192137	1
D	W192138	1
E	W192134	1
F	W192129	1
G	W192139	1
H	W192140	1
I	W192130	1
J	W192131	1
K	W184815	1
L	W193722	1
M	W192141	1
N	W192133	1
O	W107681	2
P	W184819	1
Q	W184820	1
R	W192142	1
S	W192135	1

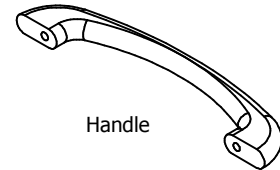
H160870



Handle

[ 1 ]

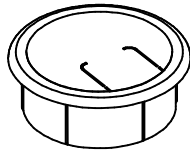
H192372



Handle

[ 1 ]

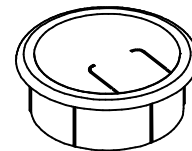
H107716



Grommet

[ 1 ]

H184440



Grommet

[ 1 ]

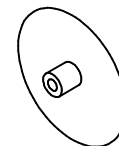
H92521



Cover Cap

[ 22 ]

H73619



Cover Cap

[ 22 ]

Have an assembly question or need a replacement part? Just call  
**1-800-950-4782**, we are here to help.