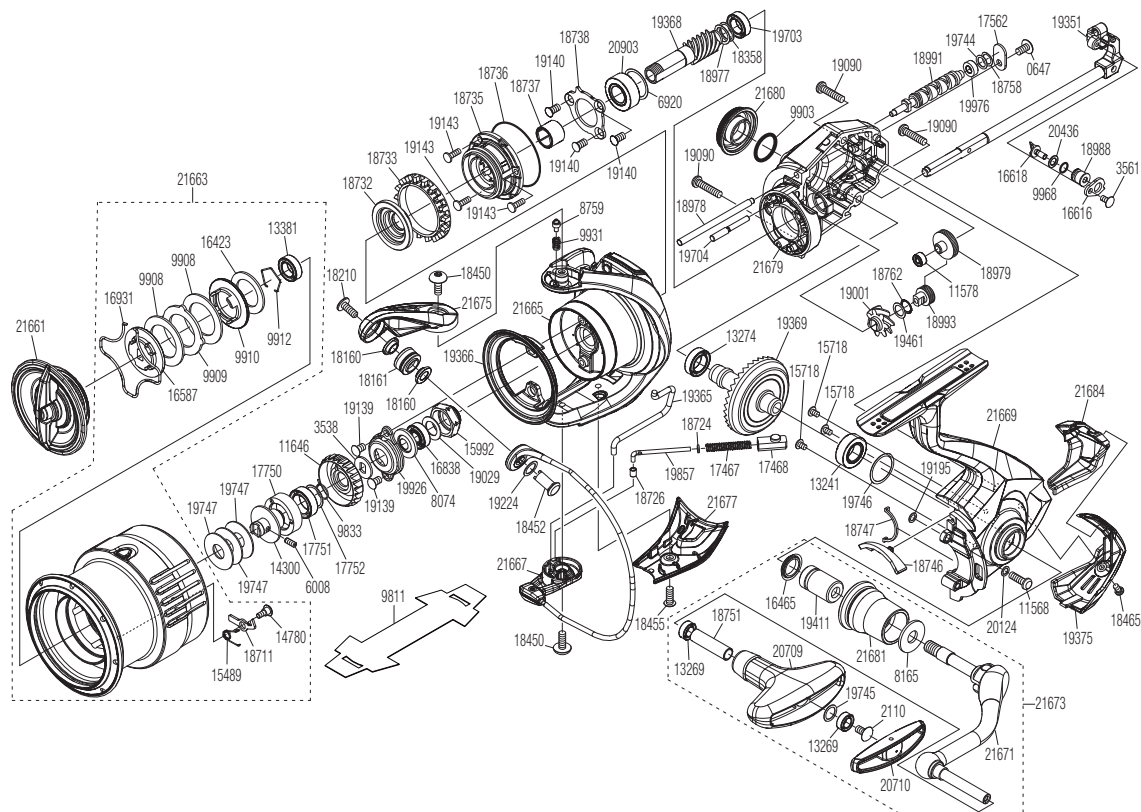


# SHIMANO

## EXSENCE SA-RB

## EXS-4000MXG



Please note that the number of adjusting washers may not be the same as shown in the exploded views. (Adjustment will vary with each individual product.)

(51SF50H042X)

RD 18735 Roller Clutch Assembly please send the equipment out to after-sales service for replacement of the roller clutch assembly.

| Part No. | Description                | Part No. | Description                   | Part No. | Description                  |
|----------|----------------------------|----------|-------------------------------|----------|------------------------------|
| RD 0647  | Screw                      | RD18160  | Bearing Spacer                | RD19411  | Handle Shaft Cover B         |
| RD 2110  | Screw                      | RD18161  | Line Roller Set               | RD19461  | Washer                       |
| RD 3538  | Spool Support              | RD18210  | Screw                         | RD19703  | Ball Bearing                 |
| RD 3561  | Screw                      | RD18358  | Spacer                        | RD19704  | Idle Gear Shaft              |
| RD 6008  | Set Screw                  | RD18450  | Screw                         | RD19744  | Washer                       |
| RD 6920  | Washer                     | RD18452  | Line Roller Support           | RD19745  | Washer                       |
| RD 8074  | Bearing Water Proof        | RD18455  | Screw                         | RD19746  | Washer                       |
| RD 8165  | Washer                     | RD18465  | Screw                         | RD19747  | Spool Washer                 |
| RD 8759  | Click Pin                  | RD18711  | Drag Click                    | RD19857  | Bail Spring Guide A          |
| RD 9833  | Ratchet Spring             | RD18724  | Spring Guide A Support Collar | RD19926  | Nut Lock Plate               |
| RD 9903  | O Ring                     | RD18726  | Bail Spring Guide A Bush      | RD19976  | Bushing                      |
| RD 9908  | Drag Washer A              | RD18732  | Rotor Ring                    | RD20124  | Washer                       |
| RD 9909  | Eared Washer               | RD18733  | Friction Ring                 | RD20436  | Washer                       |
| RD 9910  | Key Washer A               | RD18735  | Roller Clutch Assembly        | RD20709  | Handle Knob                  |
| RD 9912  | Bearing Retainer           | RD18736  | Roller Clutch Case Seal       | RD20710  | Handle Knob Seal             |
| RD 9931  | Click Spring               | RD18737  | Roller Clutch Inner           | RD20903  | Ball Bearing                 |
| RD 9968  | O Ring                     | RD18738  | Bearing Retainer              | RD21661  | Drag Knob Assembly           |
| RD11568  | Screw                      | RD18746  | Bail Trip Strike              | RD21663  | Spool Assembly               |
| RD11578  | Ball Bearing               | RD18747  | Flange Water Proof            | RD21665  | Rotor Assembly               |
| RD11646  | Drag Click Ratchet         | RD18751  | Handle Knob Shaft Pipe        | RD21667  | Bail Assembly                |
| RD13241  | Ball Bearing               | RD18758  | Washer                        | RD21669  | Side Cover Assembly          |
| RD13269  | Ball Bearing               | RD18762  | Washer                        | RD21671  | Handle Shank Assembly        |
| RD13274  | Ball Bearing               | RD18977  | Washer                        | RD21673  | Handle Assembly              |
| RD13381  | Ball Bearing               | RD18978  | Oscillating Guide A           | RD21675  | Bail Arm                     |
| RD14300  | Spool Bearing Bushing      | RD18979  | Idle Gear                     | RD21677  | Bail Hold Support Guard      |
| RD14780  | Screw                      | RD18988  | Oscillating Slider Bushing    | RD21679  | Body                         |
| RD15489  | Drag Click Spring          | RD18991  | Worm Shaft                    | RD21680  | Handle Screw Cap             |
| RD15718  | Screw                      | RD18993  | Idle Gear (Small)             | RD21681  | Handle Shaft Cover           |
| RD15992  | Rotor Nut                  | RD19001  | Idle Gear (Large)             | RD21684  | Rear Shield                  |
| RD16423  | Drag Washer B              | RD19029  | Washer                        |          |                              |
| RD16465  | Handle Shaft Seal          | RD19090  | Screw                         |          |                              |
| RD16587  | Key Washer B               | RD19139  | Screw                         |          |                              |
| RD16616  | Oscillating Pawl Cover     | RD19140  | Screw                         |          |                              |
| RD16618  | Oscillating Pawl           | RD19143  | Screw                         |          |                              |
| RD16838  | Main Shaft Spacer Assembly | RD19195  | Washer                        |          |                              |
| RD16931  | Retainer                   | RD19224  | Washer                        |          |                              |
| RD17467  | Bail Spring                | RD19351  | Main Shaft Assembly           |          |                              |
| RD17468  | Bail Spring Guide B        | RD19365  | Bail Trip Lever               |          |                              |
| RD17562  | Worm Shaft Retainer        | RD19366  | Rotor Brim                    |          |                              |
| RD17750  | Bearing Spacer             | RD19368  | Pinion Gear                   |          |                              |
| RD17751  | Ball Bearing               | RD19369  | Drive Gear                    |          |                              |
| RD17752  | Washer                     | RD19375  | Rear Protector                | RD 9811  | Reel Seat Spacer (accessory) |