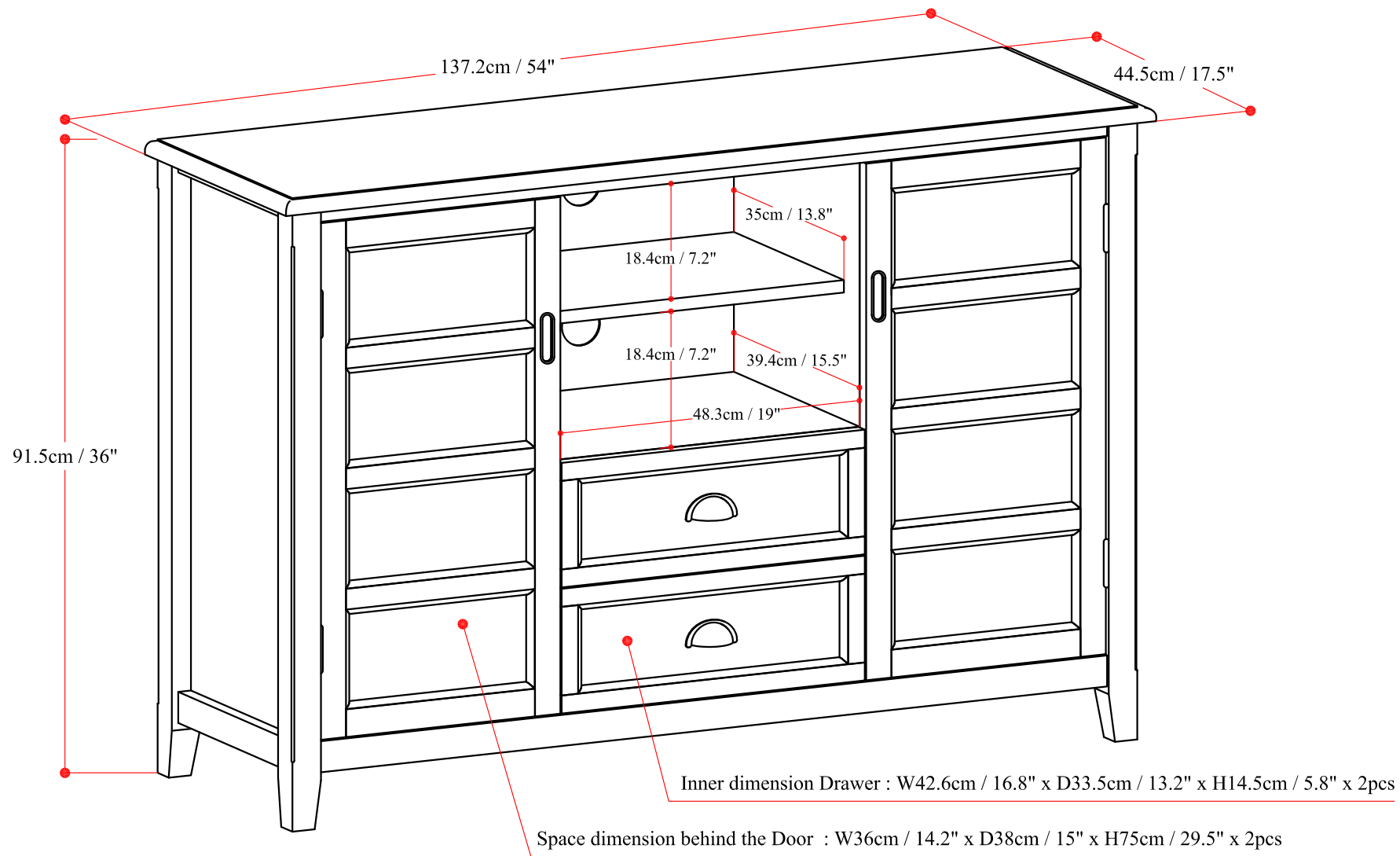


BURLINGTON TV STAND



Net Weight : 101.8 (lb)