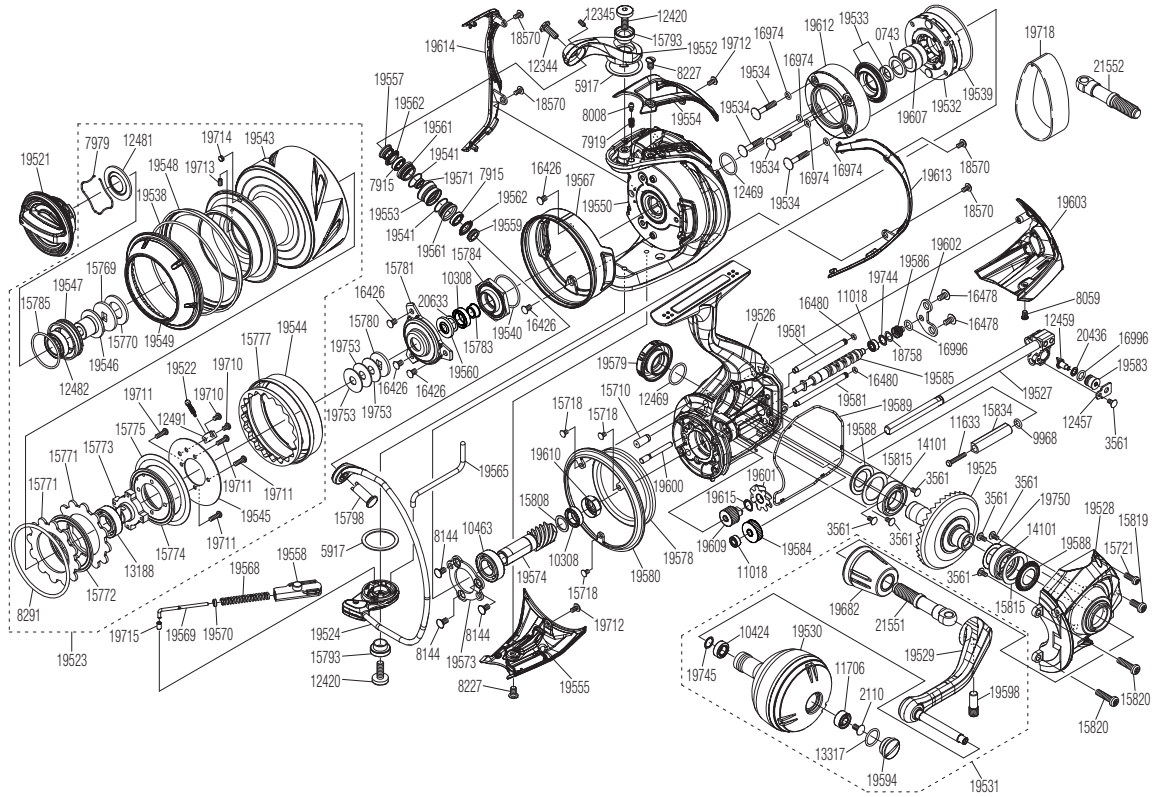


SHIMANO

STELLA **S**A-RB

STL-SW8000HG



Please note that the number of adjusting washers may not always be the same as shown in the exploded views.

(51SF24P082X)

Please note that your actions take full responsibility when you take it apart.

#	Part No.	Description	#	Part No.	Description	#	Part No.	Description
0743	10HHL	Washer	15820	10PVN	Screw	19574	10167	Pinion Gear
2110	103E9	Screw	15834	10AYL	Collar	19578	1014J	Friction Ring
3561	10MT4	Screw	16426	103LB	Screw	19579	100TN	Handle Screw Cap
5917	10HDP	Washer	16478	103EB	Screw	19580	1014M	Body Flange Ring
7915	104W1	Ball Bearing	16490	10JAB	O Ring	19581	10147	Oscillating Guide
7919	107Q1	Click Spring	16974	10LAD	O Ring	19583	10164	Oscillating Slider Bushing
7979	10B6F	Retainer	16996	10TNF	O Ring	19584	1014H	Idle Gear
8008	10CH8	Click Pin	18570	10MT2	Screw	19585	1014Y	Worm Shaft
8059	10L9D	Screw	18758	10TK0	Washer	19586	1015D	Bushing
8144	10ML2	Screw	19521	10DVR	Drag Knob Assembly	19588	1015Q	Bearing Water Proof
8227	10CYT	Screw	19522	10E90	Drag Click Assembly	19589	10154	Body Seal
8291	108WD	O Ring	19523	10DVP	Spool Assembly	19594	10E83	Handle Knob Seal
9968	108W9	O Ring	19524	10E14	Bail Assembly	19598	10E85	Screw
10308	104PN	Ball Bearing	19525	1014V	Drive Gear Assembly	19600	1014U	Idle Gear Shaft
10424	105BN	Ball Bearing	19526	10DVB	Body Assembly	19601	10168	Idle Gear (Large)
10463	10BGC	Ball Bearing	19527	10DV9	Main Shaft Assembly	19602	1014Z	Worm Shaft Retainer
11018	10PDA	Ball Bearing	19528	10E13	Side Cover Assembly	19603	1011E	Rear Protector
11633	10LSC	Screw	19529	10DV7	Handle Shank Assembly	19607	1014F	Roller Clutch Inner
11706	10KX1	Ball Bearing	19530	10DVA	Handle Knob Assembly	19609	1016L	Idle Gear (Small)
12344	10K46	Screw	19531	1017D	Handle Assembly	19610	10169	Bushing
12345	10PN1	Set Screw	19532	10DUZ	Roller Clutch Assembly	19612	10148	Clutch Water Proof Cover
12420	10Q86	Screw	19533	10DV8	Roller Clutch Waterproof Assembly	19613	1010P	Rotor Guard A
12457	10H7R	Oscillating Pawl Cover	19534	1015M	Screw	19614	1010M	Rotor Guard B
12459	106V5	Oscillating Pawl	19538	10DUS	O Ring	19615	10160	Washer
12469	108WP	O Ring	19539	1014X	O Ring	19628	1004L	Handle Shaft Cover Assembly
12481	10LQZ	Waterproof Sheet	19540	10163	O Ring	19710	10LV6	Screw
12482	10KX7	Ball Bearing	19541	1015L	O Ring	19711	10E69	Screw
12491	109ZN	Spring Holder	19543	1011C	Spool Shell	19712	10DN7	Screw
13188	10BGD	Ball Bearing	19544	10OC8	Drag Cover	19713	10PVL	Set Screw
13317	10LAB	O Ring	19545	1016H	Drag Plate Washer	19714	10EAG	Spool Ring Pin
14101	104PW	Ball Bearing	19546	10152	Bearing Support	19715	10R2F	Bail Spring Guide A Bush
15710	10AYR	Body Flange Seal	19547	10DUR	Bearing Bushing	19744	100XZ	Washer
15718	105G0	O Ring	19548	1014L	Spool Ring	19745	104FH	Washer
15721	10A6N	Screw	19549	10DTH	Collar	19750	101DP	Washer
15769	10BC5	Key Washer	19550	1010T	Rotor	19753	101DJ	Spool Washer
15770	10344	Drag Washer A	19552	1010R	Bail Arm	20436	100CW	Washer
15771	10C19	Drag Washer B	19553	10DUT	Line Roller	20633	100J0	Washer
15772	10BS8	Drug Disk A	19554	1010Q	Bail Spring Cover	21551	10RFY	Handle Shaft
15773	10LTY	Bearing Bushing	19555	1010L	Bail Hold Support Guard			
15774	10BY4	Drug Disk B	19557	1016P	Line Roller Plate			
15775	10JPK	Spool Bearing Water Proof	19558	10153	Bail Spring Guide B			
15777	109ZQ	Drag Click Ratchet	19559	1014N	Collar			
15780	103MW	Spool Support	19560	10DVG	Bearing Water Proof			
15781	10K30	Retainer	19561	1015Z	Bushing			
15783	1072S	Spacer	19562	1016K	Line Roller Seal			
15784	1080Z	Rotor Nut	19565	1014D	Bail Trip Lever			
15785	10C60	O Ring	19567	1010N	Rotor Brim			
15793	10K7M	Collar	19568	1015E	Bail Spring			
15798	10Q3F	Line Roller Support	19569	1016J	Bail Spring Guide A			
15808	10GFJ	Washer	19570	10DUU	Spring Guide A Support Collar			
15815	10BGG	Washer	19571	1014P	Collar	19718	109UW	Belt (M) (accessory)
15819	10PVM	Screw	19573	10150	Bearing Retainer	21552	10RFH	Handle Shaft (Right) (accessory)