



Project \_\_\_\_\_  
 Item # \_\_\_\_\_  
 Quantity \_\_\_\_\_

## Commercial Coffee Urns

Models: ECU-50A | ECU-100A | ECU-100A-I

Keep customers happy and perked up at your next event by bringing quality coffee. These percolating coffee urns consistently brews delicious, flavorful coffee day in and day out, and recycles automatically between brewing and holding modes to maintain the coffee at the ideal serving temperature.

### Standard Features

- ◆ Large capacity brews 50 or 100 cups of 5oz (148ml) coffee
- ◆ Polished #304 stainless steel construction
- ◆ Twist-locking lid design
- ◆ Cool touch handles
- ◆ Dripless faucet with protected level indicator
- ◆ Waterproof ON/OFF switch with protective cover
- ◆ Stainless steel percolator pipe and plastic filter basket
- ◆ Heating and holding indicator lights
- ◆ Automatic shut-off safety feature
- ◆ One year parts and labor warranty



### Parts

EWCU-P3	Faucet Assembly
EWCU-P6	Water Gauge Assembly for ECU-50A
EWCU-P7	Water Gauge Assembly for ECU-100A
EWCU-P13	Percolating System for ECU-50A
EWCU-P14	Percolating System for ECU-100A
EWCU-P19	Locking Lid Assembly for ECU-50A and EWB-50A
EWCU-P20	Locking Lid Assembly for ECU-100A and EWB-100A

### Options & Accessories

SGN-series	Stainless Steel Beverage Signs
DT-series	Drip Trays
VSW-series	Push Button Beverage Servers
CF-series	Beverage Carafes
VSS-series	Coffee/Cream Servers
CLO-series	Cup & Lid Organizers
CLSO-series	Cup & Lid Organizers

#### For California Customers

**WARNING:** Cancer and Reproductive Harm - [www.P65Warnings.ca.gov](http://www.P65Warnings.ca.gov)

Winco®

[www.wincous.com](http://www.wincous.com)

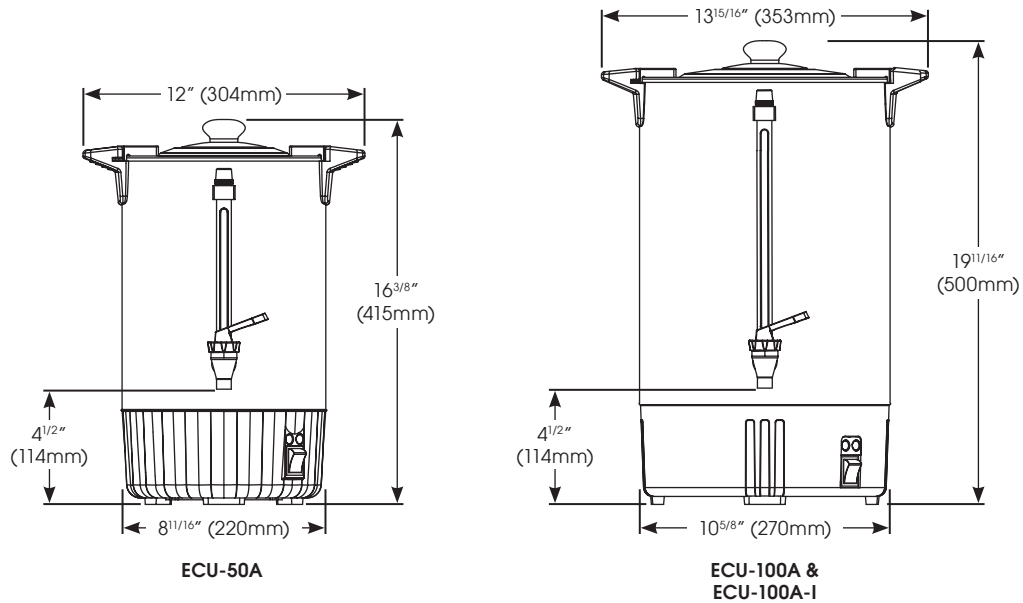
**New Jersey Headquarters & Distribution Center**  
 65 Industrial Road, Lodi, NJ 07644  
 Phone: 1-888-946-2682 | Fax: 1-973-916-9959

**Florida Showroom & Distribution Center**  
 10800 NW 103rd St. Bldg 22, Ste 11, Miami, FL 33178  
 Phone: 1-888-946-2682 | Fax: 1-973-916-9959

**Nevada Distribution Center**  
 3777 Marion Drive, Las Vegas, NV 89115  
 Phone: 1-888-946-2682 | Fax: 1-973-916-9959

# Winco® Commercial Coffee Urns

Models: ECU-50A | ECU-100A | ECU-100A-I



## Specifications

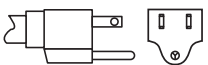
MODEL	DESCRIPTION	OVERALL DIMENSIONS			VOLTS	HZ	WATTS	AMPS	PLUG	SHIP WEIGHT
		LENGTH	DEPTH	HEIGHT						
ECU-50A	50 Cup (8 L)	12" (304mm)	8-11/16" (220mm)	16-3/8" (415mm)	110-120	60	950	8	NEMA 5-15P	7.05 lbs (3.2 kgs)
ECU-100A	100 Cup (16 L)	13-15/16" (353mm)	10-5/8" (270mm)	19-11/16" (500mm)			1500	12.5		9.7 lbs (4.4 kgs)
ECU-100A-I	100 Cup (16 L) International	13-15/16" (353mm)	10-5/8" (270mm)	19-11/16" (500mm)	220-240	50-60	1650	6.9 - 7.5	VDE	9.7 lbs (4.4 kgs)

## Cord Location

On back right side

## Plug Configuration

NEMA 5-15P



ECU-50A  
ECU-100A

VDE



ECU-100A-I

## Product Specs

### Commercial Coffee Urn

The Commercial Coffee Urns models ECU-50A, ECU-100A, and ECU-100A-I as manufactured by Winco®, Lodi, NJ 07644.

The Commercial Coffee Urn model ECU-50A with a 50 cup (8L) capacity shall be rated at 950 Watts and model ECU-100A with a 100 cup (16L) capacity shall be rated at 1500 Watts. Both units are rated for 110-120V-60Hz and supplied with a NEMA 5-15P plug. Model ECU-100A-I with a 100 cup (16L) capacity shall be rated at 1650 Watts for 220-240V-50-60Hz and supplied with a VDE plug. All units shall be constructed of polished #304 stainless steel with cool-touch handles. Units shall be equipped with a twist-locking lid, dripless faucet with protected level indicator, stainless steel percolator pipe and plastic filter basket, and waterproof ON/OFF switch with protective cover, heating and holding indicator lights, and automatic shut-off safety feature.

CE and ETL listed for safety (Canada & US).

Warranty consists of one year parts and labor.

Winco®

www.winco.us.com

**New Jersey Headquarters & Distribution Center**  
65 Industrial Road, Lodi, NJ 07644  
Phone: 1-888-946-2682 | Fax: 1-973-916-9959

**Florida Showroom & Distribution Center**  
10800 NW 103rd St. Bldg 22, Ste 11, Miami, FL 33178  
Phone: 1-888-946-2682 | Fax: 1-973-916-9959

**Nevada Distribution Center**  
3777 Marion Drive, Las Vegas, NV 89115  
Phone: 1-888-946-2682 | Fax: 1-973-916-9959