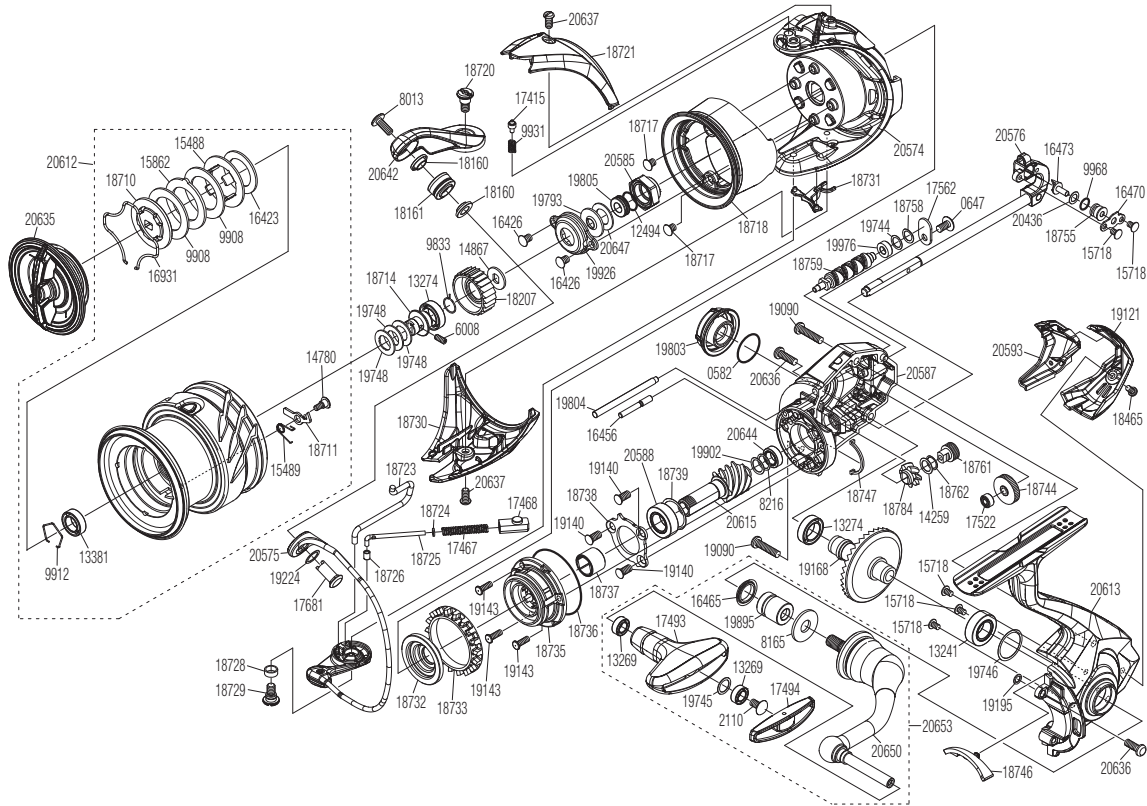


SHIMANO

TWIN POWER SA-RB

TP-C3000XG



Please note that the number of adjusting washers may not always be the same as shown in the exploded views.

(51SF29E033X)

Please note that your actions take full responsibility when you take it apart.

Part No.	Description	Part No.	Description	Part No.	Description
RD 0582	O Ring	RD18714	Spool Bearing Bushing	RD19902	Washer
RD 0647	Screw	RD18717	Screw	RD19926	Nut Lock Plate
RD 2110	Screw	RD18718	Rotor Brim	RD19976	Bushing
RD 6008	Set Screw	RD18720	Screw	RD20436	Washer
RD 8013	Screw	RD18721	Bail Spring Cover	RD20574	Rotor Assembly
RD 8165	Washer	RD18723	Bail Trip Lever	RD20575	Bail Assembly
RD 8216	Spacer	RD18724	Spring Guide A Support Collar	RD20576	Main Shaft Assembly
RD 9833	Ratchet Spring	RD18725	Bail Spring Guide	RD20585	Rotor Nut
RD 9908	Drag Washer A	RD18726	Bail Spring Guide A Bush	RD20587	Body
RD 9912	Bearing Retainer	RD18728	Collar	RD20588	Ball Bearing
RD 9931	Click Spring	RD18729	Screw	RD20593	Rear Shield
RD 9968	O Ring	RD18730	Bail Hold Support Guard	RD20612	Spool Assembly
RD12494	O Ring	RD18731	Bail Hold Support Guard B	RD20613	Side Cover Assembly
RD13241	Ball Bearing	RD18732	Rotor Ring	RD20615	Pinion Gear
RD13269	Ball Bearing	RD18733	Friction Ring	RD20635	Drag Knob Assembly
RD13274	Ball Bearing	RD18735	Roller Clutch Assembly	RD20636	Screw
RD13381	Ball Bearing	RD18736	Roller Clutch Case Seal	RD20637	Screw
RD14259	Washer	RD18737	Roller Clutch Inner	RD20642	Bail Arm
RD14780	Screw	RD18738	Bearing Retainer	RD20644	Ball Bearing
RD14867	Spool Support A	RD18739	Washer	RD20647	Washer
RD15488	Key Washer A	RD18744	Idle Gear	RD20650	Handle Shank Assembly
RD15489	Drag Click Spring	RD18746	Bail Trip Strike	RD20653	Handle Assembly
RD15718	Screw	RD18747	Flange Water Proof		
RD15862	Eared Washer	RD18755	Oscillating Slider Bushing		
RD16423	Drag Washer B	RD18758	Washer		
RD16426	Screw	RD18759	Worm Shaft		
RD16456	Idle Gear Shaft	RD18761	Idle Gear (Small)		
RD16465	Handle Shaft Seal	RD18762	Washer		
RD16470	Oscillating Pawl Cover	RD18784	Idle Gear (Large)		
RD16473	Oscillating Pawl	RD19090	Screw		
RD16931	Retainer	RD19121	Rear Protector		
RD17415	Click Pin	RD19140	Screw		
RD17467	Bail Spring	RD19143	Screw		
RD17468	Bail Spring Guide B	RD19168	Drive Gear		
RD17493	Handle Knob	RD19195	Washer		
RD17494	Handle Knob Seal	RD19224	Washer		
RD17522	Bushing	RD19744	Washer		
RD17562	Worm Shaft Retainer	RD19745	Washer		
RD17681	Line Roller Support	RD19746	Washer		
RD18160	Collar	RD19748	Washer		
RD18161	Line Roller Set	RD19793	Bearing Water Proof		
RD18207	Drag Click Ratchet	RD19803	Handle Screw Cap		
RD18465	Screw	RD19804	Oscillating Guide A		
RD18710	Key Washer B	RD19805	Main Shaft Collar		
RD18711	Drag Click Screw	RD19895	Handle Shaft Cover		