

# RIVA STORAGE

## C-KING SIZE

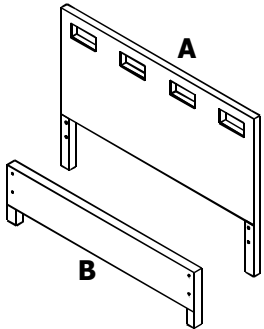
### ASSEMBLY INSTRUCTIONS



#### PARTS AND FITTING PACKAGING DETAIL

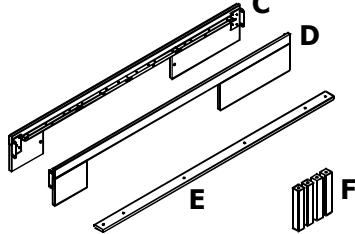
##### BOX #1

- A. HEADBOARD 1 PC
- B. FOOTBOARD 1 PC



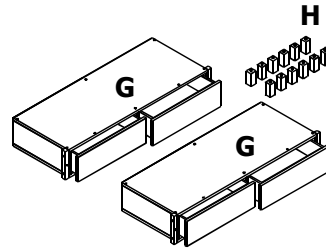
##### BOX #2

- C. LEFT SIDERAIL 1 PC
- D. RIGHT SIDERAIL 1 PC
- E. CENTER SLAT 1 PC
- F. LEG SUPPORTS 4 PCS
- HARDWARE BOX\*



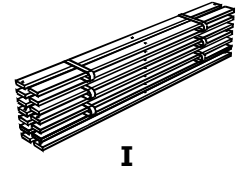
##### BOX #3

- G. STORAGES 2 PCS
- H. STORAGE FEETS 12 PCS

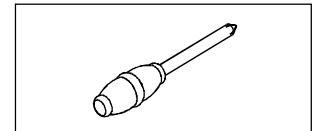


##### BOX #4

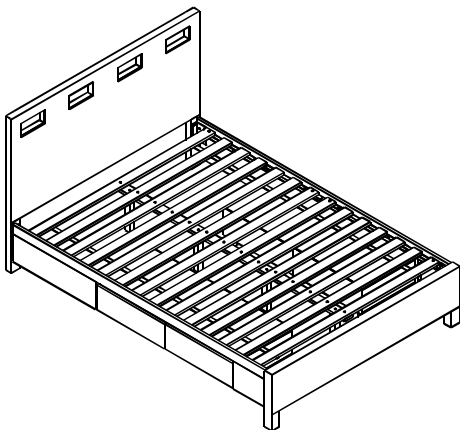
- I. BED SLATS 14 PCS



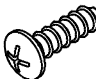

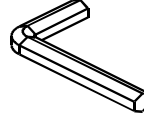
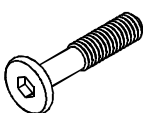

**TOOL REQUIRED :**  
PHILLIPS HEAD SCREW  
DRIVER (NOT PROVIDED)



#### RIVA STORAGE ASSEMBLED



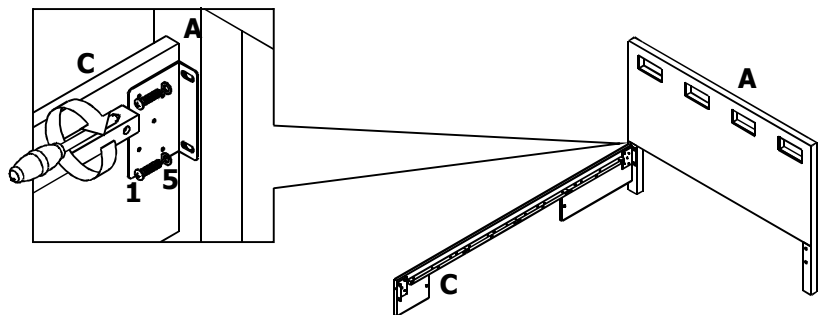
#### HARDWARE\* PACKED IN BOX #2

1	PHILLIPS HEAD BOLTS 20MM	8 PCS	2	WOOD SCREWS Ø8X30MM	8 PCS	3	ALLEN KEY	1 PC
								
4	ALLEN BOLTS 40MM	18 PCS	5	WASHERS 8MM	8 PCS	<b>YOUR BOX MAY CONTAIN EXTRA HARDWARE</b>		
								

#### STEP 1 :

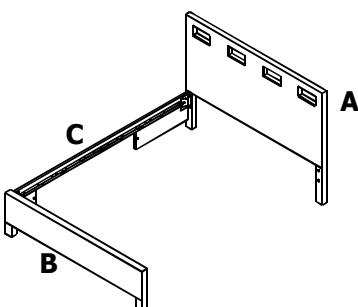
FIX LEFT SIDERAIL (C) TO THE HEADBOARD (A) USING PHILLIPS HEAD BOLTS (1) AND WASHERS (5).

DO NOT TIGHTEN BOLTS COMPLETELY UNTIL ASSEMBLY IS COMPLETED



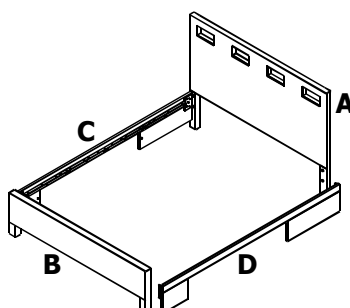
#### STEP 2 :

FIX THE OTHER END OF LEFT SIDERAIL (C) TO THE FOOTBOARD (B).



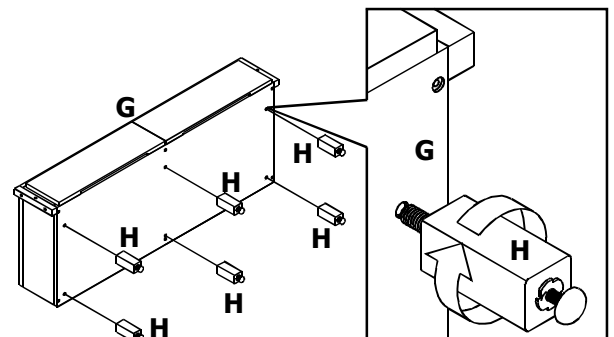
#### STEP 3 :

FIX RIGHT SIDERAIL (D) TO THE HEADBOARD (A) AND FOOTBOARD (B).



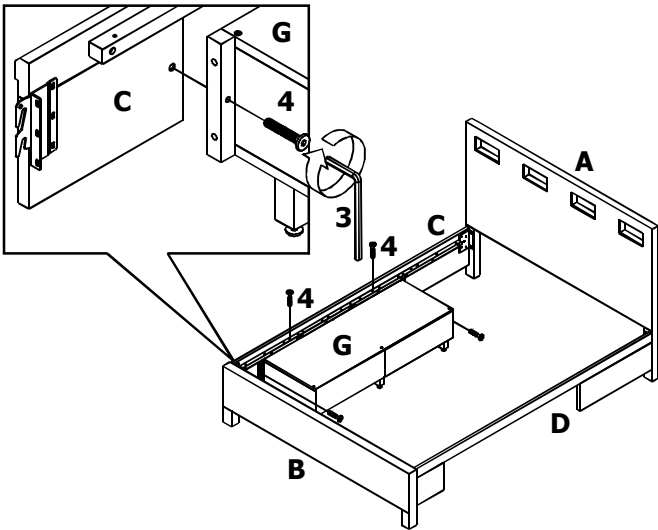
#### STEP 4 :

REMOVE PLASTIC COVER FROM STORAGE FEETS (H) BOLT. FOLLOW THE ILLUSTRATION TO FIX STORAGE FEETS (H) TO STORAGE (G).



### STEP 5 :

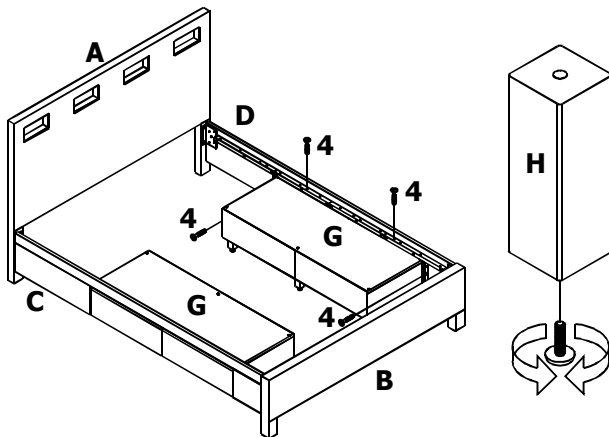
FOLLOW THE ILLUSTRATION TO FIX STORAGE (G) TO LEFT SIDERAIL (C) USING ALLEN BOLTS (4). USE ALLEN KEY (3) TO TIGHTEN THE BOLTS.



### STEP 6 :

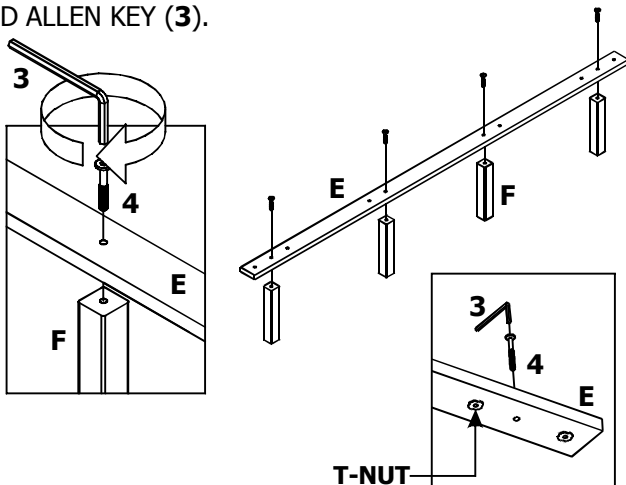
FIX STORAGE (G) TO RIGHT SIDERAIL (D) USING ALLEN BOLTS (4).

TURN LEVELER UNDERNEATH STORAGE FEET (H) TO ADJUST THE STORAGE (G) LEVEL AS SHOWN ON ILLUSTRATION.



### STEP 7 :

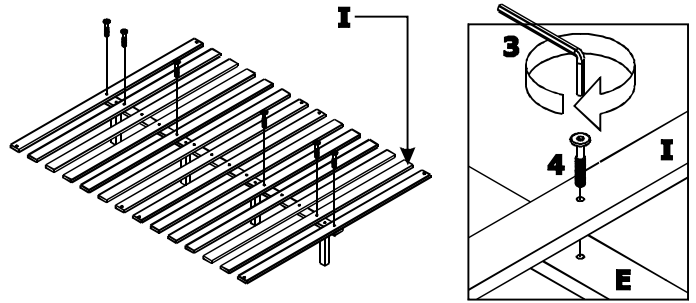
ARRANGE CENTER SLAT (E) SO THAT T-NUTS ARE FACING THE FLOOR. SLIDE ALLEN BOLTS (4) FROM TOP OF CENTER SLAT (E) INTO THE 2ND, 5TH, 6TH, AND 9TH PREDRILLED HOLES. FIX CENTER LEGS (F) TO CENTER SLAT (E) USING ALLEN BOLTS (4) AND ALLEN KEY (3).



T-NUT

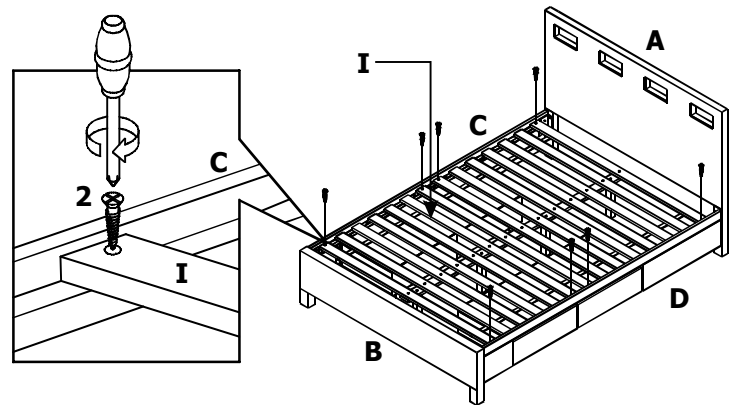
### STEP 8 :

FOLLOW THE ILLUSTRATION TO SPREAD OUT ALL THE BED SLATS (I). SLIDE CENTER SLAT (E) UNDER BED SLATS (I). SLIDE ALLEN BOLTS (4) FROM TOP OF BED SLATS (I) THROUGH PRE-DRILLED HOLES ON 1ST, 2ND, 5TH, 10TH, 13TH AND 14TH BED SLATS. TIGHTEN ALLEN BOLTS (4) WITH ALLEN KEY (3) TO SECURE BED SLATS (I) TO CENTER SLAT (E).



### STEP 9 :

FOLLOW THE ILLUSTRATION TO PLACE THE BED SLATS (I) ON THE BED FRAME. SPREAD BED SLATS (I) ON BED FRAME. FIX 1ST, 7TH, 8TH, AND 14TH BED SLATS TO BED FRAME USING WOOD SCREWS (2). USE PILOT HOLES ON SIDERAILS (C,D) AS REFERENCE FOR CORRECT PLACEMENT.

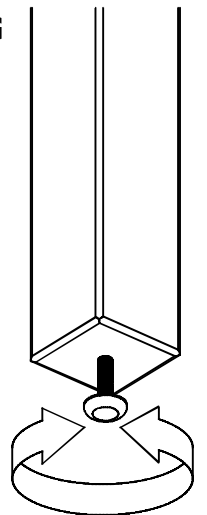


### INSTRUCTIONS FOR ADJUSTING LEVELERS:

POSITION THE BED IN YOUR ROOM LOCATE LEVELERS UNDER EACH CENTER LEG (E).

TURN COUNTER-CLOCKWISE TO EXTEND, CLOCKWISE TO CONTRACT.

ADJUST LEVELERS UNTIL EACH LEG IS APPLYING EQUAL UPWARD PRESSURE ON THE CENTER SLAT.



### MAINTENANCE INSTRUCTIONS:

- REMOVE BOX SPRING AND MATTRESS BEFORE MOVING YOUR BED.
- LIFT YOUR BED WHEN MOVING IT. DRAGGING CAN DAMAGE CENTER SUPPORT.
- READJUST LEVELERS AFTER MOVING YOUR BED.