

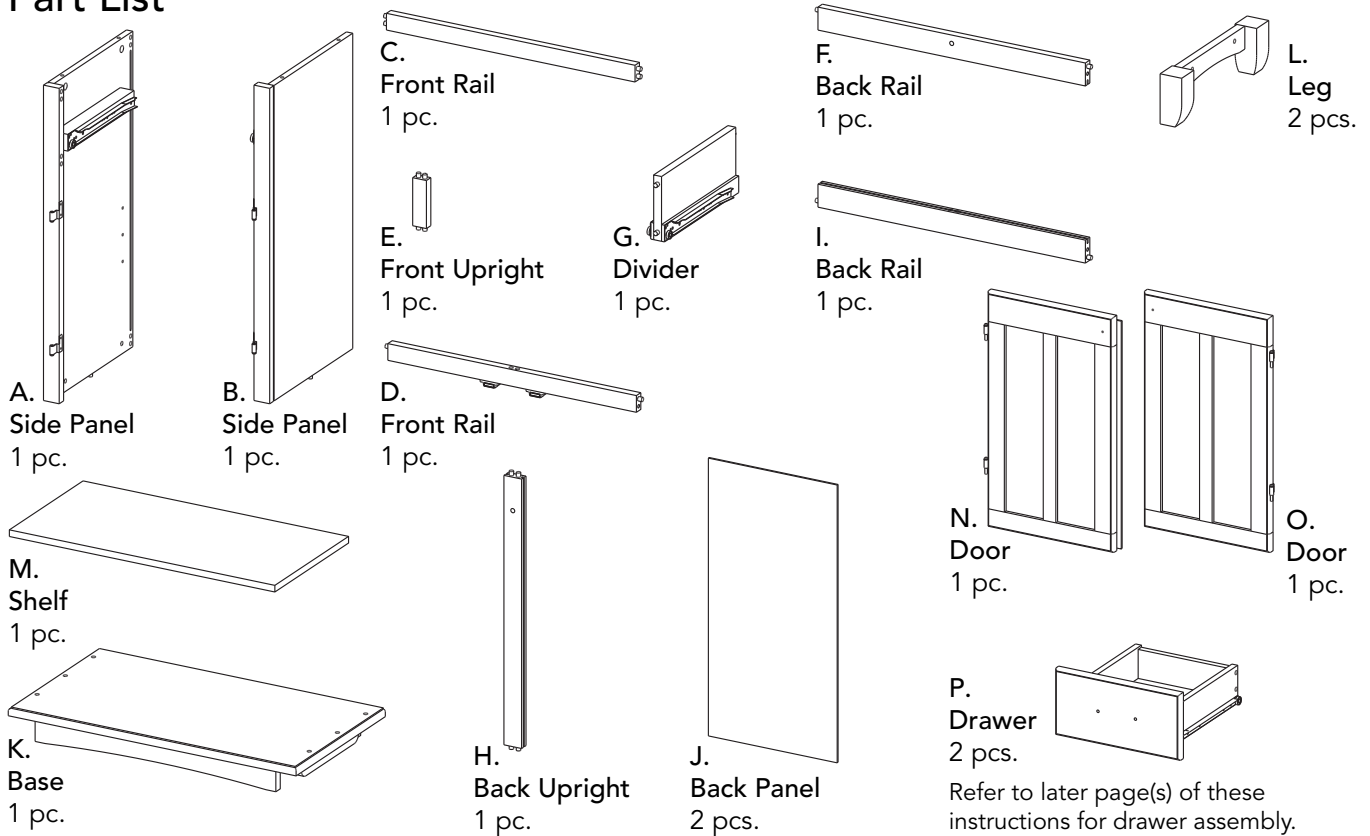
**IMPORTANT**

Carefully remove all the parts from the carton and place them individually on a soft cloth to prevent scratches or other damage.

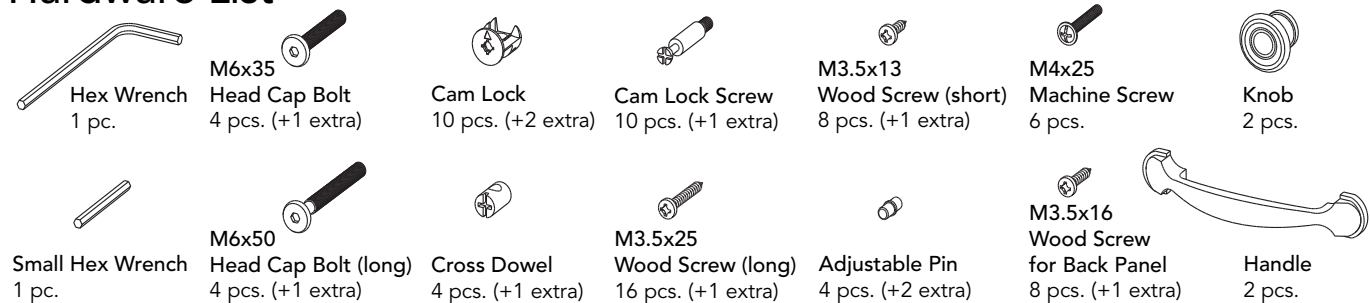
Carefully and strictly follow these assembly instructions to ensure a completed product as designed.

Do not use power tools above 8 volts to assemble.

**Part List**



**Hardware List**



**5001 Top carton is also needed for assembly.**

Tool(s) required for assembly: Phillips screwdriver, Level, Drill (8 volts or less), 3/8" Drill Bit

## Assembly Instructions 2/8

### IMPORTANT

- Use a soft cloth between these parts and the floor.
- Do not use power tools above 8 volts to assemble.
- Do not tighten all the bolts until each part is properly assembled.
- The unit must be level to work properly. Use the included adjustable levelers to level.
- Keep Hex Wrench as the bolts may need to be tightened in the future.

### STEP 1

Insert Cam Lock Screws into pre-drilled holes in Side Panels (A) and (B), then tighten. (See Figure 1)

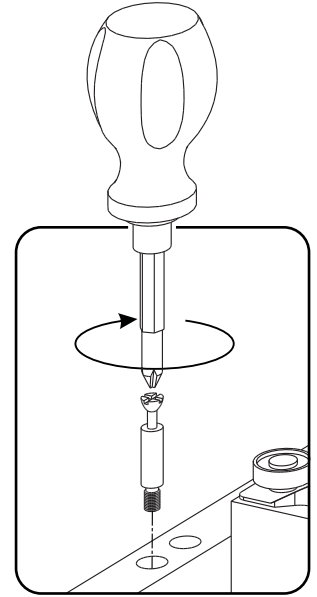
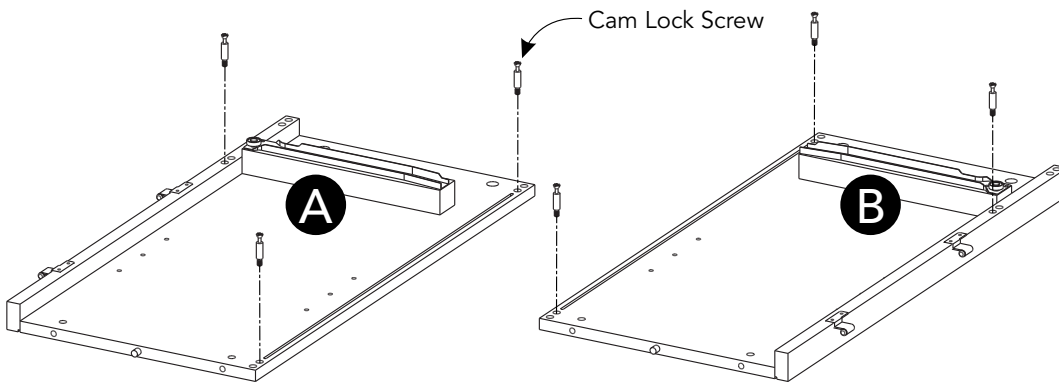


Figure 1

### STEP 2

Attach Back Rail (F) to Side Panel (A) with Cam Lock. (See Figure 2)

Attach Back Upright (H) to Back Rail (F).

Slide Back Panels (J) into position.

Attach Back Rail (I) to unit with Cam Lock.

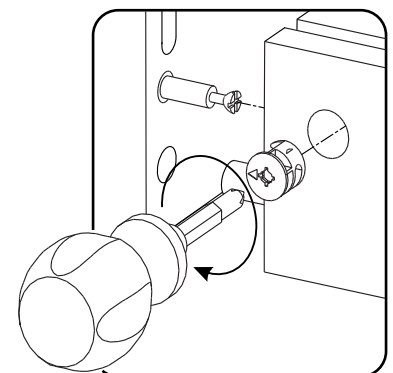
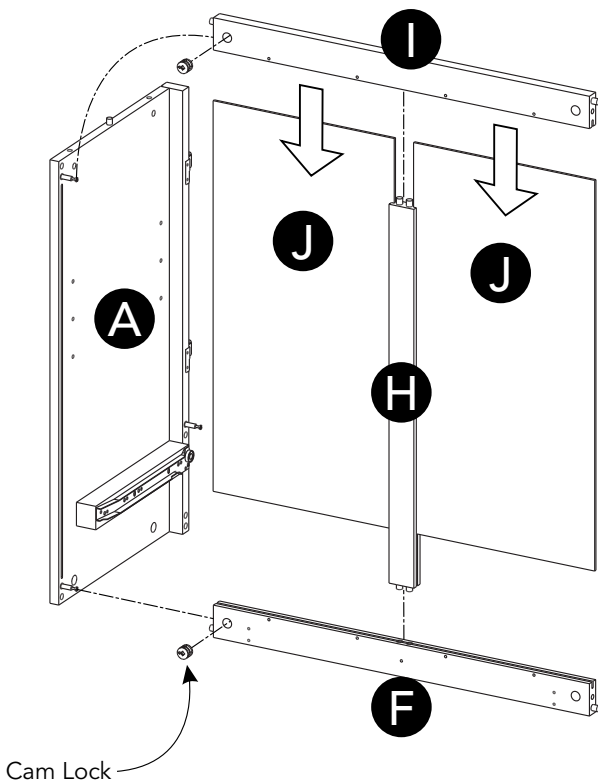
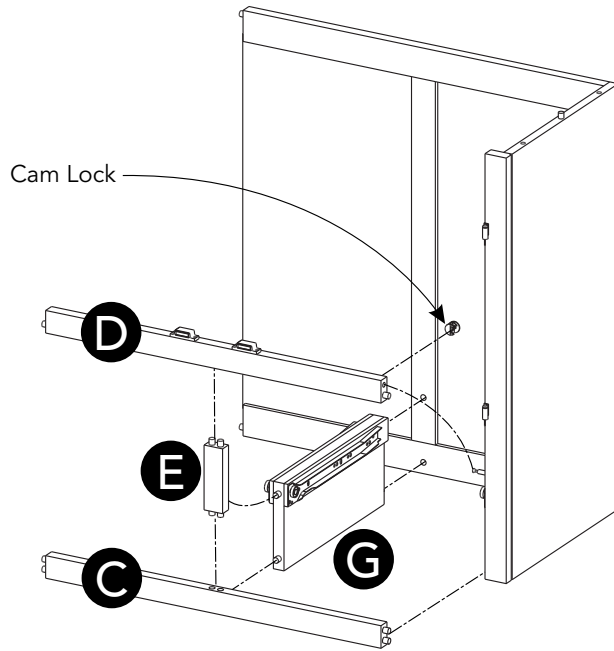


Figure 2

## Assembly Instructions 3/8



### STEP 3

Attach Divider (G) to unit.

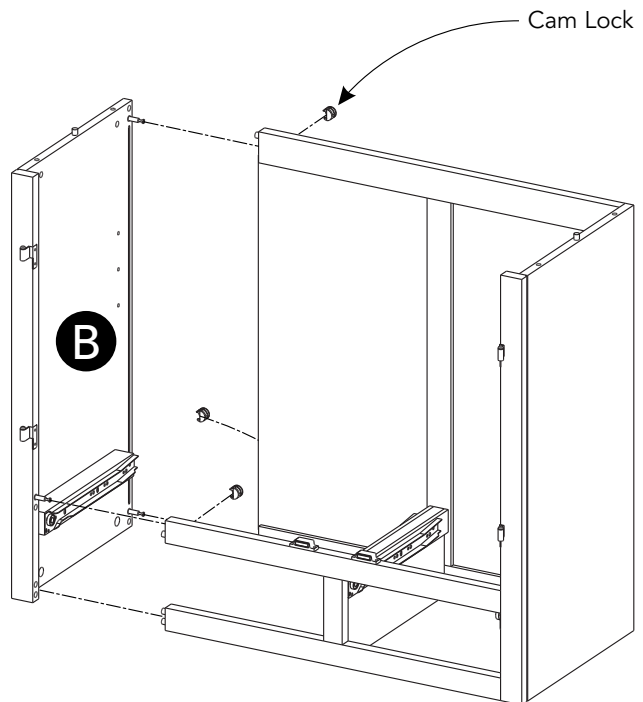
Attach Front Rail (C) to unit.

Attach Front Upright (E) to unit.

Attach Front Rail (D) to unit  
with Cam Lock.

### STEP 4

Attach Side Panel (B) to unit  
with Cam Locks.

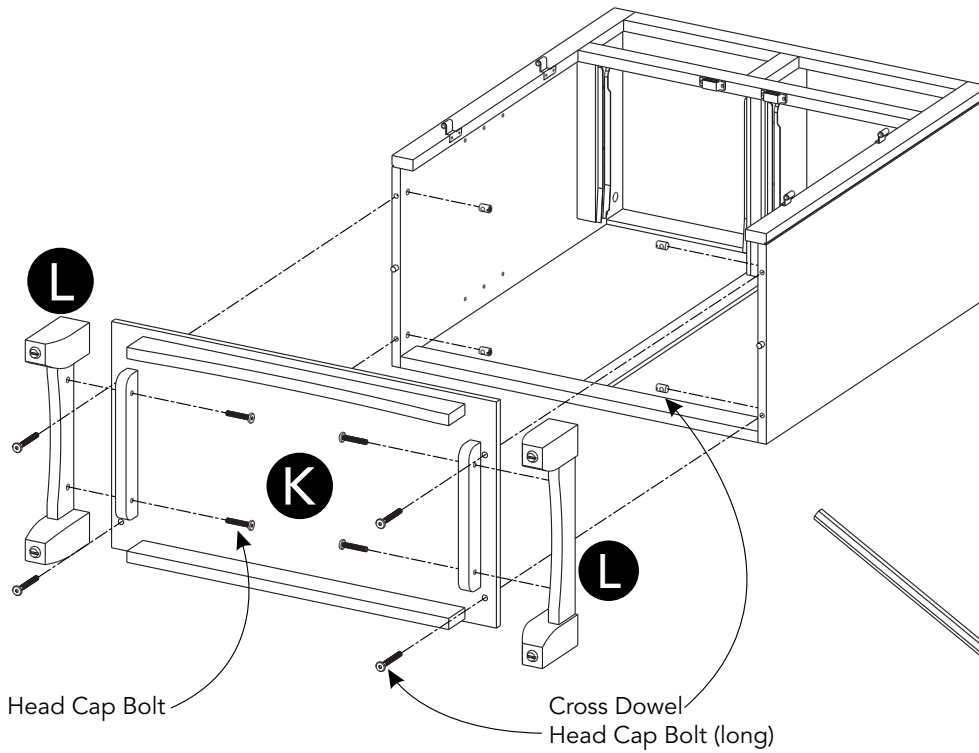


# Assembly Instructions 4/8

## STEP 5

Attach Base (K) to unit with Cross Dowels and Head Cap Bolts (long).  
(See Figure 3)

Attach Legs (L) to Base (K) with Head Cap Bolts.



Head Cap Bolt

Cross Dowel  
Head Cap Bolt (long)

Figure 3

## STEP 6

Turn unit to its upright position.

Insert Adjustable Pins into side panels at desired level.

Place Shelf (M) into position.

Attach Doors (N) and (O) to unit by sliding door hinges into side panel hinges.  
(See Figure 4)

Attach Knobs to Doors (N) and (O) with Machine Screws. (See Figure 5)

Adjustable Pin

Knob  
Machine Screw

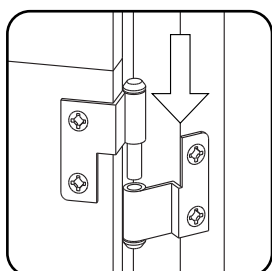
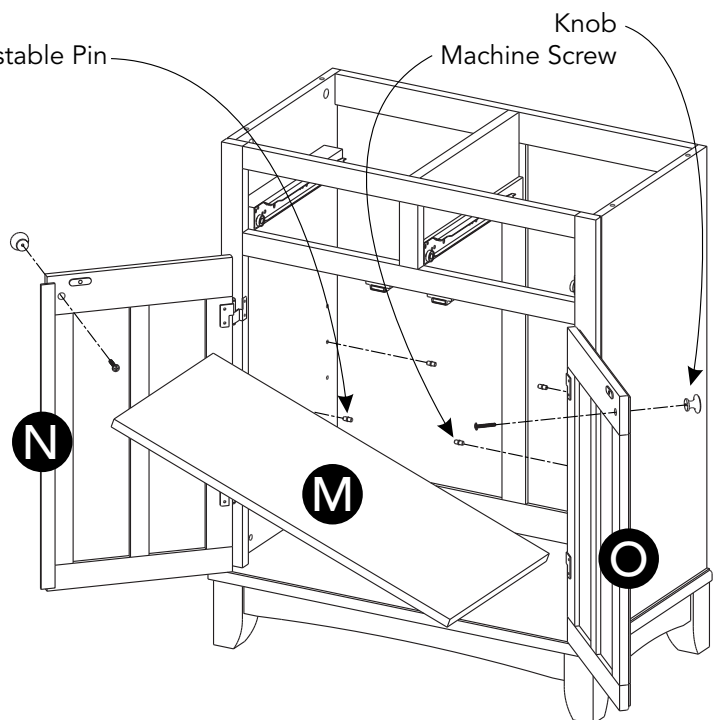


Figure 4

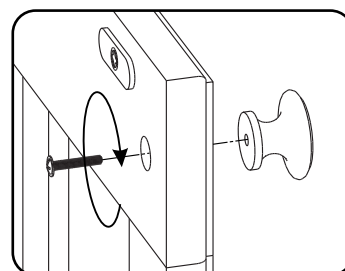
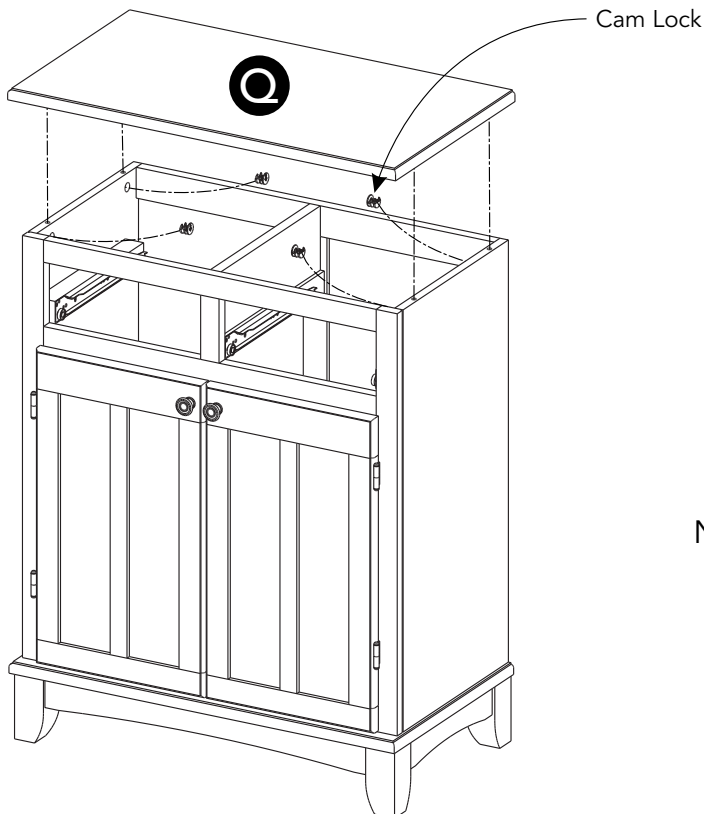
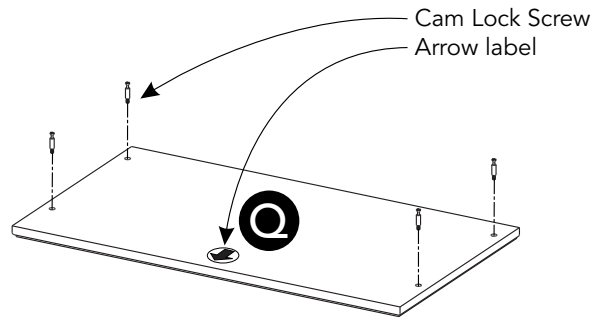


Figure 5

## STEP 7

Place Top (Q) upside down on a soft cloth.

Insert Cam Lock Screws into pre-drilled holes in Top (Q), then tighten.



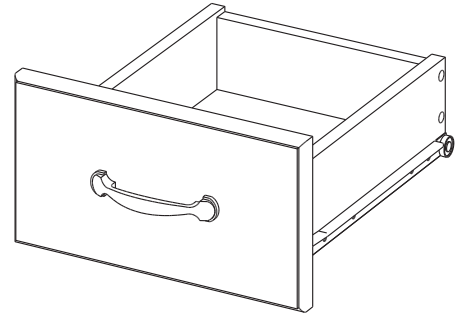
## STEP 8

Attach Top (Q) to unit with Cam Locks.

Note: Arrow label indicates front of Top (Q).

# Assembly Instructions 6/8

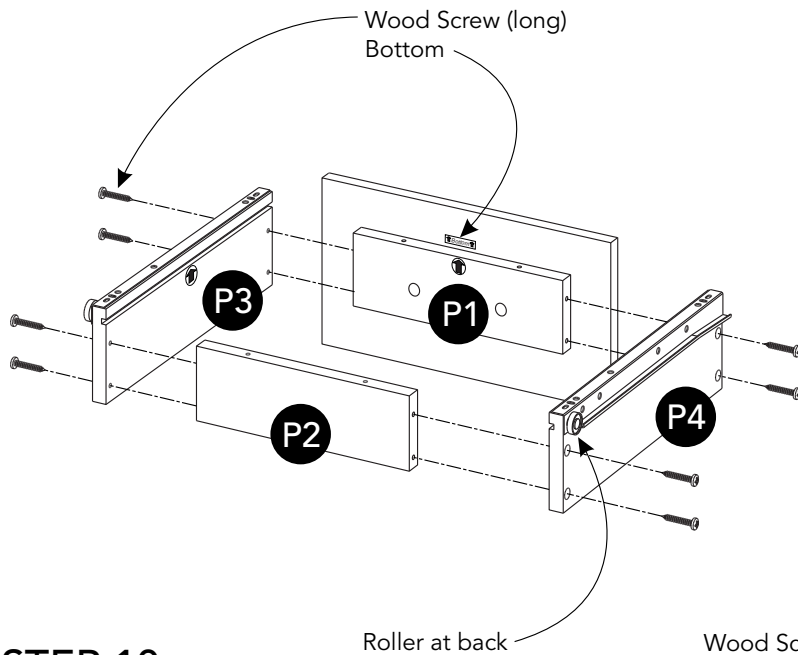
## Drawer (P)



### STEP 9

Attach Drawer Front (P1) and Drawer Back (P2) to Drawer Side (P3) with Wood Screws (long).

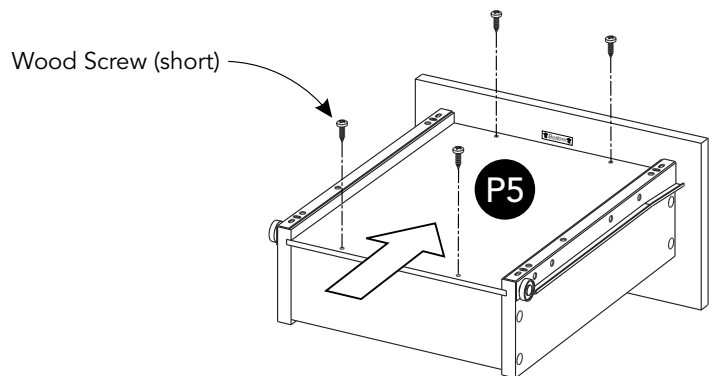
Attach Drawer Side (P4) to unit with Wood Screws (long).



### STEP 10

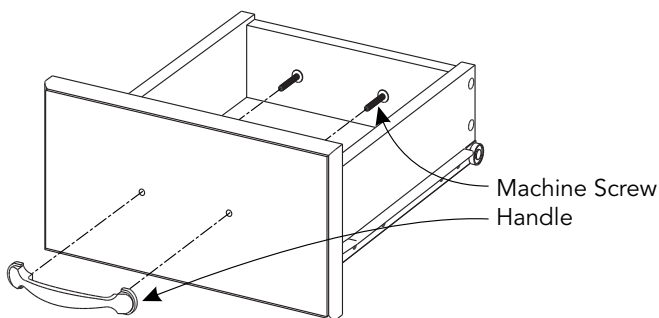
Slide Drawer Bottom (P5) into groove.

Attach Drawer Bottom (P5) to unit with Wood Screws (short).

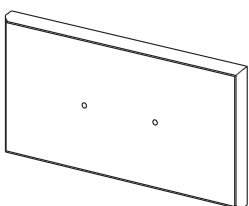


### STEP 11

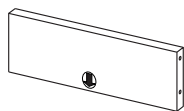
Attach Handle with Machine Screws.



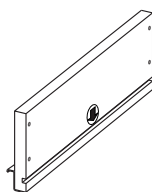
## Part List



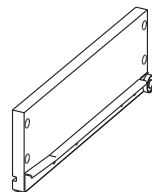
P1.  
Drawer Front  
2 pcs.



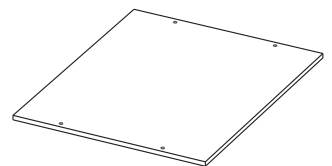
P2.  
Drawer Back  
2 pcs.



P3.  
Drawer Side  
2 pcs.

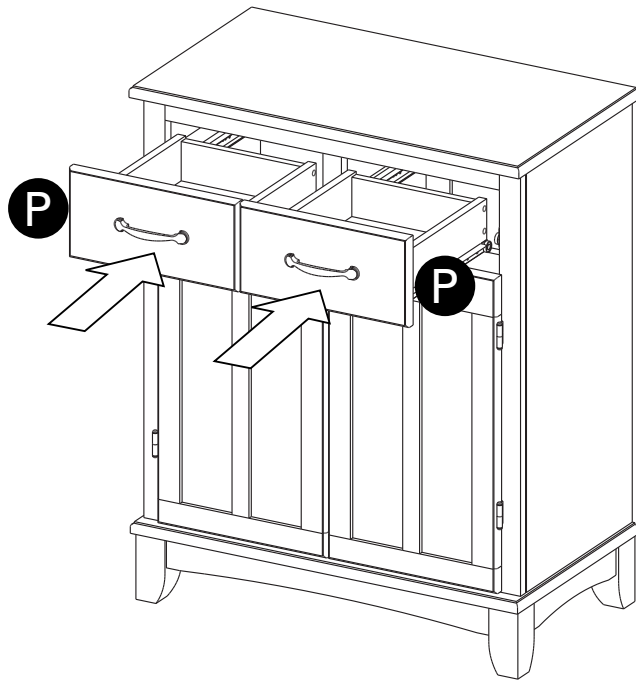


P4.  
Drawer Side  
2 pcs.



P5.  
Drawer Bottom  
2 pcs.

## Assembly Instructions 7/8



### STEP 12

Slide Drawers (P) into position.

### STEP 13

Level unit by adjusting the adjustable levelers on bottom of unit.  
(See Figure 6)

Note: Unit must be level to proceed.

Insert Wood Screws for Back Panel into pre-drilled holes in unit, then tighten.

Note: Unit must be level before tightening these screws.

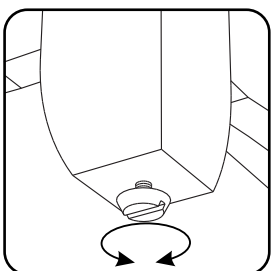
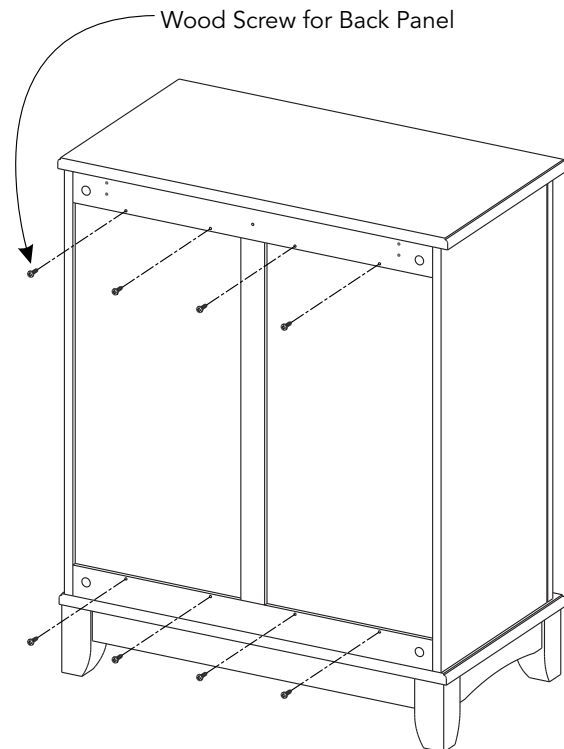


Figure 6

# Assembly Instructions 8/8

## IMPORTANT

- To help reduce the risk of the unit tipping over, the Tipover Restraint must be installed following these instructions exactly.

## STEP 14

Place unit at desired location.

Drill a 3/8" hole in wall in-line with Pre-drilled hole at top of unit.

Move unit.

Insert Anchor into the wall hole and attach Bracket with Wall Screw.

Attach Bracket at pre-drilled hole at top of unit with Wood Screw.

Move unit back into place.

Slide Tipover Restraint through Bracket on wall and Bracket on unit.  
(See Figure 7)

Put tie end of Tipover Restraint into lock end of Tipover Restraint and pull until tight.

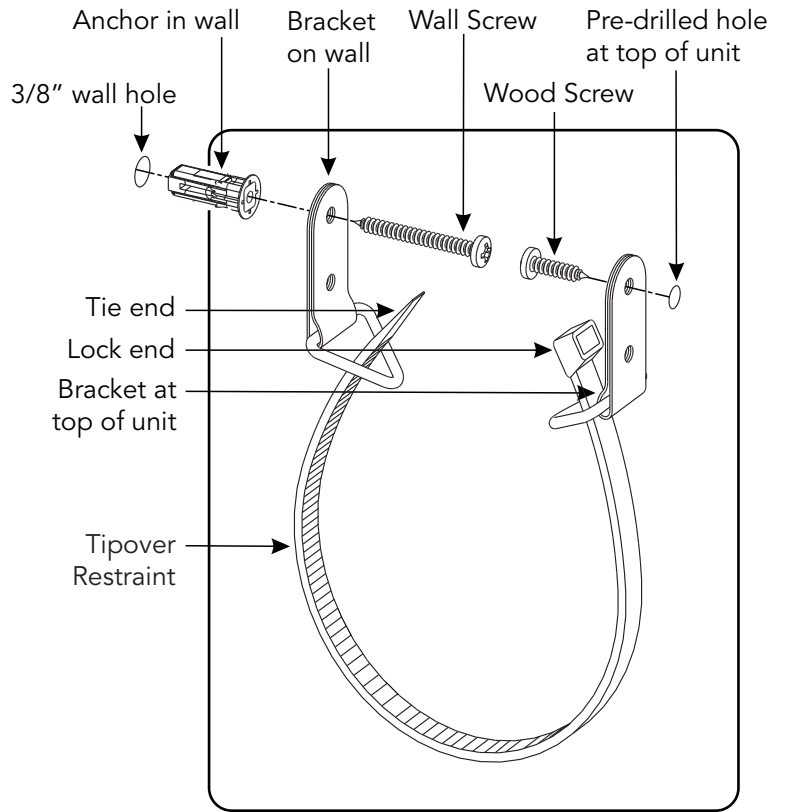
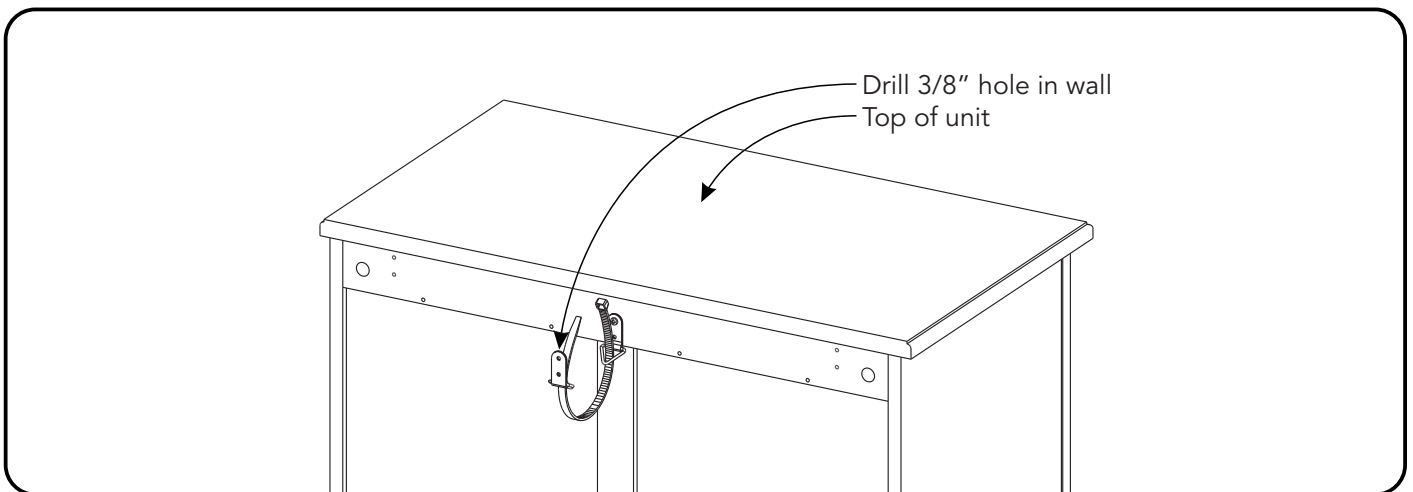


Figure 7



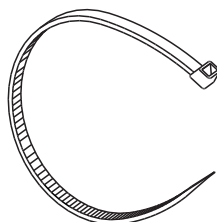
## Hardware List



Anchor  
1 pc. (+1 extra)



Bracket  
2 pcs. (+1 extra)



Tipover Restraint  
1 pc. (+1 extra)



M3.5x40  
Wall Screw  
1 pc. (+1 extra)



M3.5x16  
Wood Screw  
1 pc. (+1 extra)



# CARE INSTRUCTIONS

## NEVER

allow liquids to remain on furniture.  
Absorption causes parts to warp  
and split and finishes to delaminate.

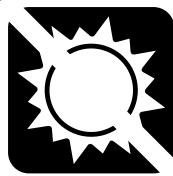
## NEVER

use glass cleaners on  
finished furniture. Ammonia  
chemically attacks the finish.



Do not use power tools  
above 8 volts to assemble.

**PREVENT  
CRACKING**



Do not place  
in direct sunlight.

**PREVENT  
FADING**



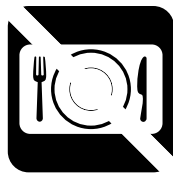
Do not write  
directly on surface.

**PREVENT  
MARKING**



Do not place hot  
objects on surface.

**PREVENT  
FINISH DAMAGE**



Do not use rubber  
based placemats.

**PREVENT  
DISCOLORING**



Do not use commercial  
waxes and polishes.

**PREVENT  
YELLOWING**

## CLEAN

with a soft cloth moistened  
in lukewarm soap and water.  
Buff with a dry clean cloth.



**homestyles** will provide replacements free of charge for missing or damaged parts within 30 days of purchase. Digital images of the defective parts may be required. If the product was not purchased from an authorized retailer, **homestyles** is under no obligation to provide replacement parts. Parts are not available for fully assembled items nor are parts available for sale. Replacements for missing or damaged parts may be requested via contact info below.

**homestyles** Customer Service: [www.homestylesfurniture.com](http://www.homestylesfurniture.com),  
[servicedesk@homestylesfurniture.com](mailto:servicedesk@homestylesfurniture.com), 888-680-7460

**homestyles**<sup>®</sup>

5001-106

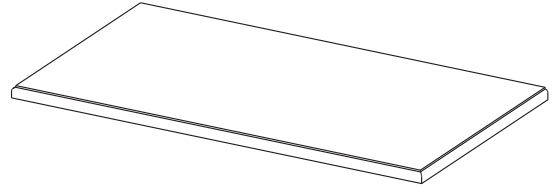
## Solid Wood Top

### IMPORTANT

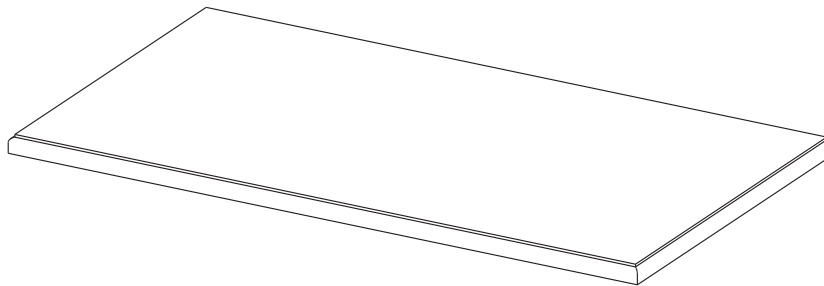
Carefully remove all the parts from the carton and place them individually on a soft cloth to prevent scratches or other damage.

Carefully and strictly follow these assembly instructions to ensure a completed product as designed.

Do not use power tools above 8 volts to assemble.



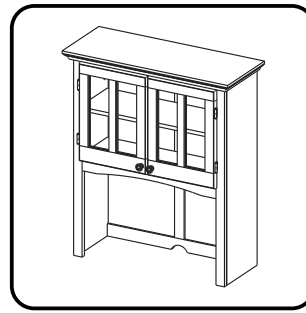
### Part List



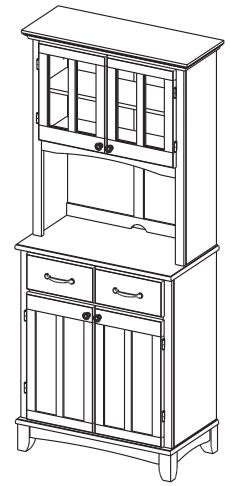
Q.  
Top  
1 pc.

For assembly see instructions in 5001 Buffet carton.

**homestyles** Customer Service: [www.homestylesfurniture.com](http://www.homestylesfurniture.com),  
[servicedesk@homestylesfurniture.com](mailto:servicedesk@homestylesfurniture.com), 888-680-7460



Hutch



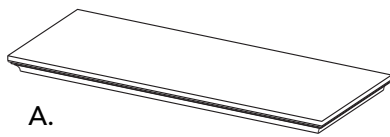
**IMPORTANT**

Carefully remove all the parts from the carton and place them individually on a soft cloth to prevent scratches or other damage.

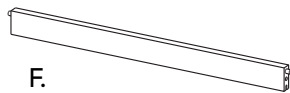
Carefully and strictly follow these assembly instructions to ensure a completed product as designed.

Do not use power tools above 8 volts to assemble.

**Part List**



A.  
Top  
1 pc.



F.  
Back Rail  
1 pc.



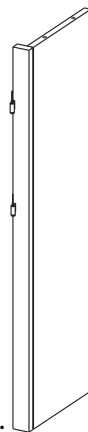
G.  
Back Rail  
1 pc.



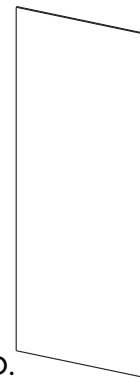
I.  
Fixed Shelf  
1 pc.



B.  
Side Panel  
1 pc.



C.  
Side Panel  
1 pc.



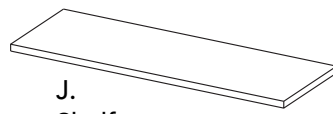
D.  
Back Panel  
2 pcs.



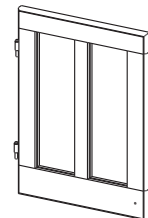
E.  
Back Upright  
1 pc.



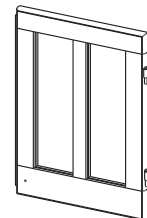
H.  
Front Rail  
1 pc.



J.  
Shelf  
1 pc.



K.  
Door  
1 pc.



L.  
Door  
1 pc.

**Hardware List**



Cam Lock Screw  
14 pcs. (+1 extra)



Cam Lock  
14 pcs. (+2 extra)



M3.5x16  
Wood Screw for Back Panel  
8 pcs. (+1 extra)



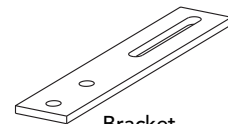
Adjustable Pin  
4 pcs. (+1 extra)



Knob  
2 pcs.



M4x25  
Machine Screw  
2 pcs.



Bracket  
2 pcs.



M4x13  
Wood Screw for Bracket  
8 pcs. (+1 extra)

Tool(s) required for assembly: Phillips screwdriver, Level, Drill (8 volts or less), 3/8" Drill Bit

## Assembly Instructions 2/6

### IMPORTANT

- Use a soft cloth between these parts and the floor.
- Do not use power tools above 8 volts to assemble.
- Do not tighten all the screws until each part is properly assembled.

### STEP 1

Insert Cam Lock Screws into pre-drilled holes in Top (A) and Side Panels (B), (C), then tighten. (See Figure 1)

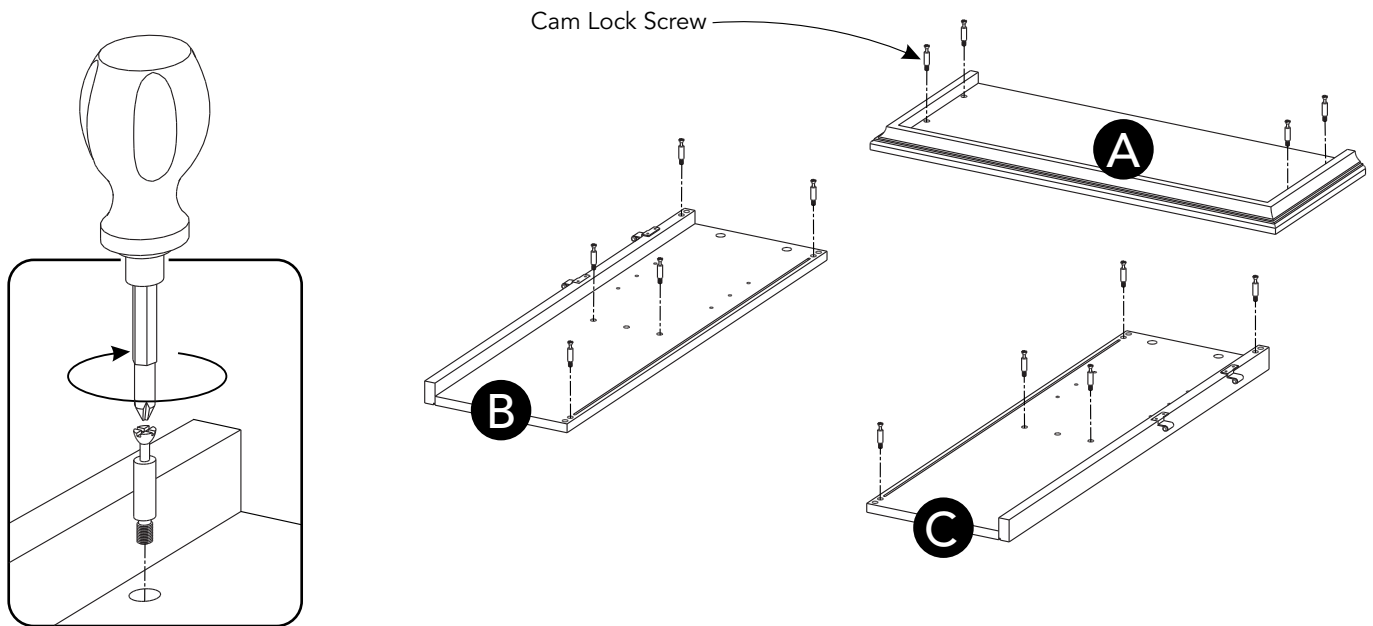


Figure 1

### STEP 2

Attach Back Rail (F) to Side Panel (B) with Cam Lock. (See Figure 2)

Attach Back Upright (E) to Back Rail (F).

Slide Back Panels (D) into position.

Attach Back Rail (G) to unit with Cam Lock.

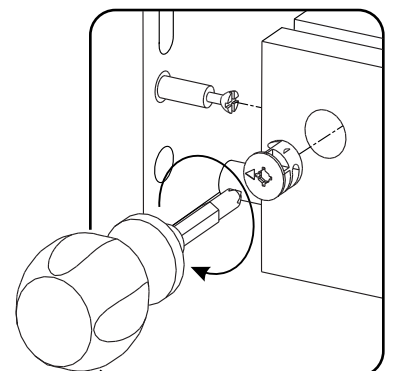
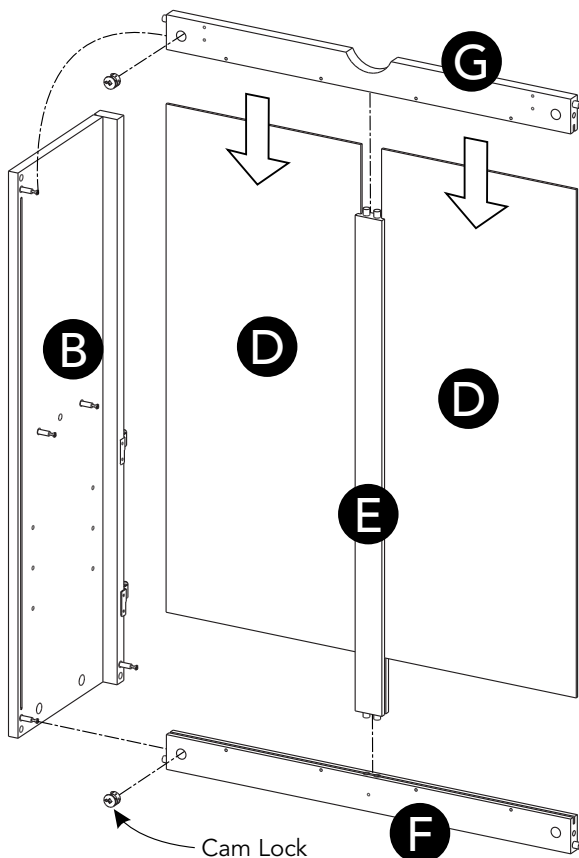
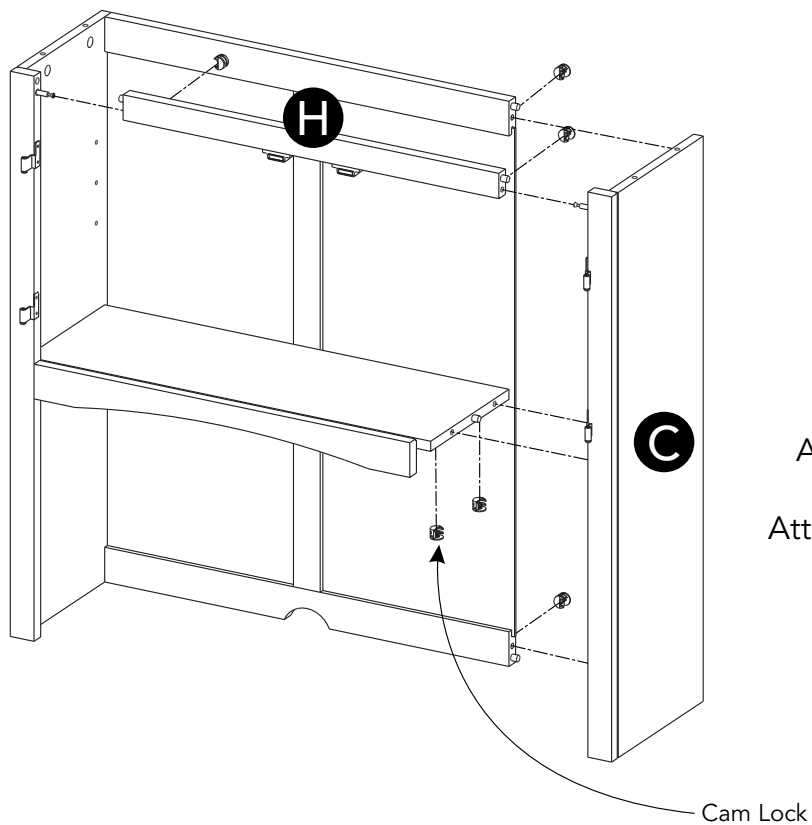
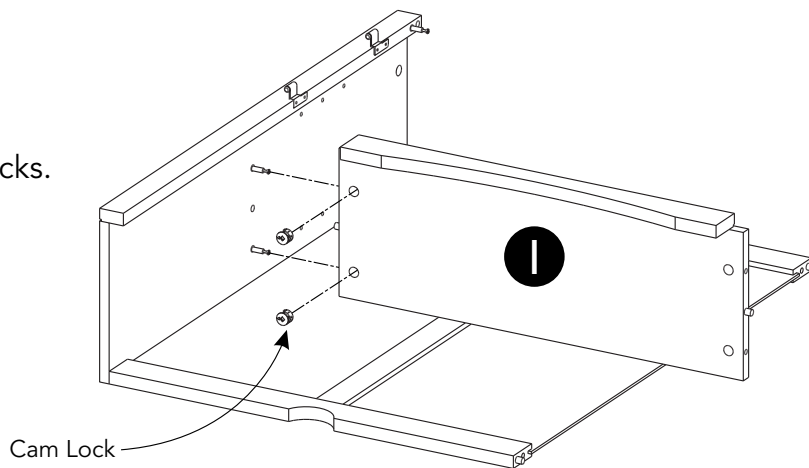


Figure 2

### STEP 3

Attach Fixed Shelf (I) to unit with Cam Locks.



### STEP 4

Attach Front Rail (H) to unit with Cam Lock.

Attach Side Panel (C) to unit with Cam Locks.

# Assembly Instructions 4/6

## STEP 5

Insert Adjustable Pins into side panels at desired level.

Place Shelf (J) into position.

Attach Doors (K) and (L) to unit by sliding door hinges into side panel hinges.  
(See Figure 3)

Attach Knobs to Doors (K) and (L) with Machine Screws.  
(See Figure 4)

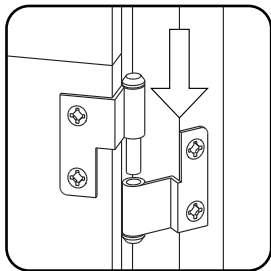
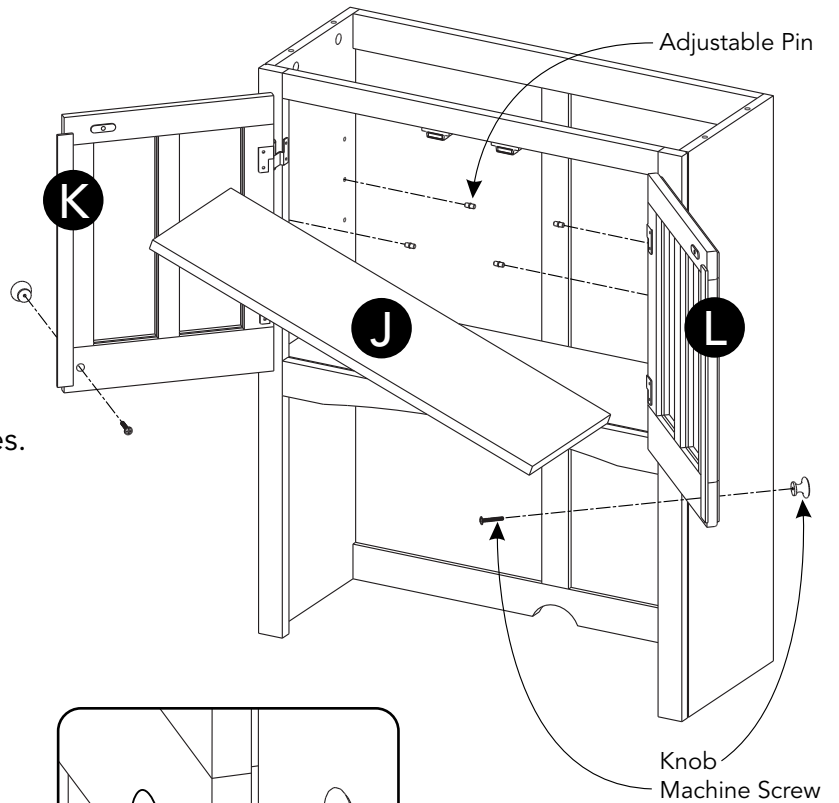


Figure 3

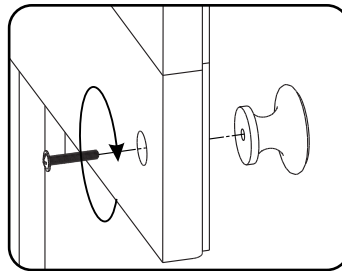
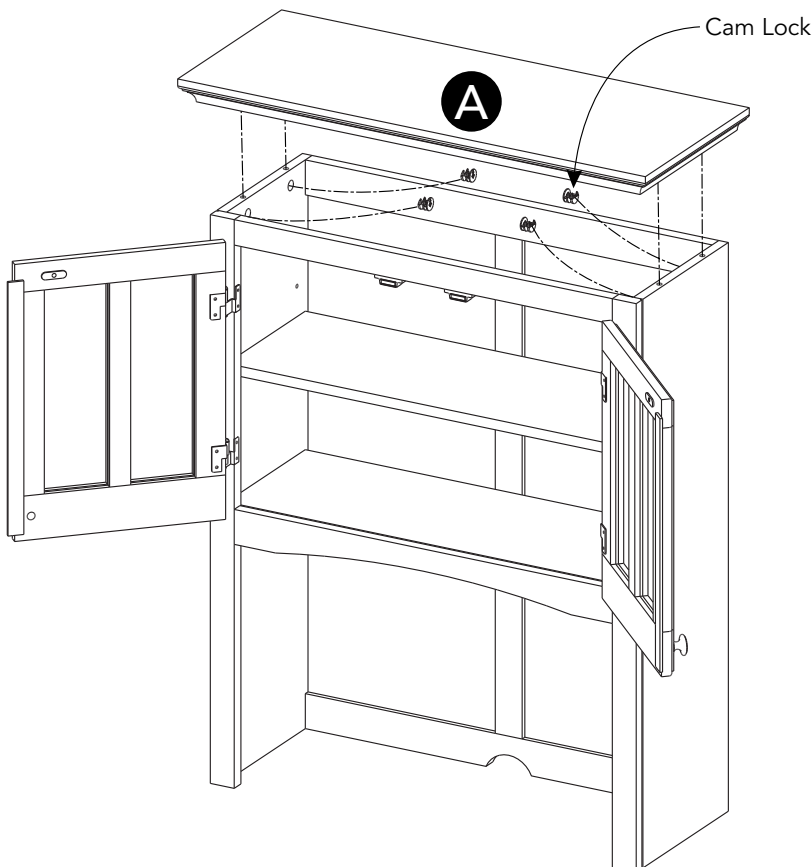


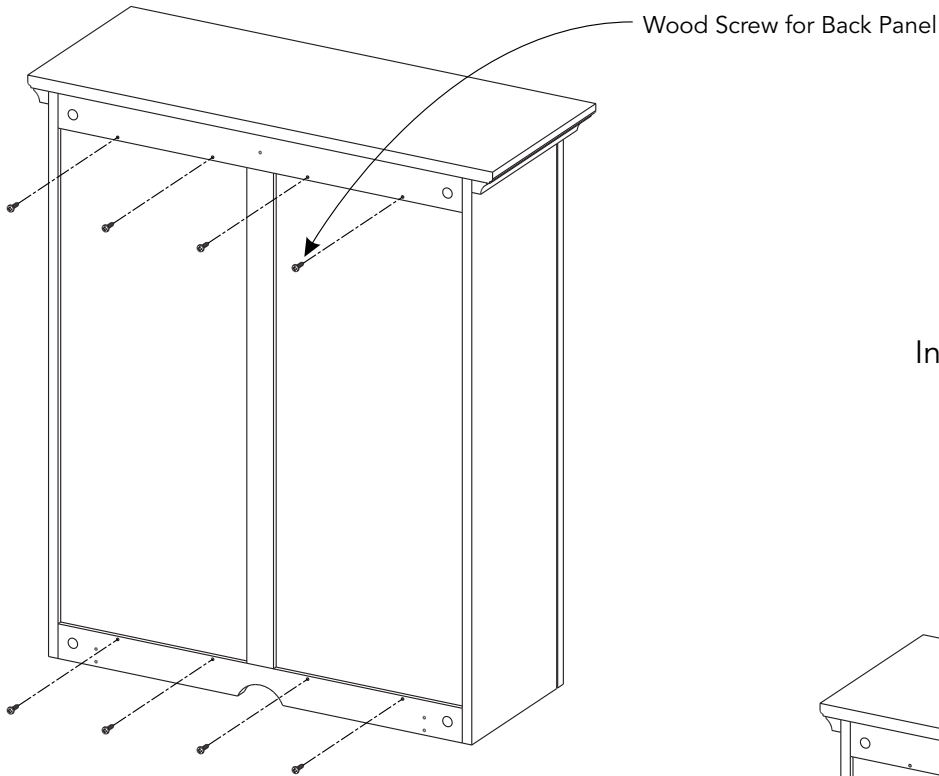
Figure 4



## STEP 6

Attach Top (A) to unit with Cam Locks.

# Assembly Instructions 5/6



## STEP 7

Insert Wood Screws for Back Panel into pre-drilled holes in unit.

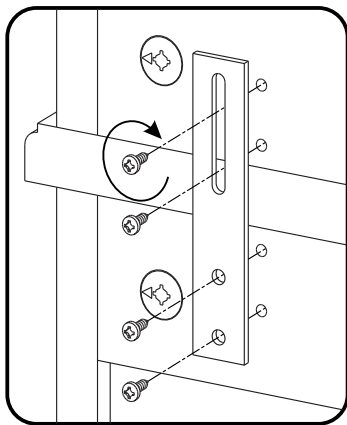
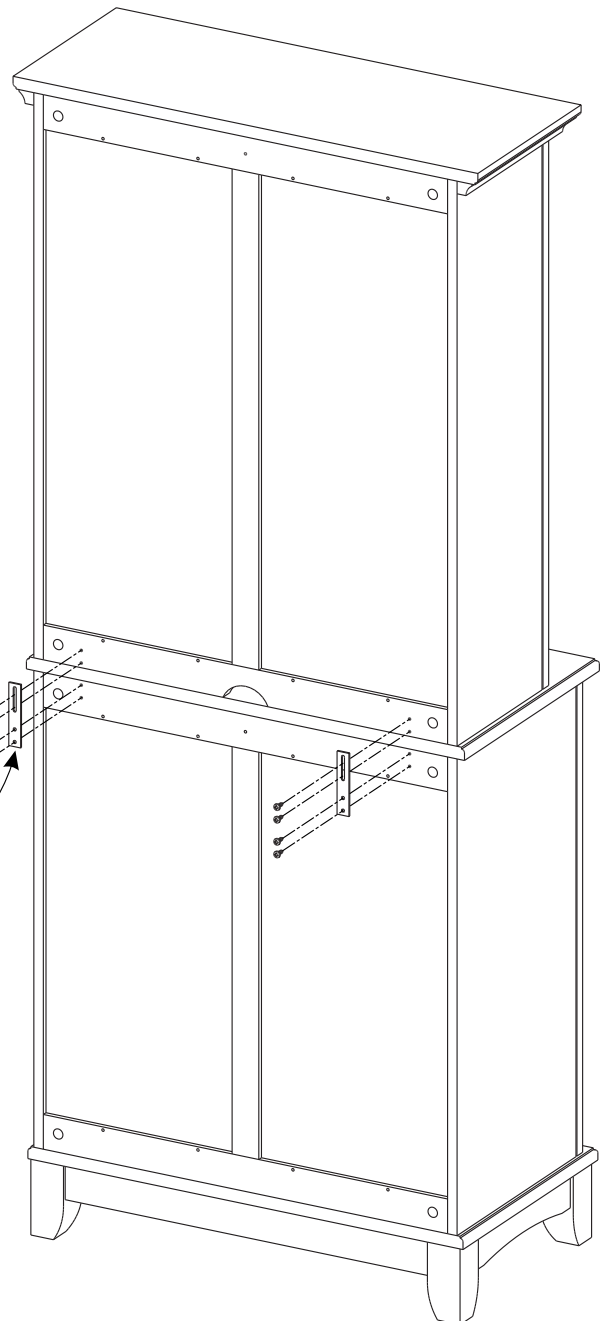


Figure 5

Wood Screw for Bracket  
Bracket

## STEP 8

Attach Hutch to Buffet with Brackets by inserting Wood Screws for Bracket into pre-drilled holes, then tighten.  
(See Figure 5)



## Assembly Instructions 6/6

### IMPORTANT

- To help reduce the risk of the unit tipping over, the Tipover Restraint must be installed following these instructions exactly.

### STEP 9

Place unit at desired location.

Drill a 3/8" hole in wall in-line with Pre-drilled hole at top of unit.

Move unit.

Insert Anchor into the wall hole and attach Bracket with Wall Screw.

Attach Bracket at pre-drilled hole at top of unit with Wood Screw.

Move unit back into place.

Slide Tipover Restraint through Bracket on wall and Bracket on unit.  
(See Figure 6)

Put tie end of Tipover Restraint into lock end of Tipover Restraint and pull until tight.

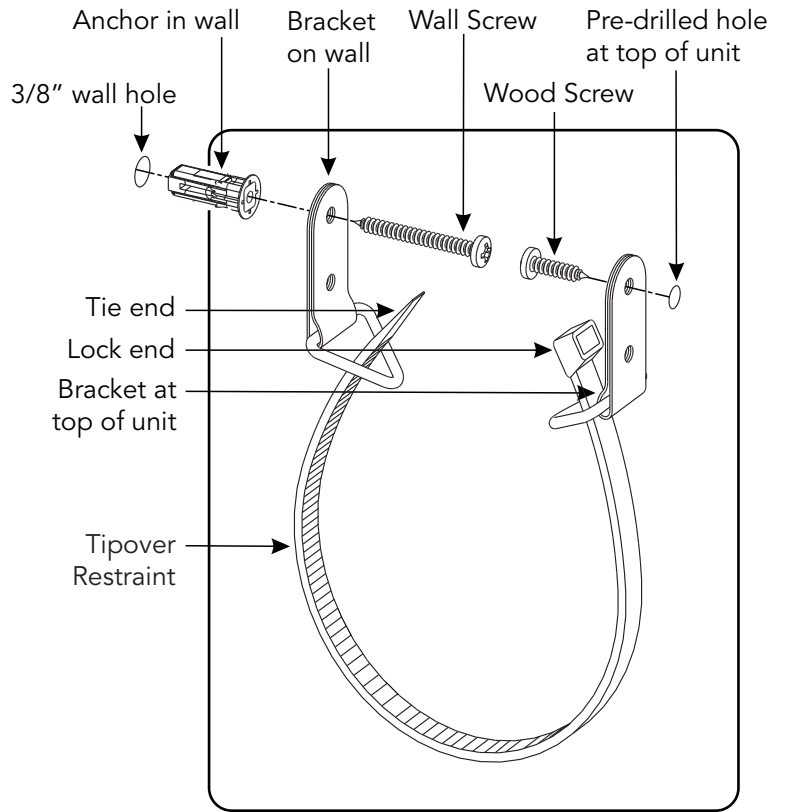
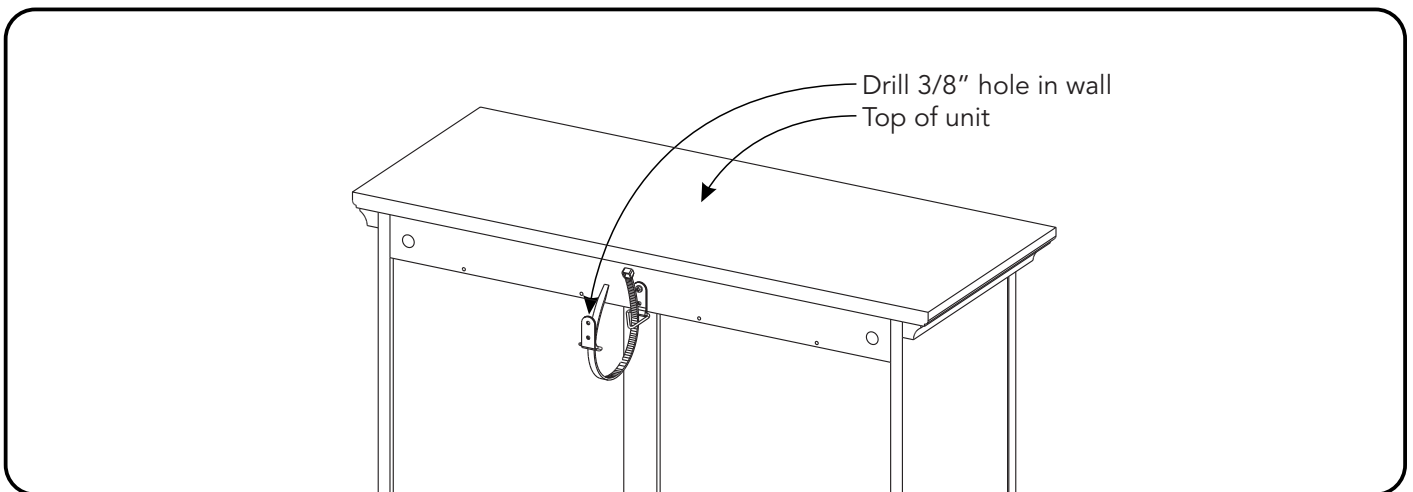


Figure 6



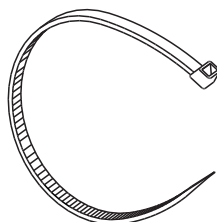
### Hardware List



Anchor  
1 pc. (+1 extra)



Bracket  
2 pcs. (+1 extra)



Tipover Restraint  
1 pc. (+1 extra)



M3.5x40  
Wall Screw  
1 pc. (+1 extra)



M3.5x16  
Wood Screw  
1 pc. (+1 extra)



# CARE INSTRUCTIONS

## NEVER

allow liquids to remain on furniture.  
Absorption causes parts to warp  
and split and finishes to delaminate.

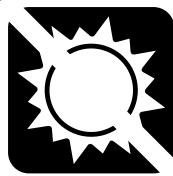
## NEVER

use glass cleaners on  
finished furniture. Ammonia  
chemically attacks the finish.



Do not use power tools  
above 8 volts to assemble.

**PREVENT  
CRACKING**



Do not place  
in direct sunlight.

**PREVENT  
FADING**



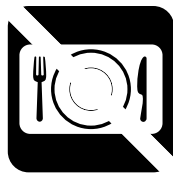
Do not write  
directly on surface.

**PREVENT  
MARKING**



Do not place hot  
objects on surface.

**PREVENT  
FINISH DAMAGE**



Do not use rubber  
based placemats.

**PREVENT  
DISCOLORING**

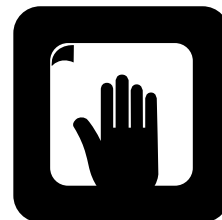


Do not use commercial  
waxes and polishes.

**PREVENT  
YELLOWING**

## CLEAN

with a soft cloth moistened  
in lukewarm soap and water.  
Buff with a dry clean cloth.



**homestyles** will provide replacements free of charge for missing or damaged parts within 30 days of purchase. Digital images of the defective parts may be required. If the product was not purchased from an authorized retailer, **homestyles** is under no obligation to provide replacement parts. Parts are not available for fully assembled items nor are parts available for sale. Replacements for missing or damaged parts may be requested via contact info below.

**homestyles** Customer Service: [www.homestylesfurniture.com](http://www.homestylesfurniture.com),  
[servicedesk@homestylesfurniture.com](mailto:servicedesk@homestylesfurniture.com), 888-680-7460