


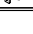


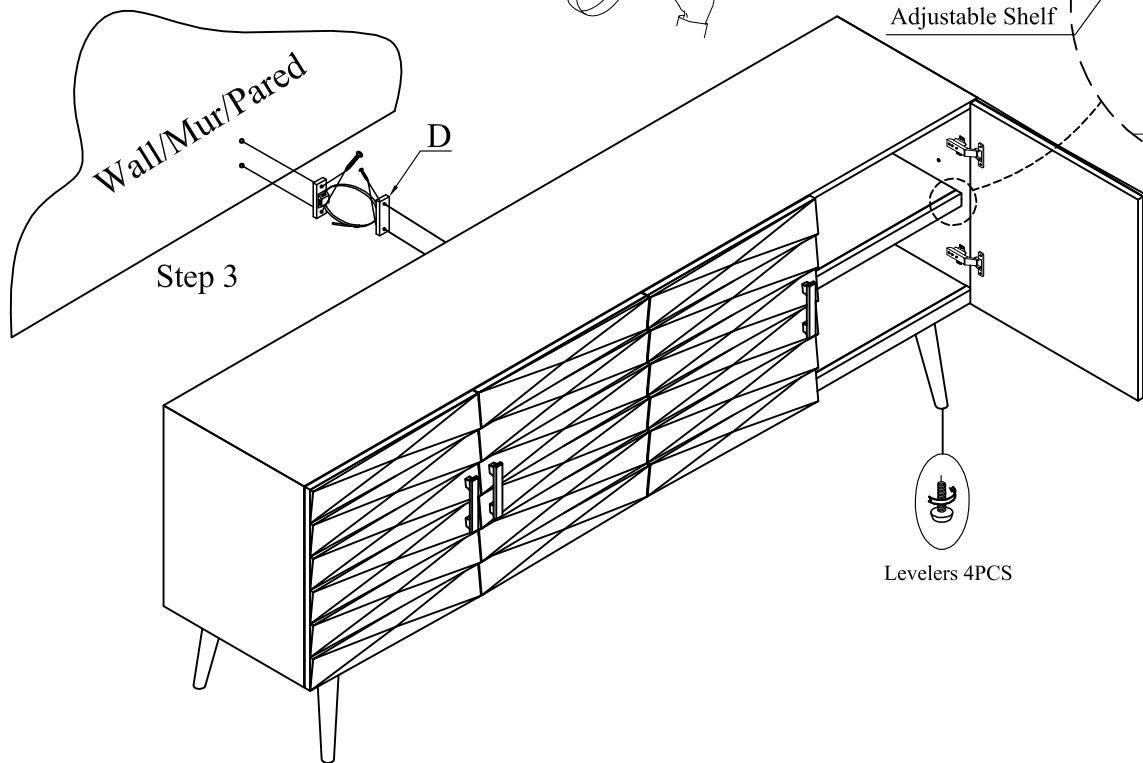
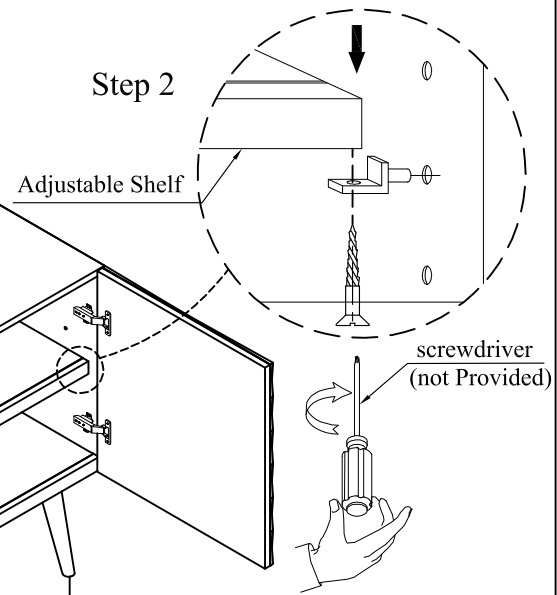
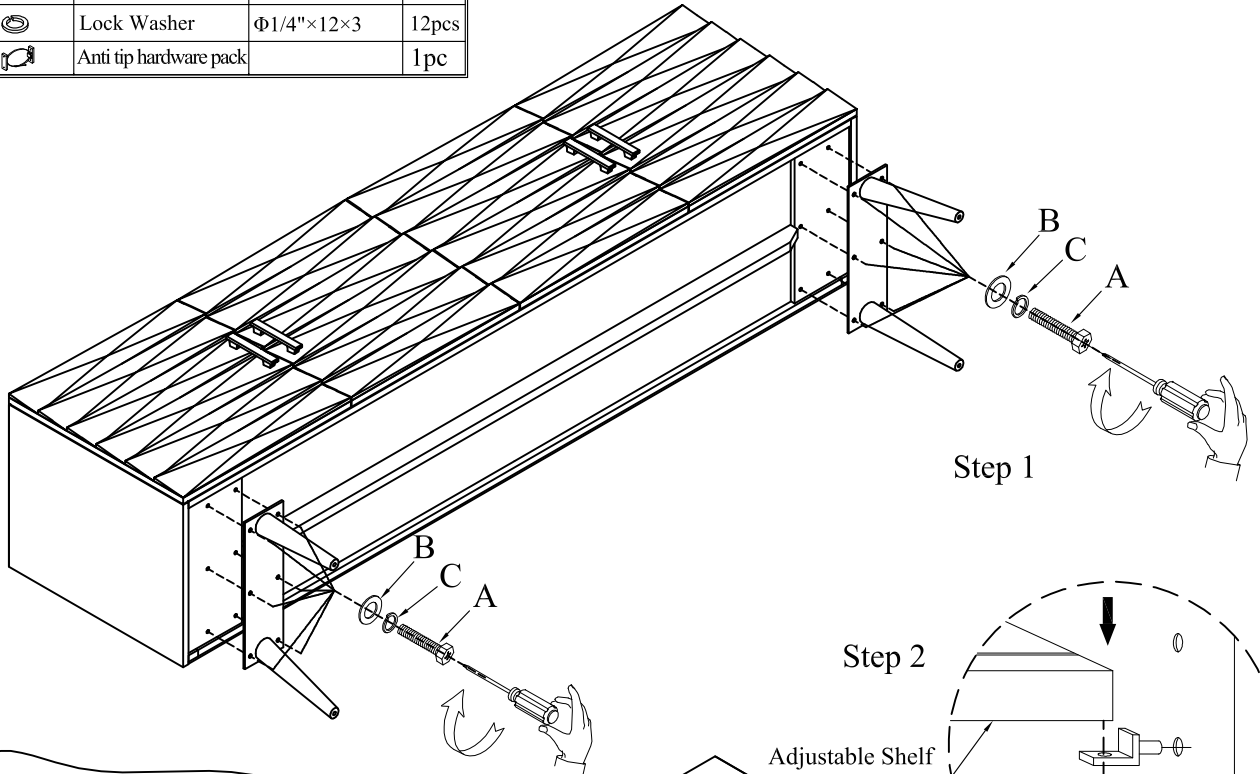
Item: 628-85584-03 Truxton Credenza

Thank you for purchasing this quality product. Be sure to unpack carefully looking for small parts which may have come loose during shipment.

Read all instruction and study the drawing carefully before starting the assembly process:

**HARDWARE PACK**

NO	DRAWING	DESCRIPTION	SIZE	Q'TY
A		Hexagonal Bolt	Φ 1/4"×1"	12pcs
B		Flat Washer	Φ1/4"×19×2	12pcs
C		Lock Washer	Φ1/4"×12×3	12pcs
D		Anti tip hardware pack		1pc



**Adjust levelers if needed, to level case on uneven floor**