





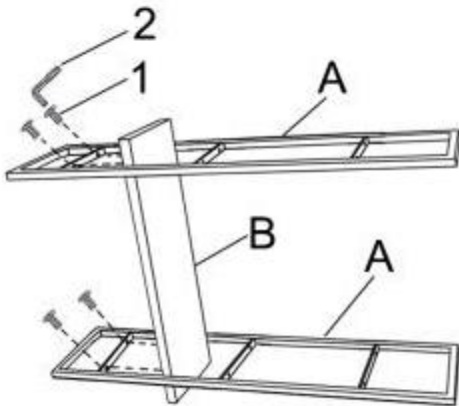
ASSEMBLY INSTRUCTIONS

Parts required

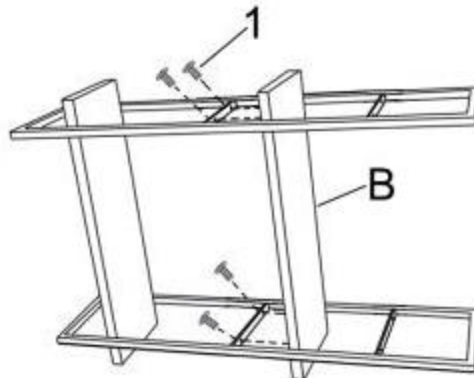
1		Bolt	φ6*10MML	12pcs
2		Allen wrench		1pc

A		2pcs
B		3pcs

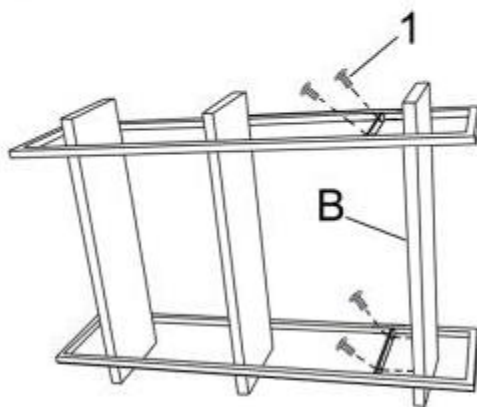
1.



2.



3.



4.

