

# ASSEMBLY INSTRUCTIONS





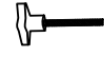

## BROOKINGS COLLECTION

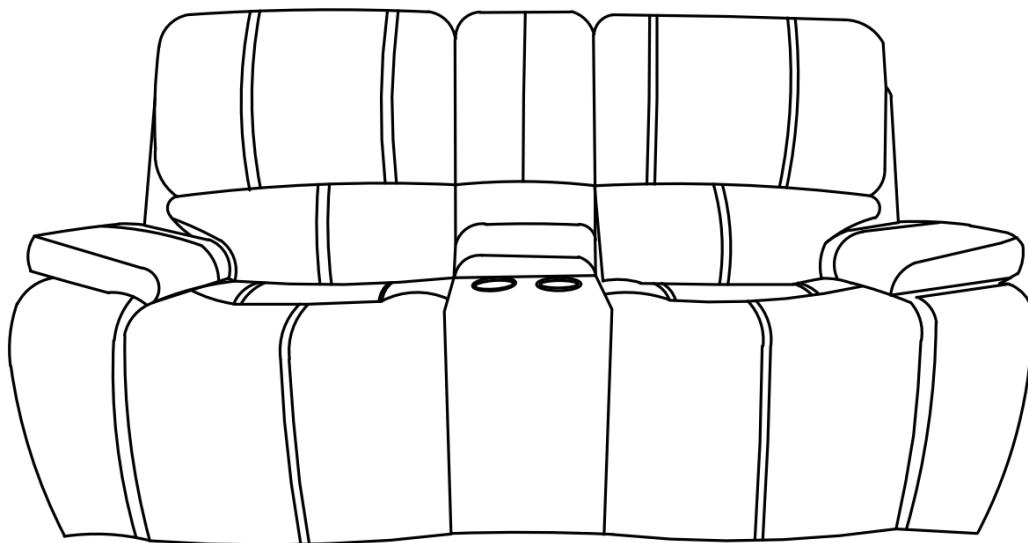
ITEM#: U093-25P1

DESCRIPTION : BROOKINGS CONSOLE  
LOVESEAT W/PWR FR

Thank you for purchasing this quality product. Be sure to check all packing materials carefully for small parts, which may have come loose during shipment. Identify and count all items and compare with the parts list shown below. It is recommended to have two people during assembling and to remove the back and base of the furniture out from the box.

**Please follow the drawings below to assemble the item**

Parts List			
NO.	DESCRIPTION	SKETCH	Q'TY
A	Seat		1 PC
B	Left Side Facing (LSF) backrest		1 PC
C	Console backrest		1 PC
D	Right Side Facing (RSF) backrest		1 PC
E	Knob Screw		2 PCS
F	Transformer		1 PC



All images shown are for illustration purpose only.  
Actual product may vary due to product enhancement.

# ASSEMBLY INSTRUCTIONS

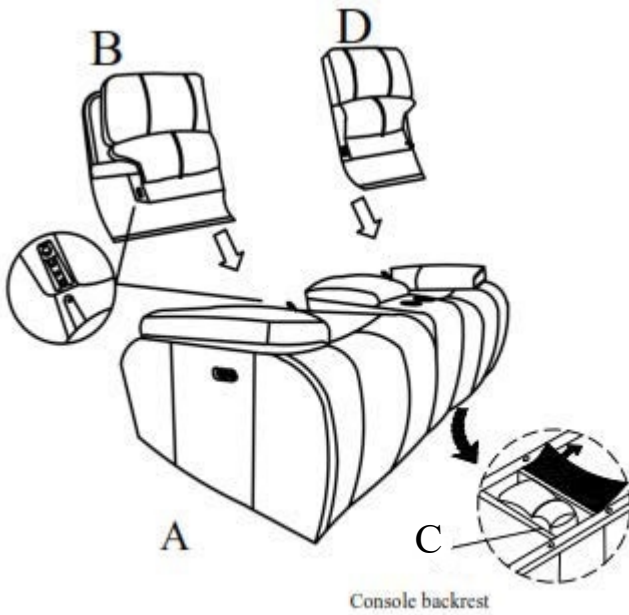
## BROOKINGS COLLECTION

ITEM#: U093-25P1

DESCRIPTION : BROOKINGS CONSOLE  
LOVESEAT W/PWR FR

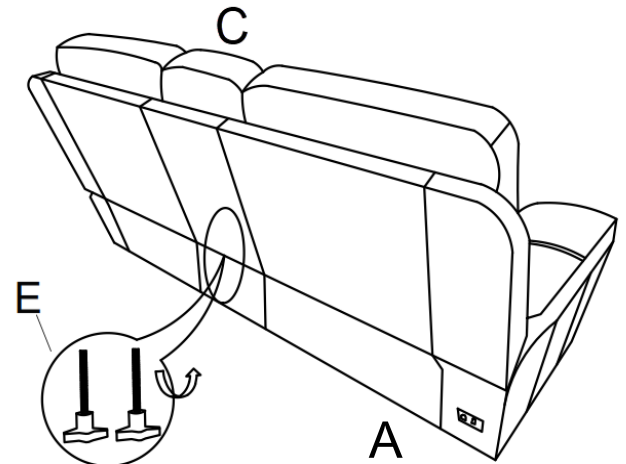
### Step 1:

Locate the Console Backrest (C) underneath the seat (A). Attach the LSF and RSF backrest (B&D) to the Seat (A).



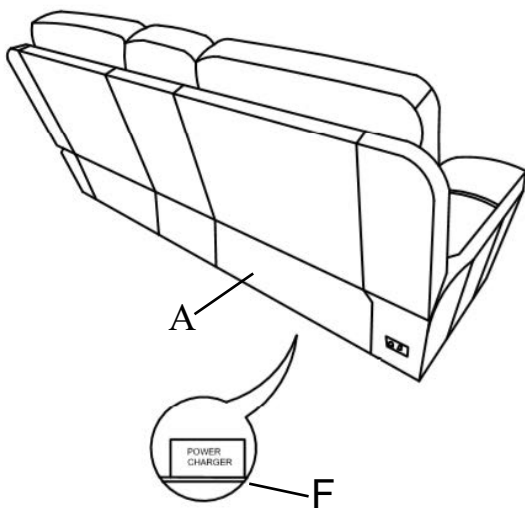
### Step 2:

Place the console backrest (C) in the right location and then attach to the seat (A) by turning the Knob Screws (E) counterclockwise.



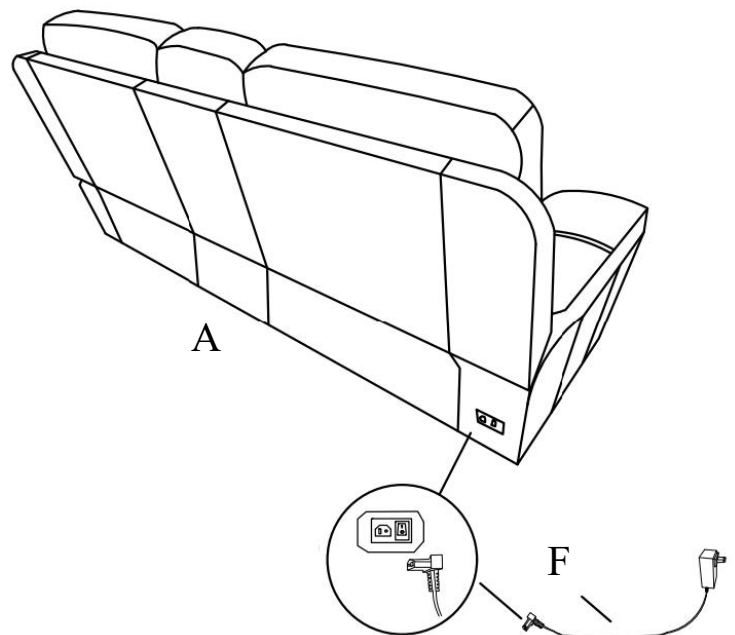
### Step 3:

Locate the transformer at the bottom of the seat (A).



### Step 4:

Connect the transformer (F) to the power socket on seat (A).



All images shown are for illustration purpose only.  
Actual product may vary due to product enhancement.

# ASSEMBLY INSTRUCTIONS

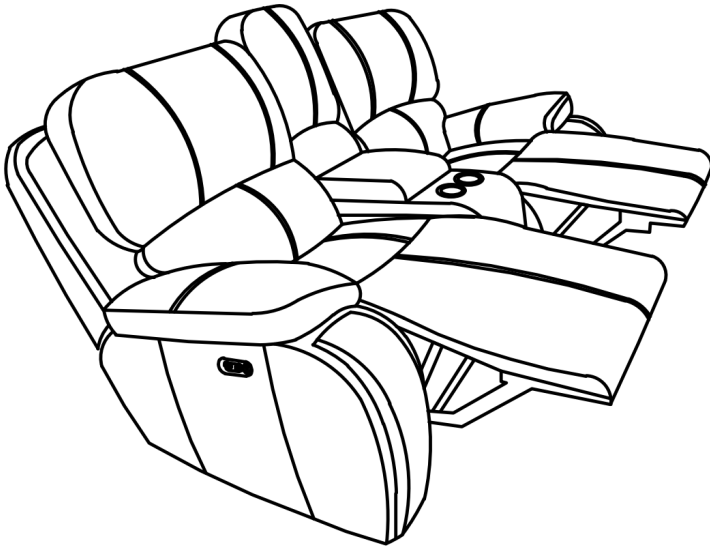
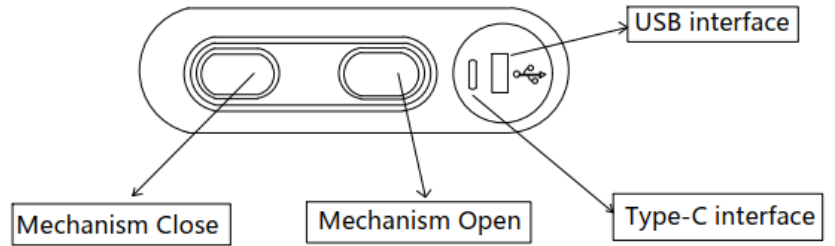
## BROOKINGS COLLECTION

ITEM#: U093-25P1

DESCRIPTION : BROOKINGS CONSOLE  
LOVESEAT W/PWR FR

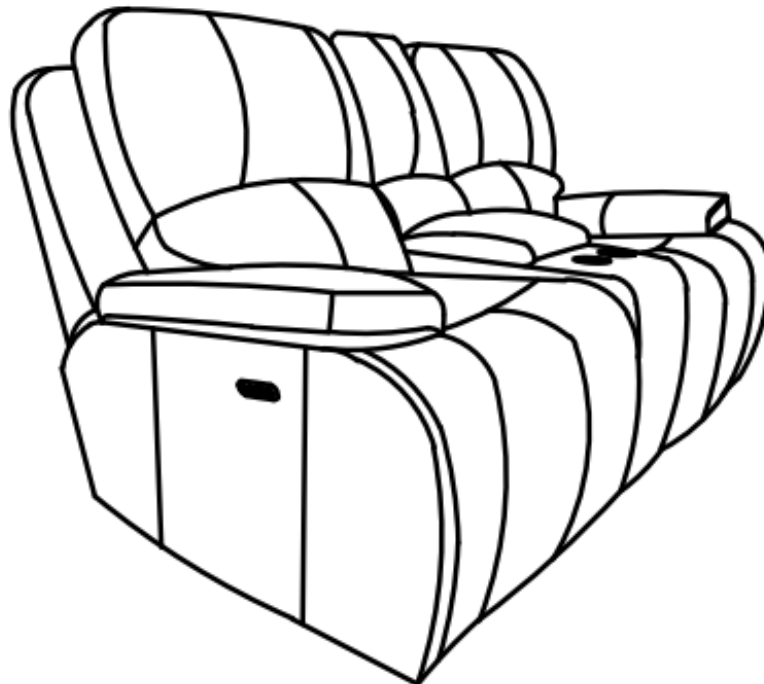
### Step 5:

Open the footrest by pressing the power button.



### Step 6:

Assembly completed.



All images shown are for illustration purpose only.  
Actual product may vary due to product enhancement.