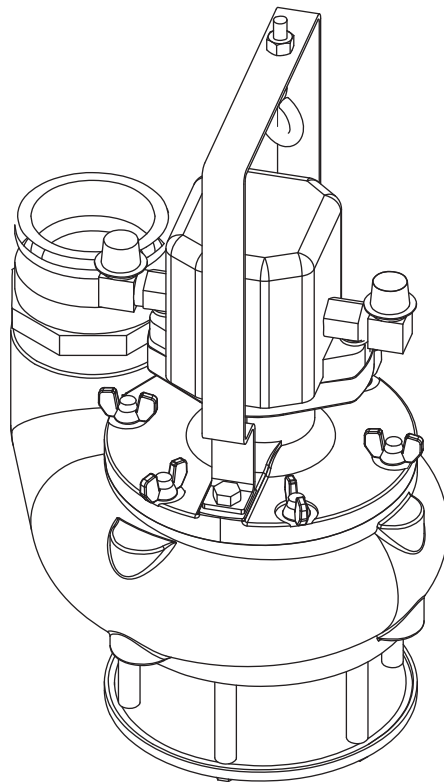


INSTRUCTION MANUAL



Español..... 11
Français..... 21

H4635

Submersible Trash Pump

Serial Code GKH



Read and understand all of the instructions and safety information in this manual before operating or servicing this tool.

Register this product at www.greenlee.com

Table of Contents

Description	2
Safety	2
Purpose of this Manual	2
Other Publications	2
Important Safety Information	3-4
Identification	5
Specifications	6
Hoses and Fittings	7
Hose Connections	7
Typical Setup	7
Operation	8
Maintenance	8
Troubleshooting	9
Español	11-19
Français	21-29
SERVICE	
Disassembly	31
Inspection	31
Assembly	31
Illustrations and Parts Lists	32-33

Description

The Greenlee H4635 Submersible Trash Pump is intended for pumping water with solids in any type of non-explosive environment. This pump operates with either open-center or closed-center hydraulic systems.

The quiet, self-priming pump mechanism operates efficiently and features a rugged, direct-drive, gear-type hydraulic motor. Oil-lubricated seals prevent damage when the pump is unintentionally run dry.

Safety

Safety is essential in the use and maintenance of Greenlee tools and equipment. This instruction manual and any markings on the tool provide information for avoiding hazards and unsafe practices related to the use of this tool. Observe all of the safety information provided.

Purpose of this Manual

This manual is intended to familiarize all personnel with the safe operation and maintenance procedures for the following Greenlee tool:

H4635 (49334) Submersible Trash Pump
Serial Code GKH

Keep this manual available to all personnel.

Replacement manuals are available upon request at no charge at www.greenlee.com.

Other Publications

SAE Standard J1273 (Hose and Hose Assemblies):
Publication 99930323

All specifications are nominal and may change as design improvements occur. Greenlee Tools, Inc. shall not be liable for damages resulting from misapplication or misuse of its products. Loctite is a registered trademark of Henkel Corp.

KEEP THIS MANUAL

IMPORTANT SAFETY INFORMATION



SAFETY ALERT SYMBOL

This symbol is used to call your attention to hazards or unsafe practices which could result in an injury or property damage. The signal word, defined below, indicates the severity of the hazard. The message after the signal word provides information for preventing or avoiding the hazard.

⚠ **DANGER**

Immediate hazards which, if not avoided, **WILL** result in severe injury or death.

⚠ **WARNING**

Hazards which, if not avoided, **COULD** result in severe injury or death.

⚠ **CAUTION**

Hazards or unsafe practices which, if not avoided, **MAY** result in injury or property damage.



⚠ **WARNING**

Skin injection hazard:

- Do not use hands to check for leaks.
- Do not hold hose or couplers while the hydraulic system is pressurized.
- Depressurize the hydraulic system before servicing.

Oil under pressure easily punctures skin, causing serious injury, gangrene, or death. If you are injured by escaping oil, seek medical attention immediately.

⚠ **WARNING**

Pump water only.

- Do not use to pump drinking water.
- Do not use to extinguish fires.

Failure to observe these warnings could result in severe injury or death.

⚠ **WARNING**

Keep away from the pump outlet/discharge hose during operation. Liquid and debris will be thrown by the pump.

Failure to observe this warning could result in severe injury or death.

⚠ **WARNING**

Do not operate the pump if the impeller blades are exposed. Do not operate the pump without the base legs and base plate in place.

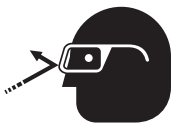
Failure to observe this warning could result in severe injury or death.



⚠ **WARNING**

Read and understand all of the instructions and safety information in this manual before operating or servicing this tool.

Failure to observe this warning could result in severe injury or death.



⚠ **WARNING**

Wear eye protection when operating or servicing this tool.

Failure to wear eye protection could result in serious eye injury from flying debris or hydraulic oil.

IMPORTANT SAFETY INFORMATION

⚠ WARNING

Do not exceed the following hydraulic power source maximums:

- Hydraulic flow: 37.9 l/min (10 gpm)
- Pressure relief: 172 bar (2500 psi)
- Back pressure: 13.8 bar (200 psi)

Failure to observe this warning could result in severe injury or death.

⚠ WARNING

Do not disconnect tool, hoses, or fittings while the power source is running or if the hydraulic fluid is hot. Hot hydraulic fluid can cause serious burns.

⚠ WARNING

Do not reverse hydraulic flow. Operation with hydraulic flow reversed can cause tool malfunction. Connect the pressure (supply) hose and tank (return) hose to the proper ports.

Failure to observe this warning could result in severe injury or death.

⚠ WARNING

Do not change accessories, inspect, adjust, or clean tool when it is connected to a power source. Accidental startup can result in serious injury.

⚠ CAUTION

Hydraulic oil can cause skin irritation.

- Handle the tool and hoses with care to prevent skin contact with hydraulic oil.
- In case of accidental skin contact with hydraulic oil, wash the affected area immediately to remove the oil.

Failure to observe these precautions may result in injury.

⚠ CAUTION

- Inspect tool before use. Replace any worn or damaged parts. A damaged or improperly assembled tool can malfunction, injuring nearby personnel.
- Inspect the hydraulic hoses and couplings every operating day. Repair or replace if leakage, cracking, wear, or damage is evident. Damaged hoses or couplings can fail, resulting in injury or property damage.
- Use this tool for manufacturer's intended use only. Use other than that which is described in this manual could result in injury or property damage.
- Make sure all bystanders are clear of the work area when handling, starting, and operating the tool. Nearby personnel can be injured by flying debris or by flying parts in the event of a tool malfunction.

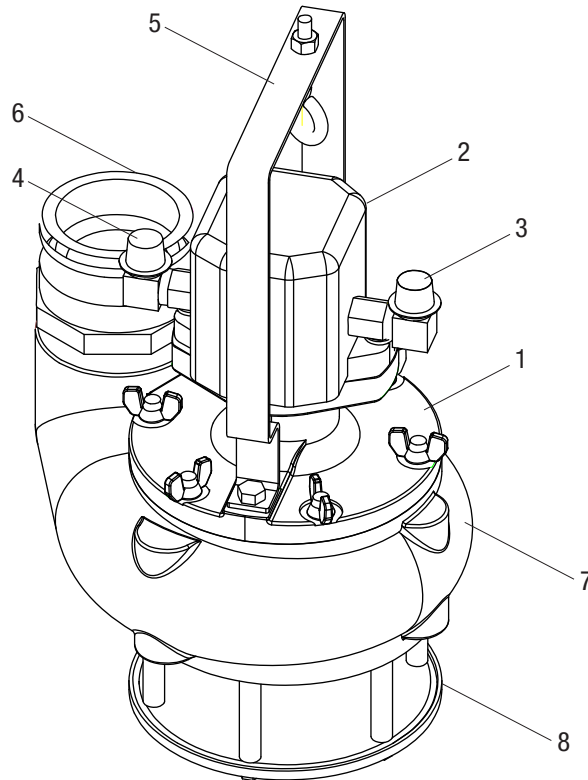
IMPORTANT

Procedure for connecting or disconnecting hydraulic hoses, fittings, or components:

1. Move the flow lever on the hydraulic power source to the OFF position.
2. Stop the hydraulic power source.
3. Follow the sequence under "Hose Connections" to prevent pressure buildup. In case some pressure has built up, loosen hoses, fittings, or components slowly.

Note: Keep all decals clean and legible, and replace when necessary.

Identification



H4635 Submersible Trash Pump

- | | |
|---|-----------------------------|
| 1. Serial Number Tag | 5. Handle |
| 2. Hydraulic Motor | 6. Discharge Port |
| 3. Hydraulic Tank Port "T" (return) | 7. Housing |
| 4. Hydraulic Pressure Port "P" (supply) | 8. Base Legs and Base Plate |

Specifications

H4635

Type of Hydraulic System: Open-center or closed-center

Hydraulic Ports:

Pressure (supply): 1/2" male NPT

Tank (return): 1/2" male NPT

Output: Refer to the "Performance Chart" below

Mass/Weight: 10.9 kg (24 lb)

Width (diameter): 301 mm (11.87")

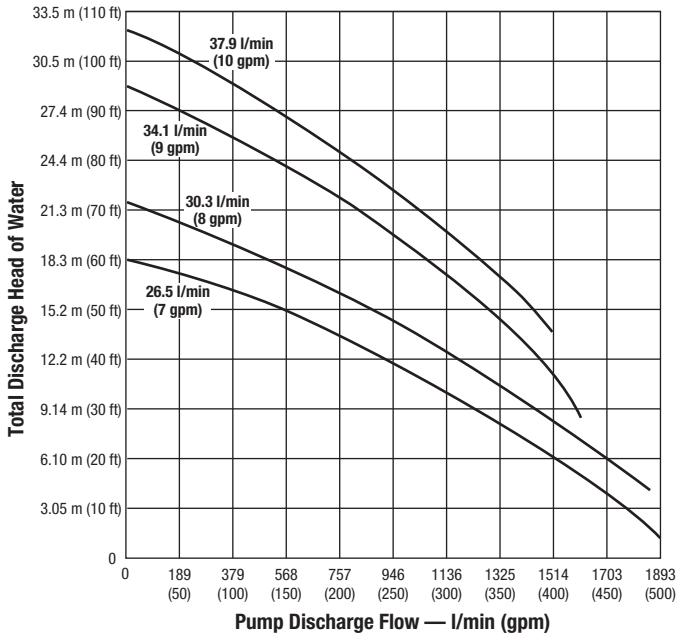
Height (with handle): 360 mm (14.18")

Maximum Trash Diameter: 63.5 mm (2.5")

Pump Inlet Port: 79.4 mm (3.125")

Pump Discharge Port: 3" female NPT

Performance Chart



Hydraulic Power Source

⚠ WARNING

Do not exceed the following hydraulic power source maximums:

- Hydraulic flow: 37.9 l/min (10 gpm)
- Pressure relief: 172 bar (2500 psi)
- Back pressure: 13.8 bar (200 psi)

Failure to observe this warning could result in severe injury or death.

Hydraulic Power Source (cont'd)

Type of Hydraulic System: Open-center or closed-center

Flow:

Minimum: 26.5 l/min (7 gpm)

Recommended: 30.3 to 37.9 l/min (8 to 10 gpm)

Maximum: 37.9 l/min (10 gpm)

Filtration: 10 micron (nominal)

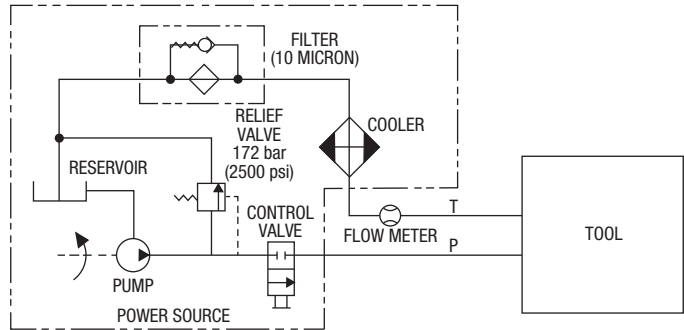
Pressure Relief Setting: 172 bar (2500 psi)

Back Pressure (maximum*): 13.8 bar (200 psi)

* 13.8 bar (200 psi) is the maximum agreed standard back pressure for the HTMA (Hydraulic Tool Manufacturers Association). Greenlee tools will operate satisfactorily at this standard.

1. Maximum hydraulic fluid temperature must not exceed 60 °C (140 °F). A sufficient oil cooling capacity is needed to limit the hydraulic fluid temperature.
2. Hydraulic flow must not exceed 37.9 l/min (10 gpm). Install a flow meter in the return line to measure the rate of hydraulic flow before using the tool.
3. Pressure relief valve setting must not exceed 172 bar (2500 psi) at your tool's maximum flow. Locate the pressure relief valve in the supply circuit to limit excessive hydraulic pressure to the tool.

Hydraulic Schematic



Recommended Hydraulic Fluids

Use any nondetergent, petroleum-based hydraulic fluid which meets the following specifications or HTMA specifications.

S.U.S. @:

38 °C (100 °F): 140 to 225

99 °C (210 °F): 40 minimum

Flash Point: 170 °C (340 °F) minimum

Pour Point: -34 °C (-30 °F) minimum

Hoses and Fittings

Installation and Maintenance

Refer to publication 99930323, SAE J1273 (Hose and Hose Assemblies).

Replacement

Refer to a Greenlee catalog or publication 99910322, Low Pressure Quick Couplers, Adapters, and Hoses.

⚠ WARNING

Do not disconnect tool, hoses, or fittings while the power source is running or if the hydraulic fluid is hot. Hot hydraulic fluid can cause serious burns.

Hose Connections

Tool Port Identification

Three methods are used to identify the pressure (supply) and tank (return) ports of Greenlee tools. Match the markings on your tool to this table.

Pressure Port (supply)	Tank Port (return)
P	T
or	
In	Out
or	
3/4-16 O-ring Boss (smaller port)	1-1/16-12 O-ring Boss (larger port)

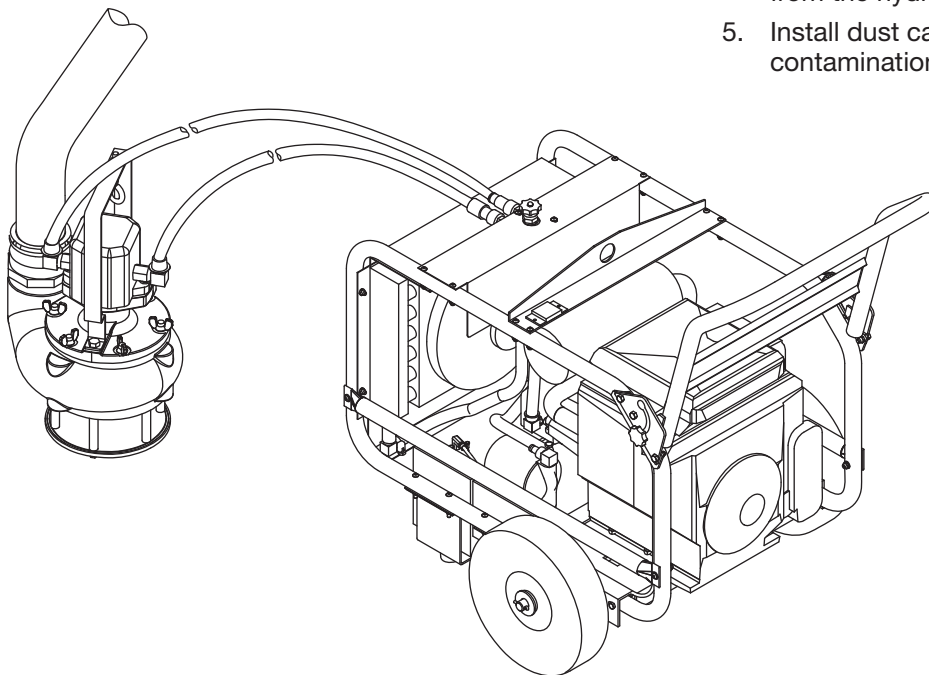
Connecting Hoses

1. Move the flow lever on the hydraulic power source to the OFF position.
2. Stop the hydraulic power source.
3. Connect the tank hose to the tank (return) port on the hydraulic power source, and then to the tank port on the tool.
4. Connect the pressure hose to the pressure port on the tool, and then to the pressure (supply) port on the hydraulic power source.

Disconnecting Hoses

1. Move the flow lever on the hydraulic power source to the OFF position.
2. Stop the hydraulic power source.
3. Disconnect the pressure hose from the hydraulic power source, and then from the tool.
4. Disconnect the tank hose from the tool, and then from the hydraulic power source.
5. Install dust caps over the ports to prevent contamination.

Typical Setup



Operation

⚠ WARNING

Keep away from the pump outlet/discharge hose during operation. Liquid and debris will be thrown by the pump.

Failure to observe this warning could result in severe injury or death.

⚠ WARNING

Do not change accessories, inspect, adjust, or clean tool when it is connected to a power source. Accidental startup can result in serious injury.



⚠ WARNING

Wear eye protection when operating or servicing this tool.

Failure to wear eye protection could result in serious eye injury from flying debris or hydraulic oil.



⚠ WARNING

Skin injection hazard:

- Do not use hands to check for leaks.
- Do not hold hose or couplers while the hydraulic system is pressurized.
- Depressurize the hydraulic system before servicing.

Oil under pressure easily punctures skin, causing serious injury, gangrene, or death. If you are injured by escaping oil, seek medical attention immediately.

1. Connect the discharge hose to the discharge port.
2. Start the hydraulic power source.

Note: Allow the power source to run for a few minutes to warm the hydraulic fluid.

⚠ CAUTION

Do not use the hydraulic hoses to lower or lift the pump. This will weaken or damage the hoses or fittings, and could cause a hydraulic fluid leak.

Failure to observe this precaution may result in property damage.

3. Attach a rope or other device to the handle of the pump. Lower the pump into the material to be pumped.
4. Actuate the control valve of the power source to start the flow of hydraulic fluid.
5. When finished pumping, actuate the control valve to stop the flow of hydraulic fluid.

Maintenance

Use this maintenance schedule to maximize the tool's service life.

Note: Keep all decals clean and legible, and replace when necessary.

Daily

1. Wipe all tool surfaces clean.
2. Inspect the hydraulic hoses and fittings for signs of leaks, cracks, wear, or damage. Replace if necessary.
3. Install dust caps over the hydraulic ports when the tool is disconnected.

Monthly

1. Perform a thorough inspection of the hydraulic hoses and fittings as described in publication 99930323, SAE J1273 (Hose and Hose Assemblies).
2. Remove and clean the base legs and base plate. Remove any material that may have accumulated near the inlet port.

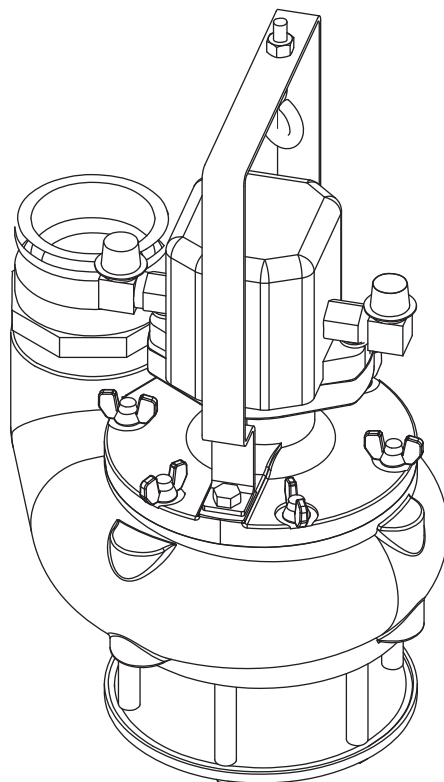
Troubleshooting

Before troubleshooting, determine whether the problem is in the tool, the hoses, or the power source. Substitute a tool, hoses, or power source known to be in good working order to identify the item that is not operating.

If the problem is in the tool, refer to the troubleshooting table below. If the problem is in the power source, refer to the troubleshooting section of the power source instruction manual.

Problem	Probable Cause	Probable Remedy
Tool does not operate.	Improper power source.	Verify that the power source meets the specifications. Refer to the "Specifications" section of this manual.
	Hydraulic fluid level low.	Check the fluid level. Check system for leaks.
	Incorrect hydraulic fluid viscosity.	Use hydraulic fluid with the correct viscosity. Refer to the "Specifications" section of this manual.
	Debris stuck in the impeller.	Remove debris from the impeller.
Tool operates slowly or erratically.	Hydraulic fluid cold.	Allow fluid to warm to the operating temperature. Actuate the tool intermittently to reduce the warming time.
	Power source not adjusted correctly.	Refer to the power source operator's manual. Set the flow and pressure to correspond with the tool.
	Hydraulic fluid level low.	Check the fluid level. Check system for leaks.
	Air in the hydraulic system.	Refer to the power source manufacturer's instructions for removing air from the system.
	Incorrect hydraulic fluid viscosity.	Use hydraulic fluid with the correct viscosity. Refer to the "Specifications" section of this manual.
Tool operates backwards.	Hose connections at tool reversed.	Depressure the hydraulic system. Switch the hose connections.
Tool operates, but discharge is low.	Inlet port plugged.	Remove debris from the area around the base legs and base plate.
	Discharge hose plugged.	Remove and clean hose.

MANUAL DE INSTRUCCIONES



Bomba sumergible para residuos y sedimentos H4635

Código de serie GKH



Lea y entienda todas las instrucciones y la información sobre seguridad que aparecen en este manual, antes de manejar esta bomba o darle mantenimiento.

Registre este producto en www.greenlee.com

Índice

Descripción	12
Acerca de la seguridad.....	12
Propósito de este manual	12
Otras publicaciones	12
Información importante sobre seguridad	13-14
Identificación	15
Especificaciones	16
Mangueras y accesorios	17
Conexión de las mangueras.....	17
Modelo de instalación	17
Operación.....	18
Mantenimiento.....	18
Solución de problemas	19
SERVICIO	
Desmontaje	31
Inspección	31
Montaje.....	31
Ilustraciones y listas de piezas.....	32-33

Descripción

La bomba sumergible para residuos y sedimentos H4635 de Greenlee está destinada para el bombeo de agua con sólidos en cualquier tipo de entorno no explosivo. Esta bomba funciona con sistemas hidráulicos de centro abierto o de centro cerrado.

El mecanismo silencioso autocebante de la bomba funciona eficientemente e incluye un robusto motor hidráulico de tipo engranaje con impulsión directa. Los sellos lubricados con aceite impiden que se dañe la bomba si inadvertidamente funciona en seco.

Acerca de la seguridad

Es fundamental observar métodos seguros al utilizar y dar mantenimiento a las herramientas y equipo de Greenlee. Este manual de instrucciones y todas las marcas que ostenta la bomba le ofrecen la información necesaria para evitar riesgos y prácticas poco seguras relacionados con su uso. Siga toda la información sobre seguridad que se proporciona.

Propósito de este manual

Este manual tiene como propósito familiarizar a todo el personal con los procedimientos de operación y mantenimiento seguros para la siguiente herramienta de Greenlee:

H4635 (49334) Bomba sumergible para
residuos y sedimentos
Código de serie GKH

Siempre mantenga este manual al alcance de todo el personal.

Puede obtener copias adicionales de manera gratuita, previa solicitud en www.greenlee.com.

Otras publicaciones

Norma SAE J1273 (Manguera y conjuntos de mangueras): Publicación 99930323

Todas las especificaciones son nominales y podrían cambiar según se hagan mejoras en el diseño. Greenlee Tools, Inc. no será responsable por daños que resulten de la aplicación o uso indebidos de sus productos.

Loctite es una marca registrada de Henkel Corp.

CONSERVE ESTE MANUAL

INFORMACIÓN IMPORTANTE SOBRE SEGURIDAD



SÍMBOLO DE ALERTA SOBRE SEGURIDAD

Este símbolo se utiliza para indicar un riesgo o práctica poco segura que podría ocasionar lesiones o daños materiales. Cada uno de los siguientes términos denota la gravedad del riesgo. El mensaje que sigue a dichos términos le indica cómo puede evitar o prevenir dicho riesgo.

⚠ PELIGRO

Peligros inmediatos que, de no evitarse, OCASIONARÁN graves lesiones o incluso la muerte.

⚠ ADVERTENCIA

Peligros que, de no evitarse, PODRÍAN OCASIONAR graves lesiones o incluso la muerte.

⚠ ATENCIÓN

Peligros o prácticas peligrosas que, de no evitarse, PUEDEN OCASIONAR lesiones o daños materiales.

⚠ ADVERTENCIA

Peligro de inyección cutánea:

- No use las manos para localizar fugas.
- No toque la manguera ni los acopladores mientras el sistema hidráulico se encuentre presurizado.
- Purgue la presión en el sistema hidráulico antes de darle mantenimiento.



El aceite a presión perfora la piel fácilmente provocando graves lesiones, gangrena o la muerte. Si se lesiona debido a una fuga de aceite, solicite atención médica de inmediato.

⚠ ADVERTENCIA

Bombee agua únicamente.

- No use este equipo para bombear agua potable.
- No use el equipo para la extinción de incendios.

De no observarse estas advertencias podrían sufrirse lesiones graves o incluso la muerte.

⚠ ADVERTENCIA



Lea y entienda todas las instrucciones y la información sobre seguridad que aparecen en este manual, antes de manejar esta bomba o darle mantenimiento.

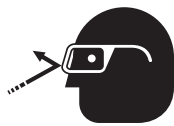
De no observarse esta advertencia podrían sufrirse graves lesiones o incluso la muerte.

⚠ ADVERTENCIA

Durante el funcionamiento aléjese de la descarga de la bomba/manguera de descarga. La bomba lanzará líquidos y residuos.

De no observarse esta advertencia podrían sufrirse graves lesiones o incluso la muerte.

⚠ ADVERTENCIA



Utilice protectores para ojos al manejar o darle mantenimiento a esta herramienta.

De no utilizar protectores para ojos podría sufrir graves lesiones oculares ocasionadas si el aceite hidráulico, o restos de materiales llegan a saltar.

⚠ ADVERTENCIA

No accione la bomba si las paletas impulsoras están expuestas. No accione la bomba si las patas de la base y la placa de base no están instaladas en posición.

De no observarse esta advertencia podrían sufrirse graves lesiones o incluso la muerte.

INFORMACIÓN IMPORTANTE SOBRE SEGURIDAD

⚠️ ADVERTENCIA

No exceda los máximos especificados a continuación para la fuente de potencia hidráulica:

- Gasto hidráulico: 37,9 l/min (10 gpm)
- Presión de seguridad: 172 bar (2500 lb./pulg.²)
- Contrapresión: 13,8 bar (200 lb./pulg.²)

De no observarse esta advertencia podrían sufrirse graves lesiones o incluso la muerte.

⚠️ ADVERTENCIA

No desconecte la bomba, las mangueras ni los accesorios mientras la fuente de potencia esté funcionando ni cuando el fluido hidráulico esté caliente. El fluido hidráulico caliente puede ocasionar quemaduras graves.

⚠️ ADVERTENCIA

No invierta el gasto hidráulico. Operar la bomba con el gasto hidráulico invertido causará desperfectos en la bomba. Conecte las mangueras de presión (suministro) y la del tanque (retorno), en las bocatomas correspondientes.

De no observarse esta advertencia podrían sufrirse graves lesiones o incluso la muerte.

⚠️ ADVERTENCIA

No cambie accesorios ni inspeccione, ajuste o limpie la bomba mientras esté conectada a una fuente de potencia. El arranque accidental puede ocasionar graves lesiones.

⚠️ ATENCIÓN

El aceite hidráulico puede causar irritación en la piel.

- Maneje la bomba y las mangueras con cuidado para evitar que el aceite hidráulico entre en contacto con la piel.
- Si ocurre el contacto accidental, lávese de inmediato el área afectada a fin de eliminar el aceite.

De no observarse estas advertencias podrían sufrirse lesiones.

⚠️ ATENCIÓN

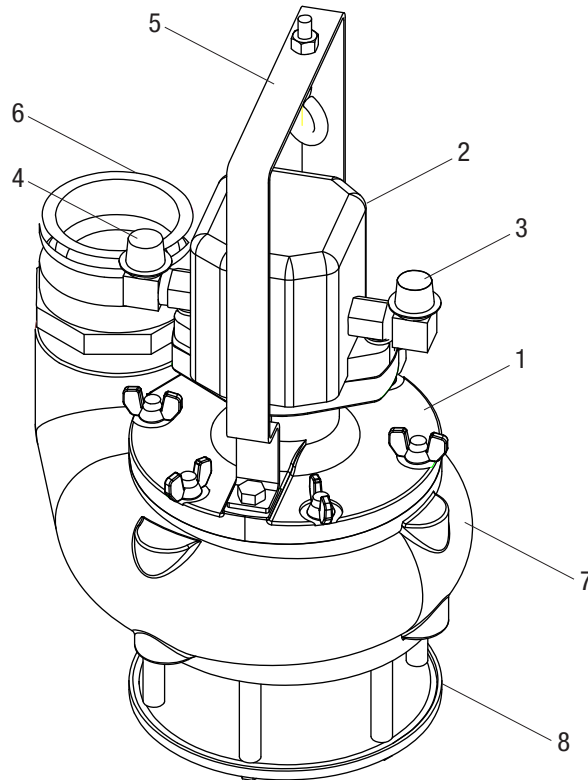
- Inspeccione la bomba antes de utilizarla. Reemplace cualquier pieza desgastada o dañada. Una bomba dañada o montada erróneamente puede funcionar erráticamente y lesionar al personal que se encuentre en el área.
- Revise minuciosamente las mangueras hidráulicas y los acoplamientos cada vez que vaya a utilizar la bomba. Repárelos o reemplácelos si presentan fugas, grietas, desgaste o daños evidentes. Las mangueras y acoplamientos averiados pueden fallar y ocasionar lesiones o daños materiales.
- Utilice esta bomba únicamente para el uso destinado por el fabricante. Si se utiliza de manera diferente a la descrita en este manual pueden ocurrir lesiones o daños materiales.
- Asegúrese que no haya circunstancias en el área de trabajo al manipular, activar y operar la bomba. El personal en áreas cercanas podría sufrir lesiones por residuos o piezas lanzados al aire al ocurrir un desperfecto de la bomba.

IMPORTANTE

Procedimiento para conectar o desconectar las mangueras, accesorios o demás componentes hidráulicos:

1. Coloque la palanca de gasto –ubicada en la fuente de potencia hidráulica– en la posición de apagado (OFF).
2. Apague la fuente de potencia hidráulica.
3. Siga la secuencia detallada en “Conexión de las mangueras” a fin de evitar una acumulación de presión. Si esto ocurre, afloje lentamente las mangueras, los accesorios o los componentes.

Aviso: Mantenga limpias y legibles todas las calcomanías y reemplácelas cuando sea necesario.

Identificación**Bomba sumergible para residuos y sedimentos H4635**

- | | |
|--|-------------------------------------|
| 1. Etiqueta con número de serie | 5. Asa |
| 2. Motor hidráulico | 6. Bocatoma de descarga |
| 3. Bocatoma "T" del tanque hidráulico (retorno) | 7. Carcasa |
| 4. Bocatoma "P" de presión hidráulica (suministro) | 8. Patas de la base y placa de base |

Especificaciones

H4635

Tipo de sistema hidráulico: Centro abierto o centro cerrado

Bocatomas hidráulicas:

Presión (suministro): Macho de 1/2 pulg. NPT

Tanque (retorno): Macho de 1/2 pulg. NPT

Descarga: Véase la “Gráfica de funcionamiento” abajo

Masa/Peso: 10,9 kg (24 lb.)

Ancho (diámetro): 301 mm (11,87 pulg.)

Altura (con asa): 360 mm (14,18 pulg.)

Máximo diámetro de residuos: 63,5 mm (2,5 pulg.)

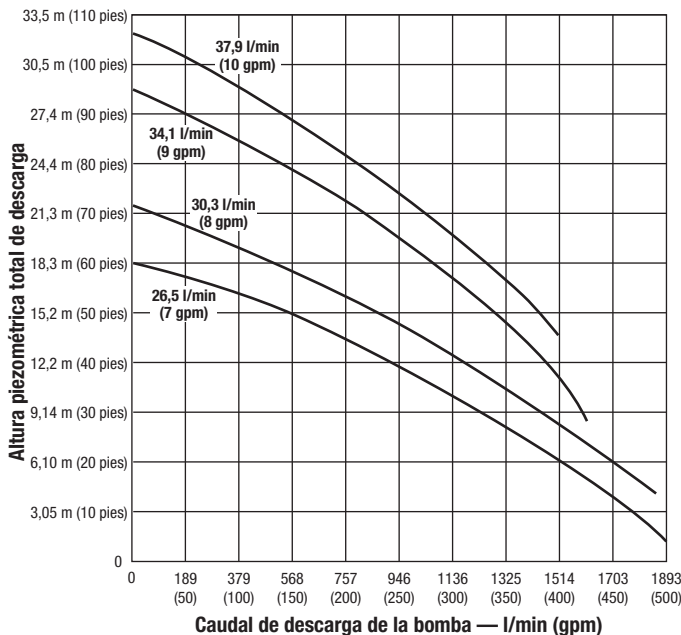
Bocatoma de admisión de la bomba:

79,4 mm (3,125 pulg.)

Bocatoma de descarga de la bomba:

Hembra de 3 pulg. NPT

Gráfica de funcionamiento



Fuente de potencia hidráulica

⚠ ADVERTENCIA

No exceda los máximos especificados a continuación para la fuente de potencia hidráulica:

- Gasto hidráulico: 37,9 l/min (10 gpm)
- Presión de seguridad: 172 bar (2500 lb./pulg.²)
- Contrapresión: 13,8 bar (200 lb./pulg.²)

De no observarse esta advertencia podrían sufrirse graves lesiones o incluso la muerte.

Fuente de potencia hidráulica (continuación)

Tipo de sistema hidráulico: Centro abierto o centro cerrado

Gasto:

Mínimo: 26,5 l/min (7 gpm)

Recomendado: 30,3 a 37,9 l/min (8 a 10 gpm)

Máximo: 37,9 l/min (10 gpm)

Filtración: 10 micras (nominal)

Ajuste de la presión de seguridad:

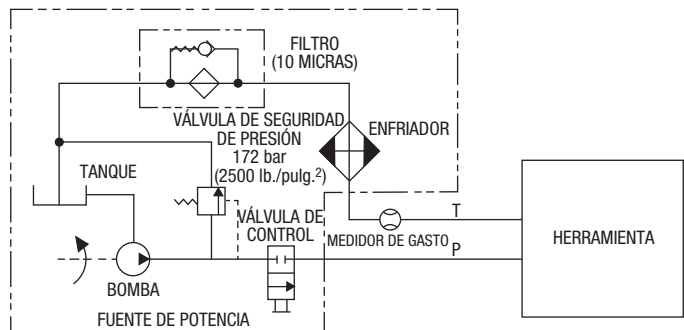
172 bar (2500 lb./pulg.²)

Contrapresión (máxima*): 13,8 bar (200 lb./pulg.²)

* 13,8 bar (200 lb./pulg.²) es la contrapresión máxima acordada en virtud de las normas de la HTMA (*Hydraulic Tool Manufacturers Association*) o Asociación de Fabricantes de Herramientas Hidráulicas). Las herramientas Greenlee funcionarán de manera satisfactoria de acuerdo con estas normas.

1. La temperatura máxima del fluido hidráulico no debe exceder 60 °C (140 °F). Es indispensable contar con suficiente capacidad de enfriamiento del aceite, a fin de controlar la temperatura del fluido hidráulico.
2. El gasto hidráulico no debe exceder 37,9 l/min (10 gpm). Instale un medidor de gasto en la línea de retorno para medir la velocidad del gasto hidráulico antes de utilizar la bomba.
3. El ajuste de la válvula de presión de seguridad no debe sobrepasar 172 bar (2500 lb./pulg.²) al gasto máximo de su bomba. Localice la válvula de presión de seguridad en el circuito de suministro para limitar un exceso de presión hidráulica a la bomba.

Diagrama hidráulico



Fluidos hidráulicos recomendados

Utilice fluidos hidráulicos, sin detergentes, con base de petróleo, y que cumplan con las siguientes especificaciones o con las especificaciones de la HTMA.

S.U.S. a:

38 °C (100 °F): 140 a 225

99 °C (210 °F): 40 mínimo

Punto de inflamación: 170 °C (340 °F) mínimo

Punto de fluidez: -34 °C (-30 °F) mínimo

Mangueras y accesorios

Instalación y mantenimiento

Consulte la publicación 99930323, SAE J1273 (Manguera y conjuntos de mangueras).

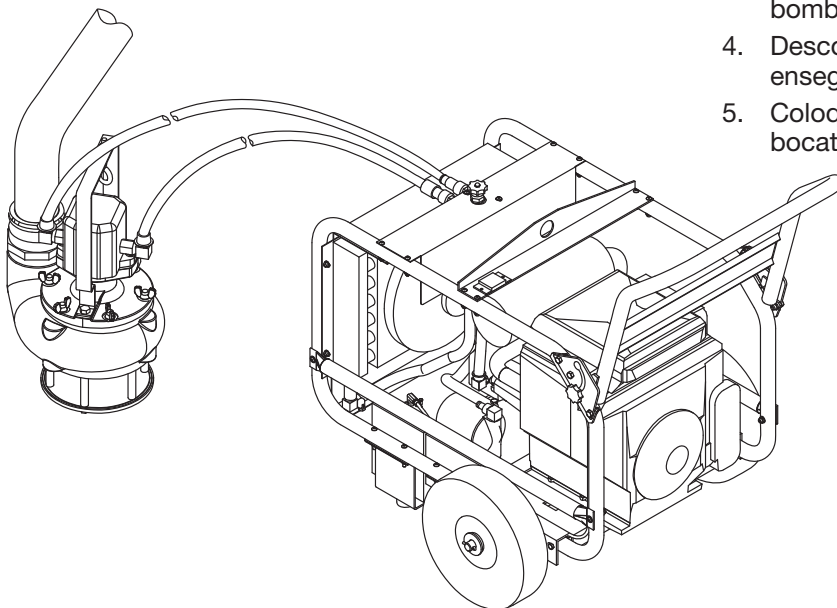
Reemplazo

Consulte el catálogo Greenlee o la publicación 99910322, "Mangueras, adaptadores y acopladores de montaje rápido a baja presión".

⚠️ ADVERTENCIA

No desconecte la bomba, las mangueras ni los accesorios mientras la fuente de potencia esté funcionando ni cuando el fluido hidráulico esté caliente. El fluido hidráulico caliente puede ocasionar quemaduras graves.

Modelo de instalación



Conexión de las mangueras

Identificación de las bocatomas de la bomba

Existen tres métodos para identificar las bocatomas de presión (suministro) y del tanque (retorno) de las bombas Greenlee. Compare las marcas en su bomba con lo indicado en esta tabla.

Bocatoma de presión (suministro)	Bocatoma de tanque (retorno)
P	T
o	
"In" (Admisión)	"Out" (Descarga)
o	
Junta tórica Boss de 3/4 pulg.-16, (bocatoma más pequeña)	Junta tórica Boss de 1-1/16 pulg.-12, (bocatoma más grande)

Conexión de las mangueras

1. Coloque la palanca de gasto –ubicada en la fuente de potencia hidráulica– en la posición de apagado (OFF).
2. Apague la fuente de potencia hidráulica.
3. Conecte la manguera del tanque a la bocATOMA del tanque (o de retorno) –ubicada en la fuente de potencia hidráulica– y enseguida, a la bocATOMA del tanque ubicada en la bomba.
4. Conecte la manguera de presión a la bocATOMA de presión –ubicada en la bomba– y enseguida, a la bocATOMA de presión ubicada en la fuente de potencia hidráulica.

Desconexión de las mangueras

1. Coloque la palanca de gasto –ubicada en la fuente de potencia hidráulica– en la posición de apagado (OFF).
2. Apague la fuente de potencia hidráulica.
3. Desconecte primero la manguera de presión de la fuente de potencia hidráulica y enseguida, de la bomba.
4. Desconecte la manguera del tanque de la bomba, y enseguida, de la fuente de potencia hidráulica.
5. Coloque las tapas guardapolvos sobre las bocATOMAS para evitar que éstas se contaminen.

Operación

⚠️ ADVERTENCIA

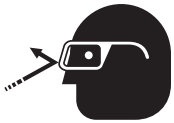
Durante el funcionamiento aléjese de la descarga de la bomba/manguera de descarga. La bomba lanzará líquidos y residuos.

De no observarse esta advertencia podrían sufrirse graves lesiones o incluso la muerte.

⚠️ ADVERTENCIA

No cambie accesorios ni inspeccione, ajuste o limpie la bomba mientras esté conectada a una fuente de potencia. El arranque accidental puede ocasionar graves lesiones.

⚠️ ADVERTENCIA



Utilice protectores para ojos al manejar o darle mantenimiento a esta herramienta.

De no utilizar protectores para ojos podría sufrir graves lesiones oculares ocasionadas si el aceite hidráulico, o restos de materiales llegaran a saltar.

⚠️ ADVERTENCIA



Peligro de inyección cutánea:

- No use las manos para localizar fugas.
- No toque la manguera ni los acopladores mientras el sistema hidráulico se encuentre presurizado.
- Purgue la presión en el sistema hidráulico antes de darle mantenimiento.

El aceite a presión perfora la piel fácilmente provocando graves lesiones, gangrena o la muerte. Si se lesiona debido a una fuga de aceite, solicite atención médica de inmediato.

1. Conecte la manguera de descarga a la bocatoma de descarga.
2. Active la fuente de potencia hidráulica.
Aviso: Espere unos minutos a que la fuente de potencia caliente el fluido hidráulico.

⚠️ ATENCIÓN

No use las mangueras hidráulicas para bajar o levantar la bomba. Esto debilitará o dañará las mangueras o los accesorios, y podría ocurrir una fuga de fluido hidráulico.

De no observarse este aviso podrían ocasionarse daños materiales.

3. Use una soga u otro dispositivo para manipular la bomba. Baje la bomba hasta el material que desee bombear.
4. Accione la válvula de control de la fuente de potencia para iniciar el flujo de fluido hidráulico.
5. Al terminar de bombear, accione la válvula de control para detener el flujo de fluido hidráulico.

Mantenimiento

Siga este calendario de mantenimiento para maximizar la vida útil de la bomba.

Aviso: Mantenga limpias y legibles todas las calcomanías y reemplácelas cuando sea necesario.

Diariamente

1. Limpie con un paño todas las superficies de la bomba.
2. Revise si las mangueras y los accesorios hidráulicos presentan signos de fugas, grietas, desgaste o daños. Reemplace según sea necesario.
3. Cuando la bomba esté desconectada, coloque las tapas guardapolvo en las bocatomas hidráulicas.

Mensualmente

1. Realice una inspección minuciosa de las mangueras y accesorios hidráulicos, según se describe en la publicación 99930323, SAE J1273 (Manguera y conjuntos de mangueras).
2. Retire y limpie las patas de la base y la placa de base. Retire cualquier material que pueda haberse acumulado cerca de la bocatoma de admisión.

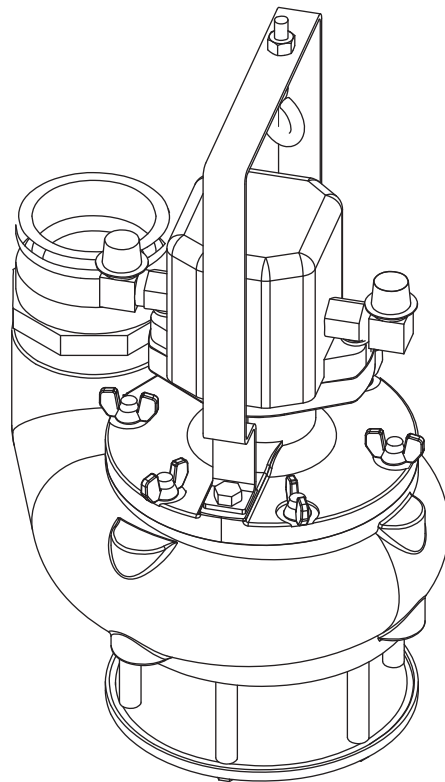
Solución de problemas

Antes de proceder a diagnosticar y solucionar la falla, determine si el problema se presenta en la bomba, en las mangueras o en la fuente de potencia. Sustituya la bomba, las mangueras o la fuente de potencia por otras que se sepa están en buenas condiciones de funcionamiento; de esta forma podrá averiguar cuál de los componentes es el que está fallando.

Si el problema está en la bomba, consulte la guía de diagnóstico y solución de fallas que se incluye a continuación. Si el problema está en la fuente de potencia, consulte la sección “Diagnóstico y solución de fallas” del manual de instrucciones de dicha fuente.

Problema	Causa probable	Posible solución
La bomba no funciona.	Fuente de potencia inadecuada.	Verifique que la fuente de potencia cumple con las especificaciones. Consulte la sección “Especificaciones” de este manual.
	El nivel del fluido hidráulico está bajo.	Revise el nivel del fluido. Revise que el sistema no presente fugas.
	La viscosidad del fluido hidráulico es errónea.	Use fluido hidráulico con la viscosidad correcta. Consulte la sección “Especificaciones” de este manual.
	Residuos acumulados en el impulsor.	Retire los residuos del impulsor.
La bomba funciona lenta o erráticamente.	El fluido hidráulico está frío.	Deje que el fluido alcance su temperatura de funcionamiento. Accione la bomba de manera intermitente para reducir el tiempo de calentamiento.
	La fuente de potencia no está ajustada correctamente.	Consulte el Manual del operador de la fuente de potencia. Seleccione el flujo y la presión que correspondan a esta bomba.
	El nivel del fluido hidráulico está bajo.	Revise el nivel del fluido. Revise que el sistema no presente fugas.
	Hay aire en el sistema hidráulico.	Consulte las instrucciones del fabricante de la fuente de potencia en relación con el procedimiento para eliminar aire del sistema.
	La viscosidad del fluido hidráulico es errónea.	Use fluido hidráulico con la viscosidad correcta. Consulte la sección “Especificaciones” de este manual.
La bomba funciona en la dirección contraria.	Las conexiones de la manguera en la bomba están invertidas.	Purgue la presión del sistema hidráulico. Cambie las conexiones de la manguera.
La bomba funciona, pero la descarga es lenta.	La bocatoma de admisión está obstruida.	Retire los residuos del área alrededor de las patas de la base y de la placa de base.
	La manguera de descarga está obstruida.	Retire y limpie la manguera.

MANUEL D'INSTRUCTIONS



Pompe à déchets submersible H4635

Code de série GKH



Lire et comprendre toutes les instructions et les informations sur la sécurité figurant dans ce manuel avant d'utiliser ou de procéder à l'entretien de cet outil.

Enregistrez votre produit en ligne, www.greenlee.com

Table des matières

Description	22
Sécurité	22
Objectif de ce manuel	22
Autres publications.....	22
Consignes de sécurité importantes.....	23–24
Identification	25
Caractéristiques	26
Tuyaux et raccords	27
Branchement des tuyaux	27
Montage type	27
Utilisation.....	28
Entretien	28
Dépannage	29
ENTRETIEN	
Démontage.....	31
Inspection.....	31
Montage	31
Illustrations et liste des pièces	32–33

Description

La pompe à déchets submersible H4635 de Greenlee est conçue pour pomper de l'eau contenant des déchets solides dans tout type d'environnement non explosif. Cette pompe fonctionne avec des systèmes hydrauliques à centre ouvert ou à centre fermé.

Le mécanisme de pompage à autoamorçage est silencieux, fonctionne efficacement et comporte un moteur hydraulique à engrenages et à entraînement direct très robuste. Des joints lubrifiés à l'huile empêchent l'endommagement de la pompe si, par accident, elle fonctionne à sec.

Sécurité

Lors de l'utilisation et de l'entretien des outils et de l'équipement de Greenlee, la sécurité est essentielle. Les instructions de ce manuel et celles qui sont inscrites sur l'outil fournissent des informations qui permettent d'éviter les dangers et les manipulations dangereuses liés à l'utilisation de cet outil. Veiller à respecter toutes les consignes de sécurité.

Objectif de ce manuel

Ce manuel est conçu pour que le personnel puisse se familiariser avec les procédures de fonctionnement et d'entretien en toute sécurité de l'outil de Greenlee suivant :

H4635 (49334) Pompe à déchets submersible
Code de série GKH

Mettre ce manuel à la disposition de tous les employés.

Des exemplaires gratuits peuvent être obtenus sur simple demande au site www.greenlee.com.

Autres publications

Norme SAE J1273 (Tuyaux et assemblages de tuyaux) :
Publication 99930323

Toutes les caractéristiques sont nominales et peuvent changer conjointement aux améliorations apportées. Greenlee Tools, Inc. décline toute responsabilité pour les dommages résultant d'un emploi détourné ou abusif de ses produits.

Loctite est une marque de commerce déposée de Henkel Corp.

CONSERVER CE MANUEL

CONSIGNES DE SÉCURITÉ IMPORTANTES



SYMBOLE D'AVERTISSEMENT

Ce symbole met en garde contre les risques et les manipulations dangereuses pouvant entraîner des blessures ou des dégâts matériels. Les mots indicateurs ci-dessous définissent la gravité du danger, et sont suivis d'informations permettant de prévenir ou d'éviter le danger.

⚠ DANGER

Danger immédiat qui, s'il n'est pas évité, ENTRAÎNERA des blessures graves, voire mortelles.

⚠ AVERTISSEMENT

Danger qui, s'il n'est pas évité, POURRAIT entraîner des blessures graves, voire mortelles.

⚠ ATTENTION

Dangers ou manipulations dangereuses qui, s'ils ne sont pas évités, POURRAIENT ÉVENTUELLEMENT entraîner des blessures graves, voire mortelles.

⚠ AVERTISSEMENT

Risque d'injection sous-cutanée :

- Ne jamais utiliser les mains pour déterminer l'emplacement d'une fuite.
- Ne jamais tenir un tuyau ou un raccord de tuyau dans les mains lorsque le système hydraulique est pressurisé.
- Dépressuriser le système hydraulique avant d'en effectuer l'entretien.



Un jet d'huile sous pression peut facilement percer la peau et entraîner de graves blessures, la gangrène, voire la mort. En cas de blessure par un jet d'huile, consulter immédiatement un médecin.

⚠ AVERTISSEMENT

Pomper uniquement de l'eau.

- Ne pas utiliser pour pomper de l'eau potable.
- Ne pas utiliser pour éteindre des feux.

Le non-respect de ces consignes pourrait entraîner des blessures graves, voire mortelles.

⚠ AVERTISSEMENT

Se tenir à distance du tuyau de sortie/d'évacuation de la pompe lorsqu'elle fonctionne, car du liquide et des débris sont projetés par la pompe.

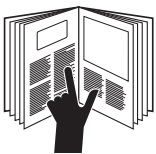
Le non-respect de cette consigne pourrait entraîner des blessures graves, voire mortelles.

⚠ AVERTISSEMENT

Ne pas démarrer la pompe si l'aubage du rotor est à découvert. Ne pas faire fonctionner la pompe sans que les pieds et le socle soient en place.

Le non-respect de ces consignes pourrait entraîner des blessures graves, voire mortelles.

⚠ AVERTISSEMENT



Lire et comprendre toutes les instructions et les informations sur la sécurité figurant dans ce manuel avant d'utiliser ou de procéder à l'entretien de cet outil.

Le non-respect de cette consigne pourrait entraîner des blessures graves, voire mortelles.

⚠ AVERTISSEMENT



Veiller à porter des lunettes de protection lors de l'utilisation ou de l'entretien de cet outil.

Négliger de porter des lunettes de protection pourrait entraîner des blessures oculaires graves causées par la projection de débris ou d'huile hydraulique.

CONSIGNES DE SÉCURITÉ IMPORTANTES

⚠️ AVERTISSEMENT

Ne pas dépasser les quantités maximales de source d'alimentation hydraulique suivantes :

- Débit hydraulique : 37,9 l/min (10 gpm)
- Pression de décharge : 172 bars (2 500 psi)
- Contre-pression : 13,8 bars (200 psi)

Le non-respect de cette consigne pourrait entraîner des blessures graves, voire mortelles.

⚠️ AVERTISSEMENT

Ne jamais débrancher l'outil, les tuyaux ou les raccords lorsque l'appareil est alimenté ou lorsque le liquide hydraulique est chaud, car le liquide hydraulique chaud peut provoquer de graves brûlures.

⚠️ AVERTISSEMENT

Ne jamais inverser le sens du débit hydraulique, car l'inversion du sens du débit hydraulique pourrait causer un mauvais fonctionnement de l'outil. Veiller à raccorder le tuyau de pression (alimentation) et le réservoir (retour) aux orifices appropriés.

Le non-respect de ces consignes pourrait entraîner des blessures graves, voire mortelles.

⚠️ AVERTISSEMENT

Ne pas changer les accessoires de l'outil et ne pas inspecter, régler ni nettoyer l'outil lorsqu'il est branché à une source d'alimentation électrique. Un démarrage accidentel pourrait entraîner de graves blessures.

⚠️ ATTENTION

L'huile hydraulique peut provoquer une irritation de la peau.

- Manipuler les tuyaux et l'outil avec précaution pour éviter un contact cutané avec l'huile hydraulique.
- En cas de contact cutané accidentel avec l'huile hydraulique, laver immédiatement la partie affectée pour enlever l'huile.

Le non-respect de ces consignes peut entraîner des blessures graves.

⚠️ CAUTION

- Vérifier l'outil avant de l'utiliser. Remplacer les pièces usées ou endommagées. Le fonctionnement d'un outil dont les pièces sont endommagées ou qui n'a pas été correctement monté peut être défectueux et blesser les personnes se tenant à proximité.
- Inspecter les tuyaux hydrauliques et les raccords chaque jour de fonctionnement. En cas de constatation de fuite, de fissure, d'usure ou d'endommagement, réparer ou remplacer le cas échéant. Les tuyaux ou raccords endommagés peuvent subir une défaillance et entraîner des blessures ou des dégâts matériels.
- Utiliser cet outil aux fins prévues par le fabricant uniquement. L'utilisation à d'autres fins que celles prévues dans ce manuel peut provoquer des blessures ou des dégâts matériels.
- S'assurer que toutes les personnes alentour se tiennent à bonne distance de la zone de travail lors de la manipulation, du démarrage et du fonctionnement de l'outil. Les personnes se tenant à proximité peuvent être blessées par la projection de débris ou par la projection de pièces en cas de fonctionnement défectueux de l'outil.

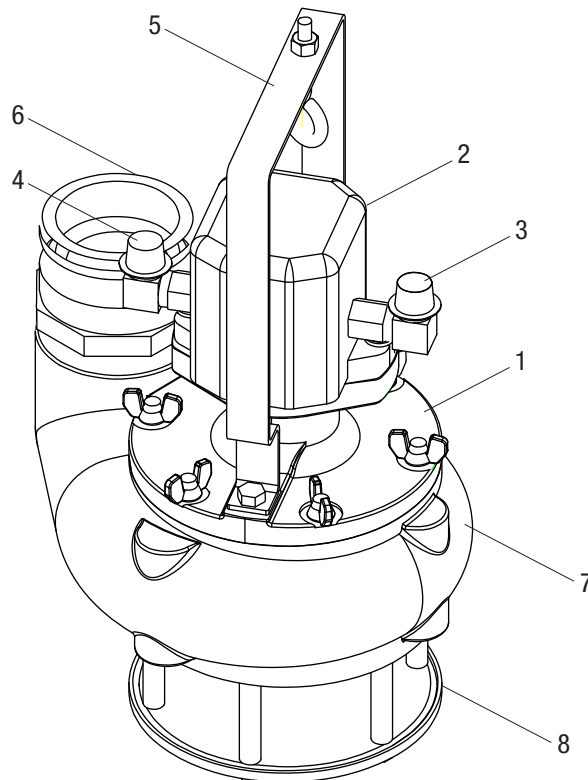
IMPORTANT

Procédure de branchement ou de débranchement des tuyaux hydrauliques, de leurs raccords et de leurs composants :

1. Placer le levier d'écoulement de la source d'alimentation hydraulique en position d'ARRÊT (OFF).
2. Couper la source d'alimentation hydraulique.
3. Suivre la séquence indiquée dans la rubrique « Branchement des tuyaux » pour éviter une montée en pression. Au cas où la pression aurait augmenté, desserrer lentement les tuyaux, les raccords ou les composants.

Remarque : Conserver toutes les décalcomanies dans un état propre et lisible et les remplacer au besoin.

Identification



Pompe à déchets submersible H4635

- | | |
|--|-------------------------|
| 1. Étiquette du numéro de série | 5. Poignée |
| 2. Moteur hydraulique | 6. Orifice d'évacuation |
| 3. Orifice du réservoir hydraulique « T »
(retour) | 7. Boîtier |
| 4. Orifice de pression hydraulique « P »
(alimentation) | 8. Pieds et socle |

Caractéristiques

H4635

Type de système hydraulique : Centre ouvert ou centre fermé

Orifices hydrauliques :

- Pression (alimentation) : 1/2 po mâle NPT
- Réservoir (retour) : 1/2 po mâle NPT

Débit : Consulter le « Graphique des performances » ci-dessous

Masse/poids : 10,9 kg (24 lb)

Largeur (diamètre) : 301 mm (11,87 po)

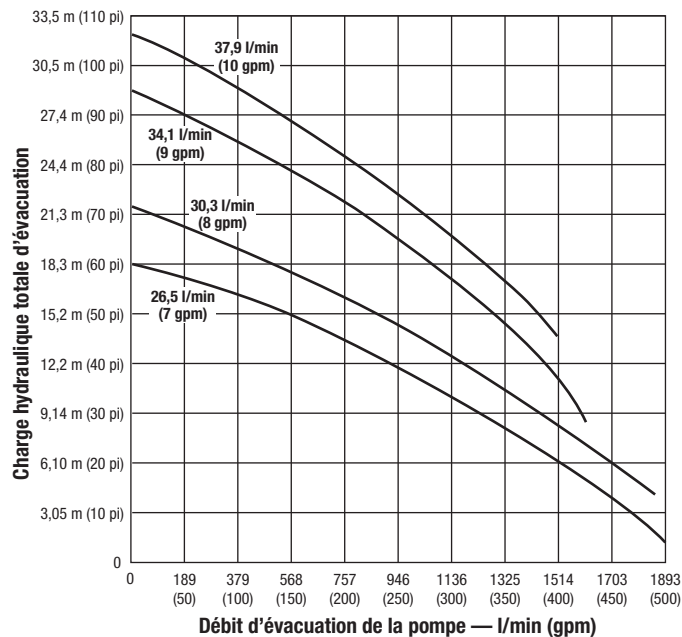
Hauteur (avec la poignée) : 360 mm (14,18 po)

Diamètre maximal du déchet : 63,5 mm (2,5 po)

Orifice d'admission de la pompe : 79,4 mm (3,125 po)

Orifice d'évacuation de la pompe : 3 po femelle NPT

Graphique des performances



Source d'alimentation hydraulique

⚠️ AVERTISSEMENT

Ne pas dépasser les quantités maximales de source d'alimentation hydraulique suivantes :

- Débit hydraulique : 37,9 l/min (10 gpm)
- Pression de décharge : 172 bars (2 500 psi)
- Contre-pression : 13,8 bars (200 psi)

Le non-respect de cette consigne pourrait entraîner des blessures graves, voire mortelles.

Source d'alimentation hydraulique (suite)

Type de système hydraulique : Centre ouvert ou centre fermé

Débit :

- Minimum : 26,5 l/min (7 gpm)
- Recommandé : 30,3 à 37,9 l/min (8 à 10 gpm)
- Maximum : 37,9 l/min (10 gpm)

Filtration : 10 microns (nominal)

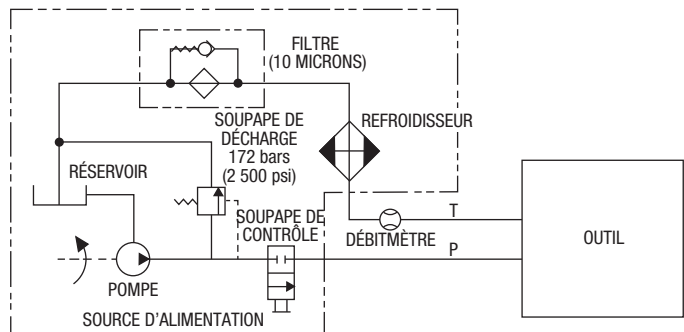
Réglage de la pression de décharge : 172 bars (2 500 psi)

Contre-pression (maximum)* : 13,8 bars (200 psi)

* 13,8 bars (200 psi) est la contre-pression standard maximale acceptée par la HTMA (Hydraulic Tool Manufacturers Association / Association des fabricants d'outils hydrauliques). L'outil de Greenlee fonctionne parfaitement avec cette contre-pression.

1. La température maximale du liquide hydraulique ne peut excéder 60 °C (140 °F). Une capacité suffisante de refroidissement de l'huile est nécessaire pour limiter la température du liquide hydraulique.
2. Le débit hydraulique ne doit pas dépasser 37,9 l/min (10 gpm). Installer un débitmètre dans le tube de retour afin de mesurer le débit hydraulique avant d'utiliser l'outil.
3. Le réglage de la soupape de décharge ne doit pas dépasser 172 bars (2 500 psi) lors du débit maximal de l'outil. Repérer l'emplacement de la soupape de décharge au sein du circuit d'alimentation afin que la pompe ne subisse pas une pression hydraulique excessive.

Schéma hydraulique



Liquides hydrauliques recommandés

Utiliser n'importe quel liquide hydraulique non détergent dérivé du pétrole répondant aux caractéristiques suivantes ou à celles qui sont spécifiées par l'association HTMA.

S.U.S @:

38 °C (100 °F) : 140 à 225

99 °C (210 °F) : 40 minimum

Point d'éclair : 170 °C (340 °F) minimum

Point d'écoulement : -34 °C (-30 °F) minimum

Tuyaux et raccords

Installation et entretien

Consulter la publication 99930323, SAE J1273 (Tuyaux et assemblages de tuyaux).

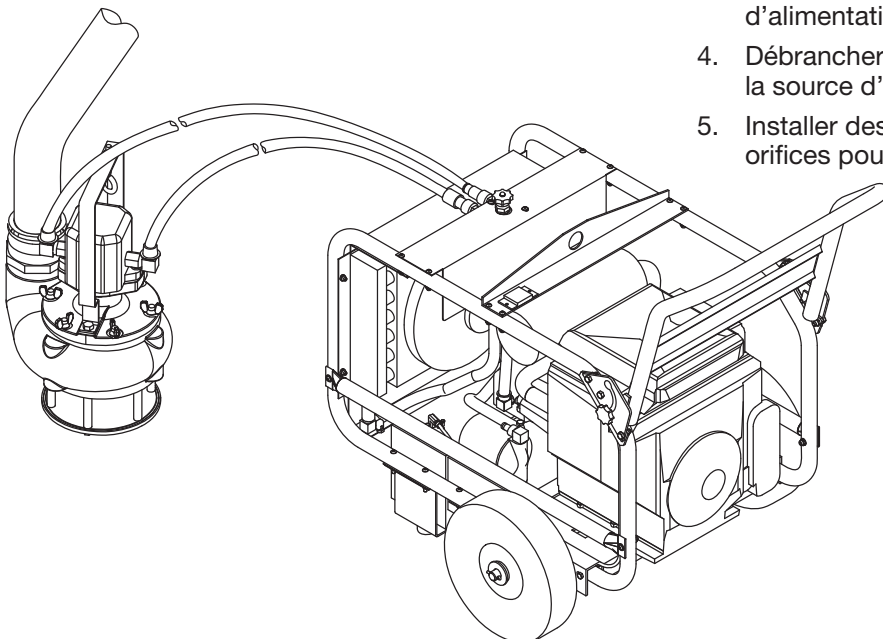
Remplacement

Consulter un catalogue de Greenlee ou la publication 99910322, « Dispositifs d'attache rapide, adaptateurs et tuyaux de basse pression ».

⚠️ AVERTISSEMENT

Ne jamais débrancher l'outil, les tuyaux ou les raccords lorsque l'appareil est alimenté ou lorsque le liquide hydraulique est chaud, car le liquide hydraulique chaud peut provoquer de graves brûlures.

Montage type



Branchement des tuyaux

Identification des orifices de l'outil

Trois méthodes sont utilisées pour identifier les orifices de pression (alimentation) et du réservoir (retour) des outils de Greenlee. Comparer les marques sur l'outil aux indications du tableau suivant.

Orifice de pression (alimentation)	Orifice du réservoir (retour)
P	T
ou	
In (Entrée/Admission)	Out (Sortie/Évacuation)
ou	
3/4-16 Joint torique Boss (petit orifice)	1-1/16-12 Joint torique Boss (grand orifice)

Branchement des tuyaux

1. Placer le levier d'écoulement de la source d'alimentation hydraulique en position d'ARRÊT (OFF).
2. Couper la source d'alimentation hydraulique.
3. Brancher le tuyau du réservoir sur l'orifice du réservoir (retour) de la source d'alimentation, puis sur l'orifice du réservoir de l'outil.
4. Brancher le tuyau de pression sur l'orifice de pression de l'outil, puis sur l'orifice de pression (alimentation) de la source d'alimentation hydraulique.

Débranchement des tuyaux

1. Placer le levier d'écoulement de la source d'alimentation hydraulique en position d'ARRÊT (OFF).
2. Couper la source d'alimentation hydraulique.
3. Débrancher le tuyau de pression de la source d'alimentation hydraulique, puis de l'outil.
4. Débrancher le tuyau du réservoir de l'outil, puis de la source d'alimentation hydraulique.
5. Installer des capuchons antipoussière sur les orifices pour éviter toute contamination.

Utilisation

⚠️ AVERTISSEMENT

Se tenir à distance du tuyau de sortie/d'évacuation de la pompe lorsqu'elle fonctionne, car du liquide et des débris sont projetés par la pompe.

Le non-respect de cette consigne pourrait entraîner des blessures graves, voire mortelles.

⚠️ AVERTISSEMENT

Ne pas changer les accessoires de l'outil et ne pas inspecter, régler ni nettoyer l'outil lorsqu'il est branché à une source d'alimentation électrique. Un démarrage accidentel pourrait entraîner de graves blessures.

⚠️ AVERTISSEMENT



Veiller à porter des lunettes de protection lors de l'utilisation ou de l'entretien de cet outil.

Négliger de porter des lunettes de protection pourrait entraîner des blessures oculaires graves causées par la projection de débris ou d'huile hydraulique.

⚠️ AVERTISSEMENT



Risque d'injection sous-cutanée :

- Ne jamais utiliser les mains pour déterminer l'emplacement d'une fuite.
- Ne jamais tenir un tuyau ou un raccord de tuyau dans les mains lorsque le système hydraulique est pressurisé.
- Dépressuriser le système hydraulique avant d'en effectuer l'entretien.

Un jet d'huile sous pression peut facilement percer la peau et entraîner de graves blessures, la gangrène, voire la mort. En cas de blessure par un jet d'huile, consulter immédiatement un médecin.

1. Brancher le tuyau d'évacuation sur l'orifice d'évacuation.
2. Démarrer la source d'alimentation.

Remarque : Laisser la source d'alimentation fonctionner pendant quelques minutes pour réchauffer le liquide hydraulique.

⚠️ ATTENTION

Ne pas utiliser les tuyaux hydrauliques pour immerger la pompe ou la soulever. Cela affaiblirait ou endommagerait les tuyaux ou les raccords et pourrait provoquer une fuite de liquide hydraulique.

Le non-respect de cette consigne peut entraîner des dégâts matériels.

3. Attacher une corde ou quelque chose de similaire à la poignée de la pompe. Immerger la pompe dans le liquide devant être pompé.
4. Déclencher la soupape de contrôle de la source d'alimentation pour permettre l'écoulement du liquide hydraulique.
5. Lorsque le pompage est terminé, déclencher à nouveau la soupape de contrôle pour arrêter l'écoulement du liquide hydraulique.

Entretien

Respecter ce programme d'entretien afin de maximiser la durée de vie de l'outil.

Remarque : Conserver toutes les décalcomanies dans un état propre et lisible et les remplacer au besoin.

Quotidien

1. Essuyer toutes les surfaces de l'outil.
2. S'assurer que les tuyaux hydrauliques et les raccords ne fuient pas, qu'ils ne sont ni fissurés, ni usés ni endommagés. Remplacer au besoin.
3. Lorsque l'outil est débranché, couvrir les orifices hydrauliques avec des capuchons antipoussière.

Mensuel

1. Inspecter soigneusement les tuyaux et les raccords hydrauliques en suivant les instructions de la publication 99930323, SAE J1273 (Tuyaux et assemblage de tuyaux).
2. Retirer et nettoyer les pieds et le socle. Enlever tous les débris ayant pu s'accumuler près de l'orifice d'admission.

Dépannage

Avant d'utiliser le tableau de dépannage, il importe de déterminer si le problème provient de l'outil, des tuyaux ou de la source d'alimentation. Remplacer ces éléments par un outil, des tuyaux ou une source d'alimentation dont le bon fonctionnement a été vérifié afin de déterminer l'élément qui ne fonctionne pas.

Si l'outil a causé la panne, consulter le tableau de dépannage ci-dessous. Si le problème provient de la source d'alimentation, consulter la section de dépannage du manuel d'utilisation de la source d'alimentation.

Problème	Cause probable	Solution probable
L'outil ne fonctionne pas.	La source d'alimentation est inadéquate.	Vérifier si la source d'alimentation est conforme aux caractéristiques. Consulter la section « Caractéristiques » de ce manuel.
	Le niveau du liquide hydraulique est bas.	Vérifier le niveau du liquide hydraulique. Vérifier s'il y a des fuites dans le système.
	La viscosité du liquide hydraulique est inadéquate.	Utiliser un liquide hydraulique de viscosité adéquate. Consulter la section « Caractéristiques » de ce manuel.
	Des débris sont coincés dans le rotor.	Enlever les débris du rotor.
L'outil fonctionne lentement ou de façon erratique.	Le liquide hydraulique est froid.	Laisser le liquide se réchauffer à la température de fonctionnement. Activer l'outil de façon intermittente pour réduire le temps de réchauffement.
	La source d'alimentation n'est pas réglée correctement.	Consulter le manuel d'utilisation de la source d'alimentation. Régler le débit et la pression de façon adéquate pour l'outil.
	Le niveau du liquide hydraulique est bas.	Vérifier le niveau du liquide hydraulique. Vérifier s'il y a des fuites dans le système.
	Il y a de l'air dans le système hydraulique.	Consulter le manuel d'instructions du fabricant de la source d'alimentation pour évacuer l'air du système.
	La viscosité du liquide hydraulique est inadéquate.	Utiliser un liquide hydraulique de viscosité adéquate. Consulter la section « Caractéristiques » de ce manuel.
L'outil fonctionne à l'envers.	Les branchements des tuyaux sont inversés sur l'outil.	Dépressuriser le système hydraulique. Inverser les branchements des tuyaux.
L'outil fonctionne mais l'évacuation est lente.	L'orifice d'admission est bouché.	Enlever les débris présents autour des pieds et du socle.
	Le tuyau d'évacuation est bouché.	Enlever et nettoyer le tuyau.

SERVICE

Disassembly

Complete disassembly of the tool is not recommended. If a complete overhaul is necessary, return the tool to your nearest Greenlee Authorized Service Center.

The disassembly procedure is divided into sections of the tool. Disassemble only the section(s) necessary to complete the repair.

Disassemble the tool on a flat, clean surface. Take care not to lose or damage any parts that may fall free during disassembly.

Base

1. Remove six cap screws (9), and lock washers (21).
2. Remove base (8), and bushings (20).

Discharge Coupling, Handle, and Cover

1. Remove discharge coupling (14) from housing (2), if necessary.
2. Remove two cap screws (10) and lock washers (18). Remove handle (5) from cover (4).
3. Remove six wing nuts (11). Remove cover (4) from housing (2).
4. Remove six studs from housing (2), if necessary.

Impeller

1. Lock impeller (6) in place by inserting a screwdriver between the blades. Remove cap screw (19) and cone washer (3).
2. Unscrew the impeller (6) to remove from the drive shaft (27).

Inspection

Clean all parts with solvent and dry them thoroughly. Inspect each component as follows:

- Bearings: Insert shaft into bearing. Spin shaft. If shaft does not spin smoothly, replace the bearings and the shaft.
- Inspect all disassembled components for cracks, grooves, chips, or nicks.

Assembly

Refer to the Illustration and Parts List for correct orientation and placement of parts.

Replace any O-rings, V-rings, seals, and gaskets on parts that have been disassembled. Apply hydraulic fluid or O-ring lubricant to all O-rings and all metal surfaces which they must slide over. When installing an O-ring which must slide over sharp surfaces, use a rolling motion and be careful not to damage the O-ring.

Assembly (cont'd)

Wherever the assembly results in metal-to-metal contact, coat the surfaces with hydraulic fluid or O-ring lubricant.

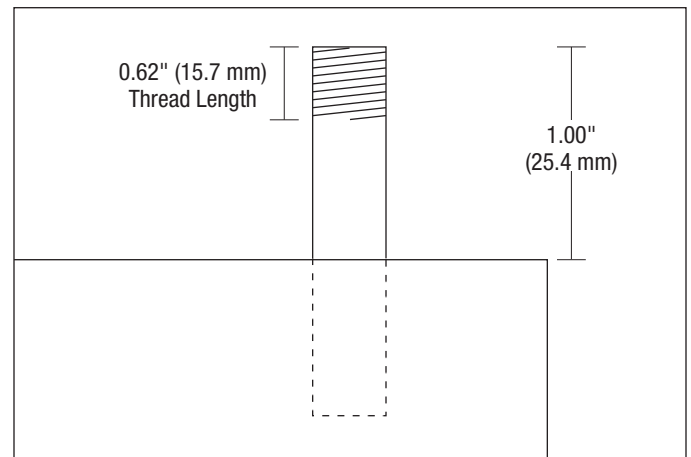
When instructed to use a thread locking compound or other adhesive product, follow the manufacturer's instructions for curing.

Impeller

1. Apply an anti-seize compound to the threads of the motor shaft. Install the impeller onto the drive shaft. Tighten the impeller securely.
2. Apply Loctite® 242 Threadlocker to the threads of the cap screw (19). Install the cap screw and cone washer (3) on the end of the motor shaft. Lock the impeller blades by inserting a screwdriver between the blades and tighten the cap screw.

Discharge Coupling, Handle and Cover

1. Apply Loctite 271 Threadlocker, or equivalent, to the threads of the studs, if removed. Install six studs so 1" of stud is exposed above the housing (2), (refer to illustration). Follow the manufacturer's instructions for curing. Assemble the cover (4) to the housing (2) with six wing nuts (11).
2. Assemble the handle (5) to the cover (4) using two cap screws (10) and lock washers (18).
3. Install the discharge coupling (14) to the housing (2), if removed. Tighten securely.



Base

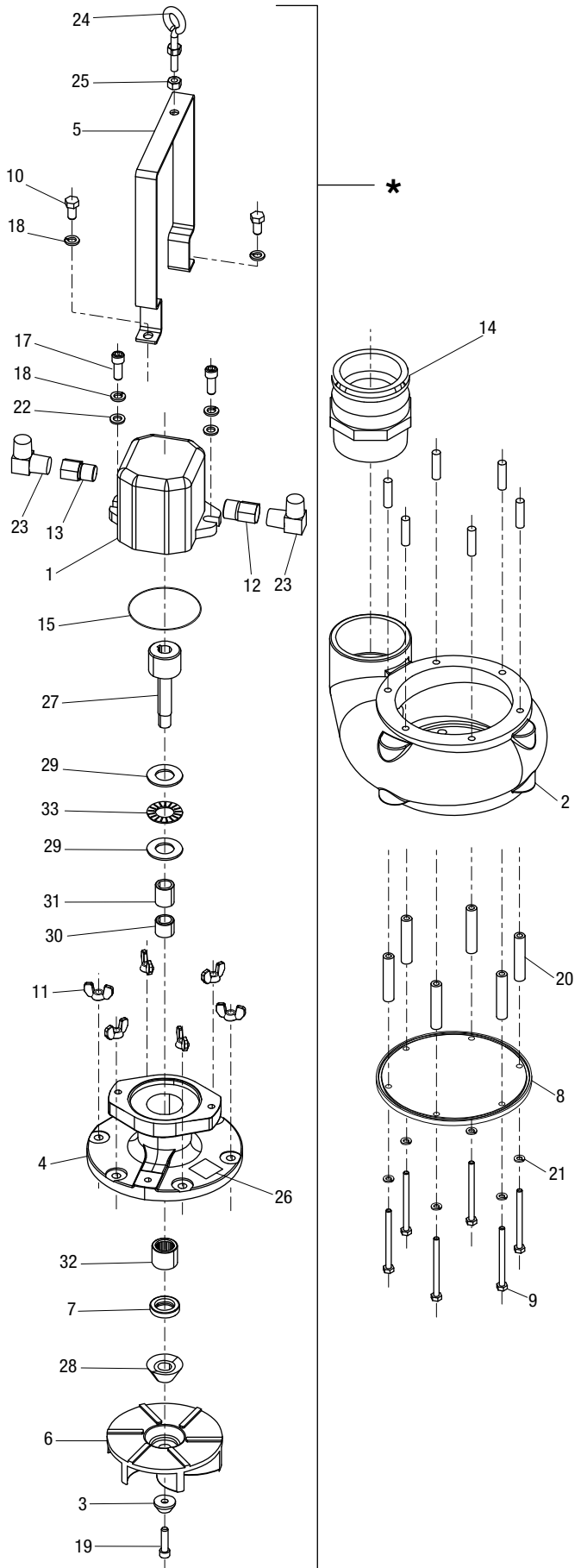
1. Position the housing upside down (with the suction port upward). Place six bushings (20) over the six threaded holes in the housing.
2. Position the base (8) (with the groove of the base downward) over the bushings and align the holes in the base with the bushings. Install six cap screws (9) with lock washers (21). Tighten securely.

Illustration and Parts List

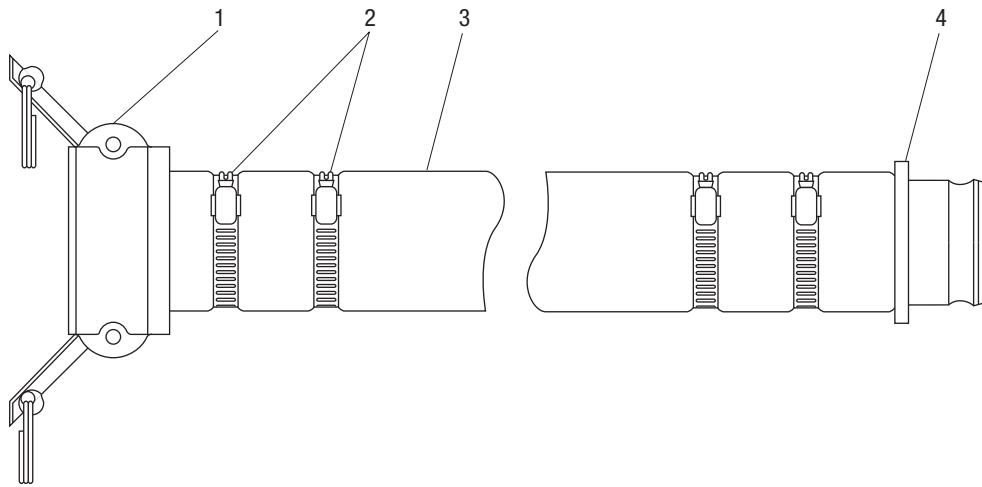
Key	UPC No. 78-3310-	Part No.	Description	Qty
1*	50121	90501217	Hydraulic motor	1
2	49496	50494961	Housing (includes next two items).....	1
			Volute	1
			Stud, 3/8-16 x 1.50, stainless steel	6
3*	49301	50493019	Washer, cone	1
4*	46333	50463330	Plate, cover	1
5*	46335	50463357	Handle.....	1
6*	49315	50493159	Impeller	1
7*	50139	90501390	Seal	1
8	49494	50494945	Base	1
9	55076	90550765	Screw, cap, 1/4-20 x 3.25, hex head, stainless steel.....	6
10*			Screw, cap, 3/8-16 x .750, hex head, stainless steel.....	2
11*	55078	90550781	Nut, wing, 3/8-16, stainless steel	6
12*	50141	90501411	Adapter, 1-1/16 male SAE x 1/2 female NPT	1
13*	44135	50441353	Adapter, 7/8-14 male SAE x 1/2 female NPT.....	1
14	55081	90550811	Coupling, cam locking, #30F male	1
15*	42094	50420942	O-ring, 3.25 x 3.375 x .062 - 70D.....	1
17*			Screw, cap, 3/8-16 x 1.00, hex head, stainless steel.....	2
18*			Washer, lock, .375, stainless steel	4
19*			Screw, cap, 5/16-18 x 1.25, socket head, stainless steel.....	1
20	43079	50430793	Bushing, .500 x 2.4375, aluminum	6
21	42813	50428131	Washer, lock, .250, stainless steel	6
22*			Washer, .375, flat, stainless steel.....	2
23*	43186	50431862	90° Elbow, 1/2 male NPT x 1/2 male NPT	2
24*	55515	90555159	Eyebolt with nut, 3/8-16 x 3.50	1
25*			Nut, hex, 3/8-16	1
26*	41547	50415471	Decal, Greenlee	1
27*	46334	50463349	Shaft, drive.....	1
28*	46336	50463365	Guard, seal.....	1
29*	50142	90501420	Washer, thrust	2
30*	50156G	90501560	Race, short bearing	1
31*	50162	90501624	Race, long bearing.....	1
32*	50173	90501730	Bearing, caged retained rollers.....	1
33*	50187	90501870	Bearing, thrust, needle.....	1

Kit

*	11139	50111396	Pump retrofit kit (includes items marked with an asterisk)
---	-------	----------	--



Accessories



Key	Part No.	Description	Qty
	50494996	Hose assembly, heavy-duty discharge	
1	90551303	Coupling, cam lock	1
2		Clamp, hose, 3"	4
3		Hose, discharge, 3" x 300"	1
4	90552105	Coupling, male	1



4455 Boeing Drive • Rockford, IL 61109-2988 • USA • 815-397-7070
©2019 Greenlee Tools, Inc. • An ISO 9001 Company

www.greenlee.com

USA Tel: 800-435-0786
Fax: 800-451-2632

Canada Tel: 800-435-0786
Fax: 800-524-2853

International Tel: +1-815-397-7070
Fax: +1-815-397-9247