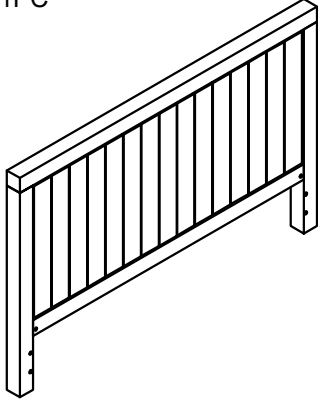


HEATH FULL/QUEEN/ E.KING/ CAL KING BED ASSEMBLY INSTRUCTIONS



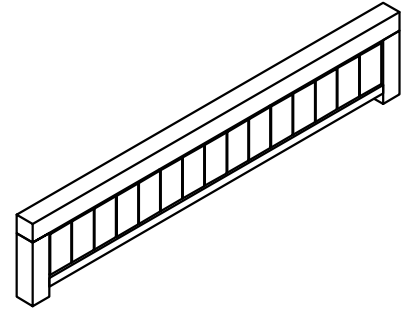
BOX #1:

A - HEADBOARD: 1PC



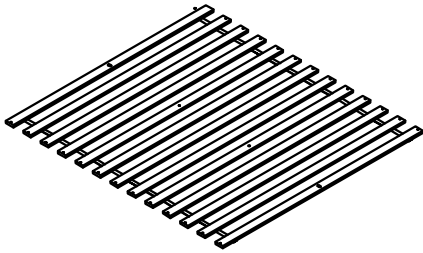
BOX #2:

B - FOOTBOARD: 1PC



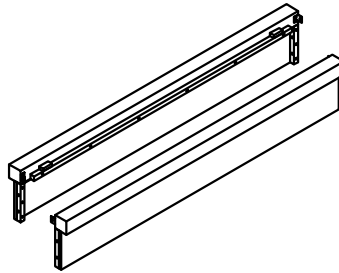
BOX #3:

C - SLAT ROLL: 1SET (13 SLATS)



BOX #4:

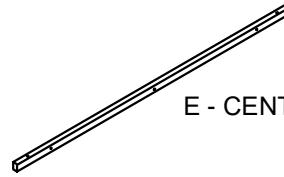
D - SIDE RAIL: 2PCS



F - SUPPORT LEG: 3PCS



E - CENTER RAIL: 1PC

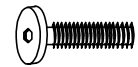


HARDWARE PACKED IN BOX #3

① ALLEN BOLT (8x60mm): 8PCS



② ALLEN BOLT (6x30mm): 5PCS



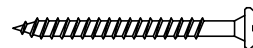
③ FLAT WASHER (M8): 12PCS



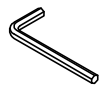
④ LOCK WASHER (M8): 12PCS



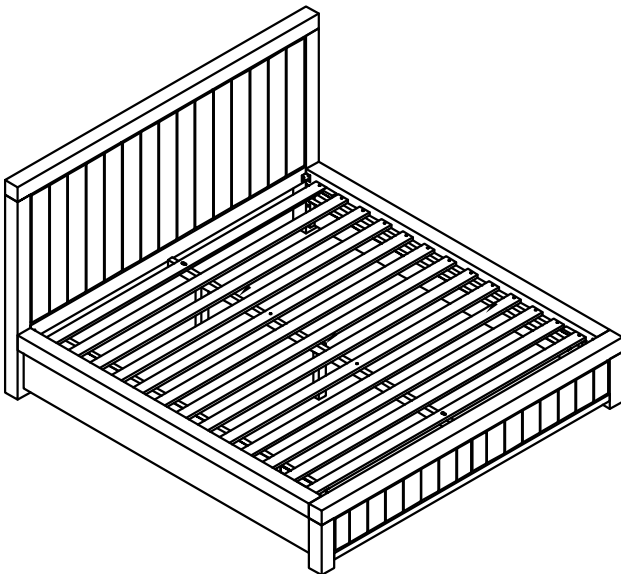
⑤ WOOD SCREW (4x30mm): 28PCS



⑥ ALLEN KEY : 1PC



⑦ ALLEN BOLT (8x25mm): 4PCS

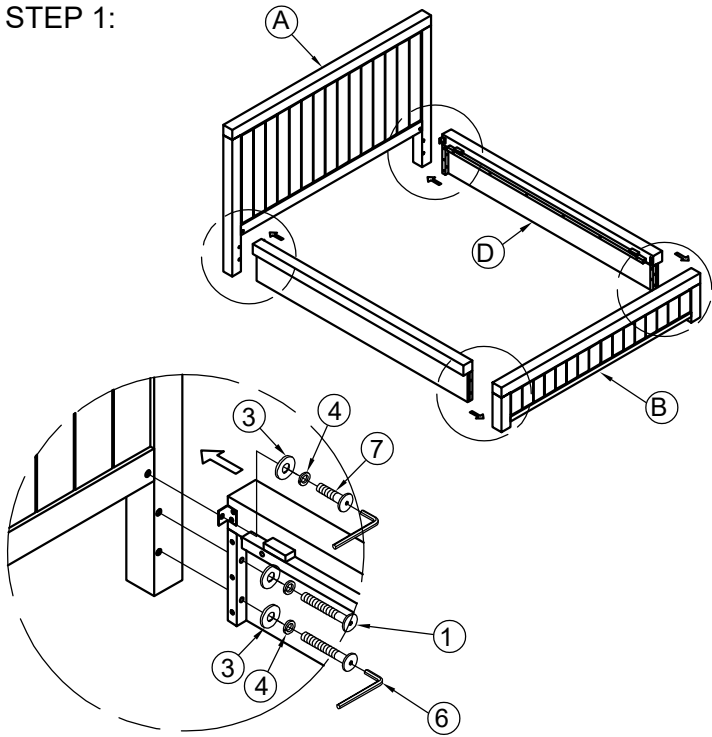


TOOL REQUIRED: PHILLIPS-HEAD SCREWDRIVER (NOT PROVIDED).

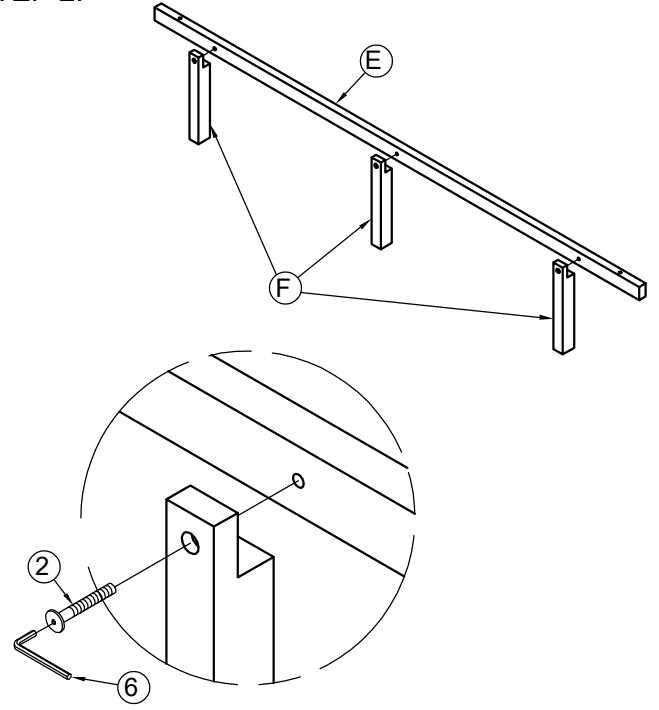
HEATH FULL/QUEEN/ E.KING/ CAL KING BED ASSEMBLY INSTRUCTIONS



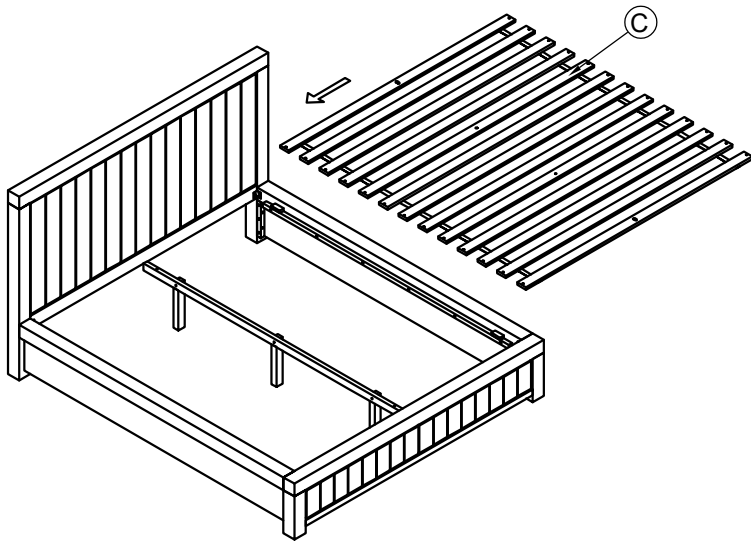
STEP 1:



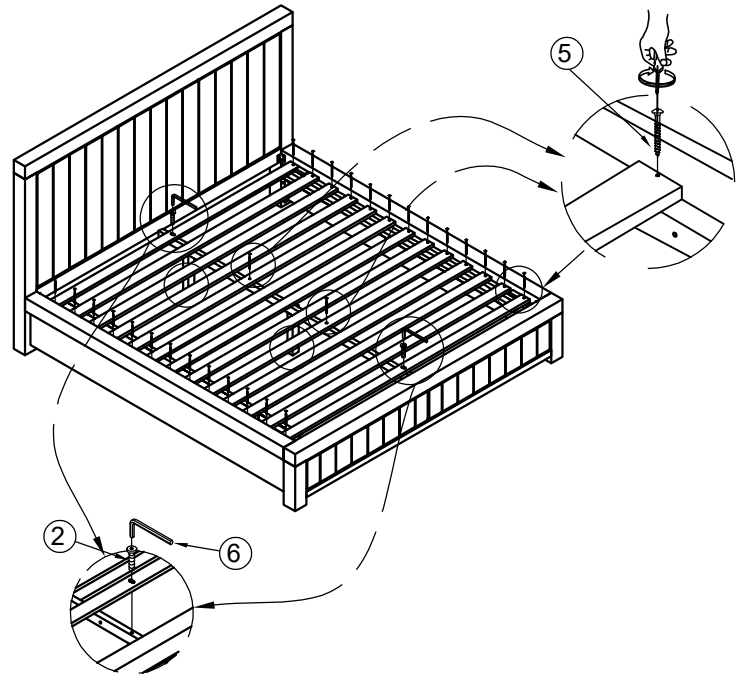
STEP 2:



STEP 3:



STEP 4:

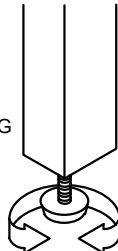


INSTRUCTIONS FOR ADJUSTING LEVELER:

POSITION THE BED IN YOUR SPACE AND LOCATE THE LEVELER UNDER EACH SUPPORT LEG.

TURN THE LEVELER COUNTER- CLOCKWISE TO EXTEND THE LEVELER AND CLOCKWISE TO RETRACT IT.

ADJUST EACH LEVELER UNTIL EACH SUPPORT LEG IS APPLYING EQUAL, UPWARD PRESSURE ON THE BED SUPPORT SLAT.



MAINTENANCE INSTRUCTION:

- REMOVE BOX SPRING AND MATTRESS BEFORE MOVING YOUR BED.
- LIFT YOUR BED WHEN MOVING IT. DRAGGING CAN DAMAGE THE SUPPORT LEG .
- READJUST LEVELERS AFTER MOVING YOUR BED.