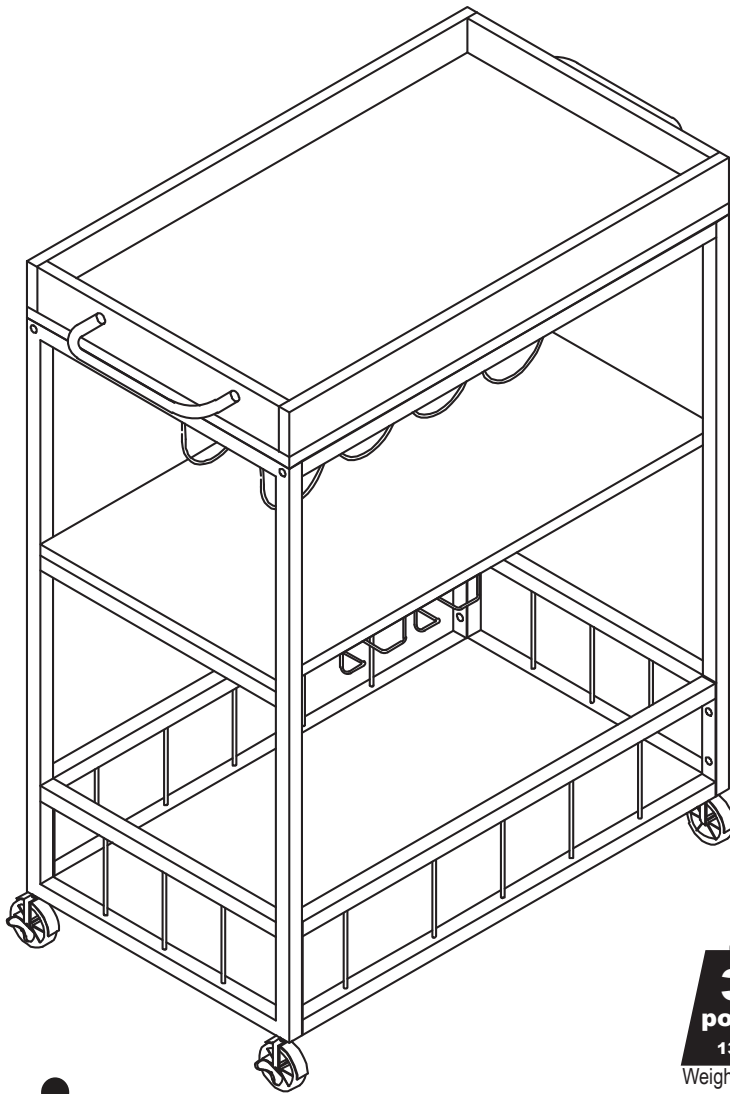


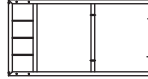







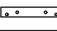
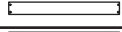

Thank you for choosing Sunnydaze Decor. We stand behind our brand and the quality of the items we sell. Replacement parts or products will be sent at our discretion within the 1-year warranty period. Proof of purchase, with the date of purchase as well as photos of the merchandise defect, must be provided. Photos are used to determine the cause of defects and for future quality control. Register your warranty at <https://tiny.cc/SunnydazeWarranty>. If you have any questions, comments or concerns, feel free to contact us by phone at 833-982-1977, by email: customerservice@sunnydazedecor.com, or via our contact us page at <https://tiny.cc/SunnydazeContact>

KITCHEN BAR CART WITH WHEELS

Read all assembly and care instructions carefully before using this product. Save this document for future reference. Assemble components on a soft, clean surface to avoid scratching or damaging the finish.




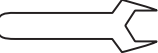
Inspect packaging to ensure all parts are accounted for before disposing of packing materials.

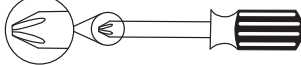
No.	PARTS		QTY.
1		Cart End Panel	2
2		Bottom Rail	2
3		Top Frame	1
4		Middle Shelf	1
5		Bottom Shelf	1
6		Handle	2
7		Bottle Rack	2
8		Stemware Holder	1
9		Top Shelf End Panel	2
10		Top Shelf Side Panel	2
11		Top Shelf	1

30
pounds
13.6 kg
Weight Capacity
per Shelf






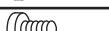

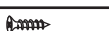


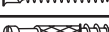

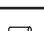


2-PERSON
ASSEMBLY
RECOMMENDED

INCLUDED TOOLS	
	Hex Key
	Spanner

TOOLS REQUIRED (not included)	
	Phillips Screwdriver

! WARNING !

CHOKING HAZARD — This item contains small parts that can be swallowed by children. Keep children away during assembly.

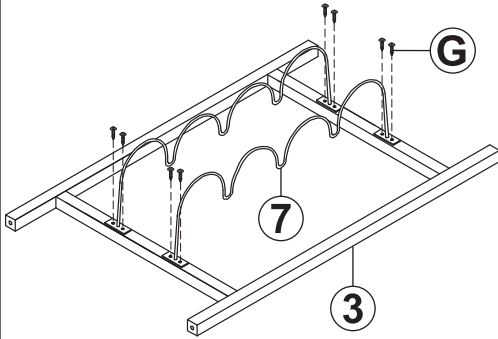
No.	HARDWARE		QTY.
A		M6 x 40mm Bolt	4
B		M6 x 30mm Bolt	4
C		M6 x 25mm Bolt	4
D		M6 x 15mm Bolt	8
E		M4 x 30mm Screw	4
F		M4 x 14mm Screw	4
G		M4 x 14mm Round Head Screw	12
H		Connecting Screw	10
I		Cam Screw	4
J		Cam Lock	4
K		Dowel	12
L		Locking Caster	2
M		Caster	2

ASSEMBLY

Read carefully and understand assembly before beginning.

STEP 1

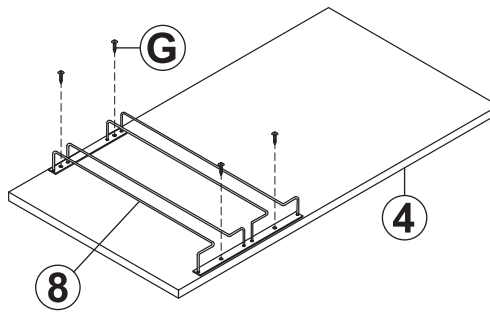
3: 1
7: 2
G: 8



Secure 2x Bottle Rack (7) to Top Frame (3) using eight M4 x 14mm Round Head Screws (G).

STEP 2

4: 1
8: 1
G: 4

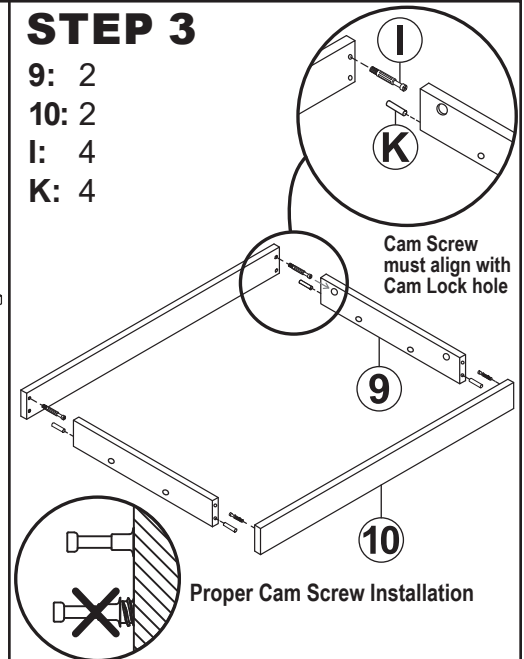


Secure Stemware Holder (8) to Middle Shelf (4) with four M4 x 14mm Round Head Screws (G).

NOTE: Middle Shelf (4) does not have pre-drilled holes; this allows the screws to grip the wood for a more secure assembly.

STEP 3

9: 2
10: 2
I: 4
K: 4



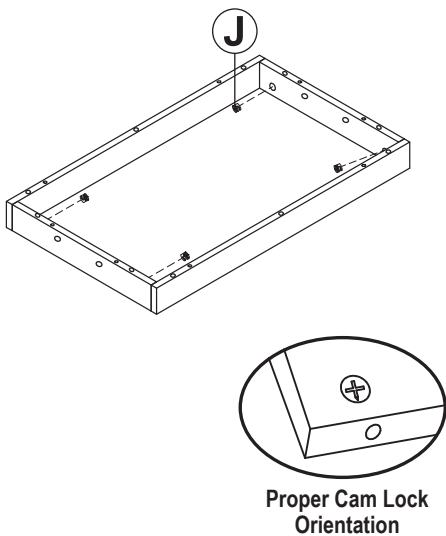
Insert 2x Dowel (K) into the bottom holes of each Top Shelf End Panel (9).

Carefully screw the threaded end of 2x Cam Screw (I) into each Top Shelf Side Panel (10). **Do not over-tighten.**

Align and connect the side and end panels.

STEP 4

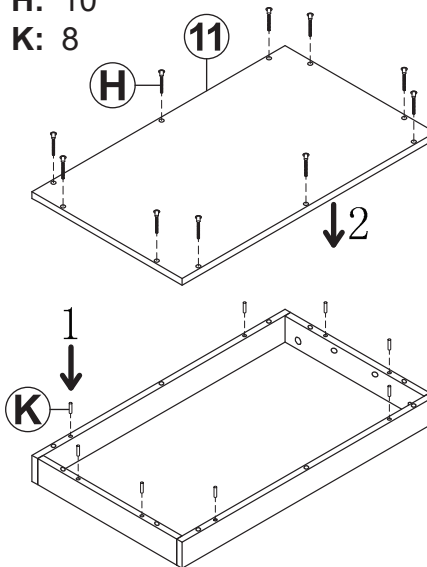
J: 4



Align Cam Lock (J) with each cam screw; make sure the "C" shaped side of the cam lock fits over the head of the cam screw. Use a screwdriver to turn the cam lock until it locks onto the screw head.

STEP 5

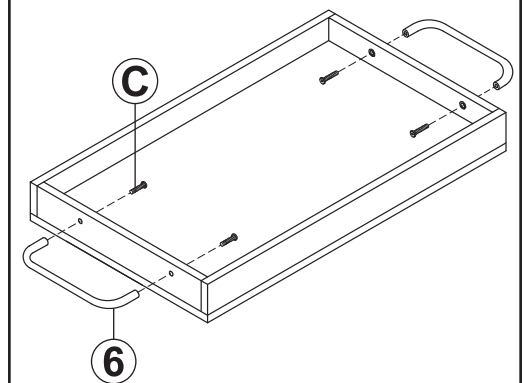
11: 1
H: 10
K: 8



Insert 8x Dowels (K) into the Top Shelf End Panels (9) and Top Shelf Side Panels (10). Align Top Shelf (11) with the dowels, then secure using 10x Connecting Screw (H). **Do not over-tighten.**

STEP 6

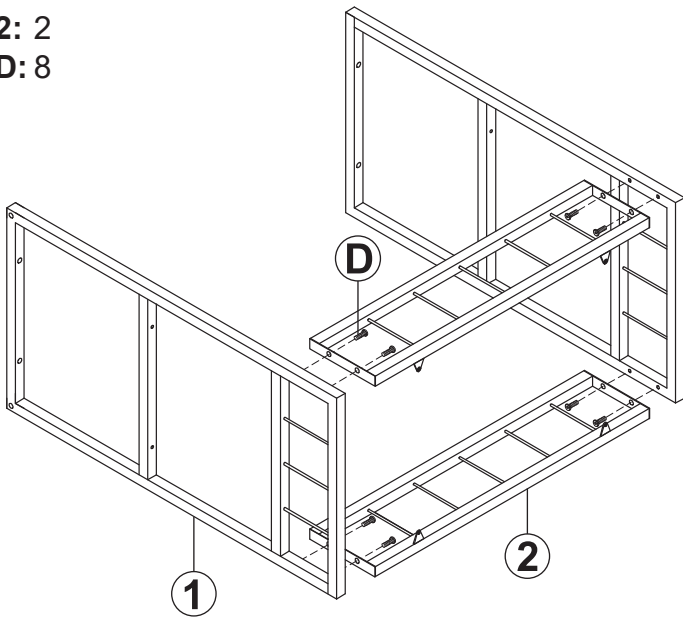
6: 2
C: 4



Securely fasten 2x Handles (6) to the end panels of the top shelf using four M6 x 25mm Bolts (C).

STEP 7

1: 2
2: 2
D: 8

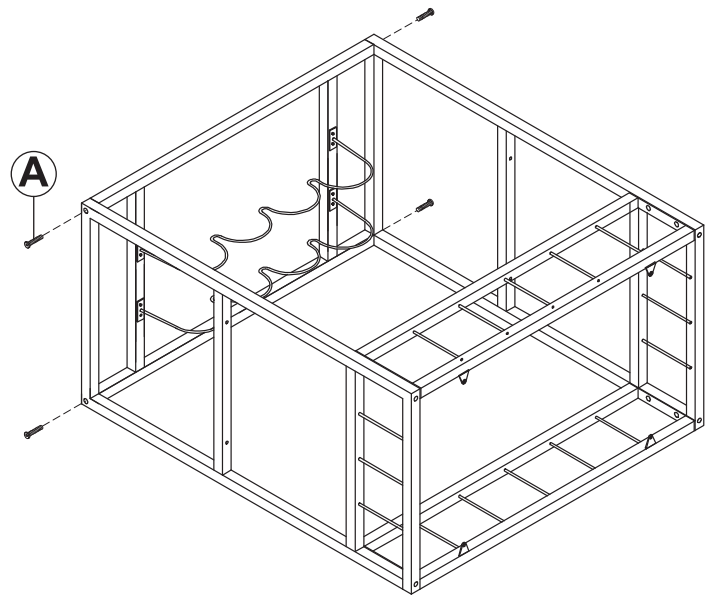


Identify the metal tabs on Bottom Rails (2). Ensure the rails are installed with the tabs on the bottom and facing the inside of the cart.

Fasten 2x Bottom Rail (2) to the bottom of Cart End Panels (1) by hand-tightening eight M6x15mm Bolts (D).

STEP 8

A: 4

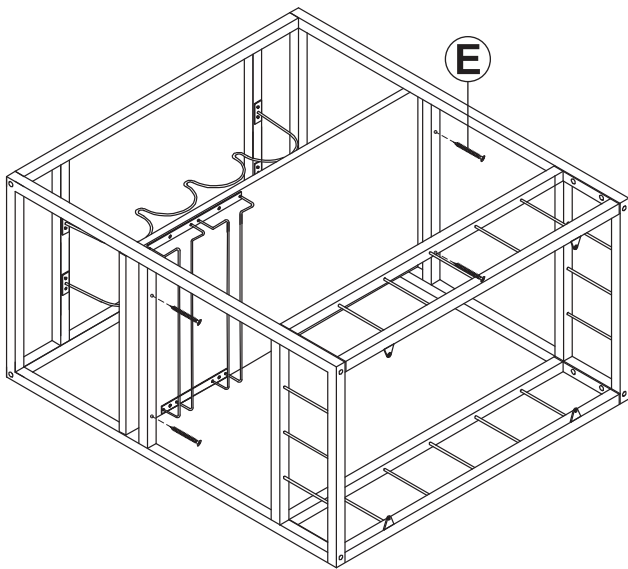


Locate the assembled components from Step 1.

Fasten the assembled components to the top of the cart end panels using four M6 x 40mm Bolts (A).

STEP 9

E: 4



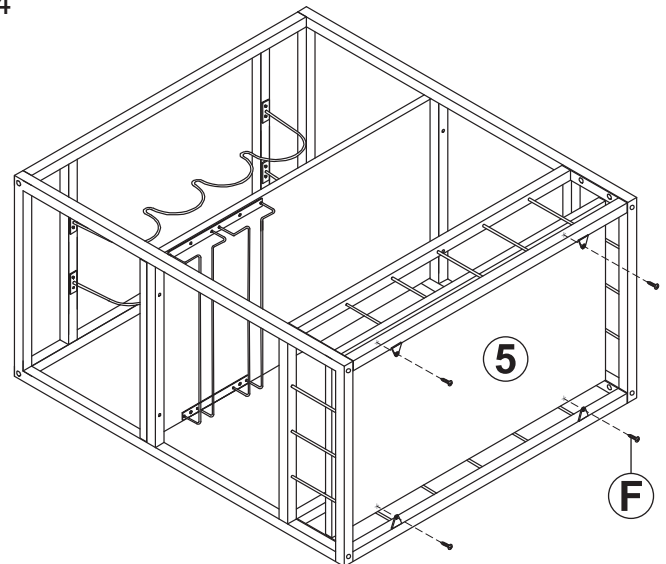
Locate the assembled components from Step 2.

Ensuring the stemware holder is on the bottom, fasten the assembled components from Step 2 to the middle of the cart end panels using four M6 x 30mm Bolts (E).

STEP 10

5: 1
F: 4

NOTE: Bottom Shelf (5) does not have pre-drilled holes; this allows the screws to grip the wood for a more secure assembly.

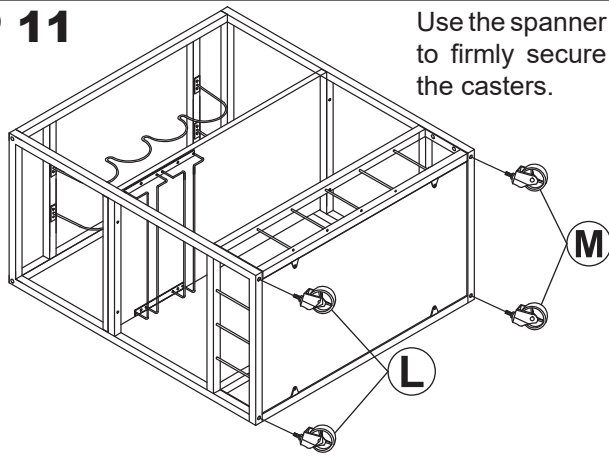


Slightly angle Bottom Shelf (5) between the middle shelf and bottom rails and place it on top of the metal tabs inside the bottom rails.

From the bottom, through the holes in the metal tabs, secure Bottom Shelf (5) using four M4 x 14mm Screws (F).

STEP 11

L: 2
M: 2



Screw 2x Locking Caster (L) into the left-side cart end panel.
Screw 2x Caster (M) into the right-side cart end panel.

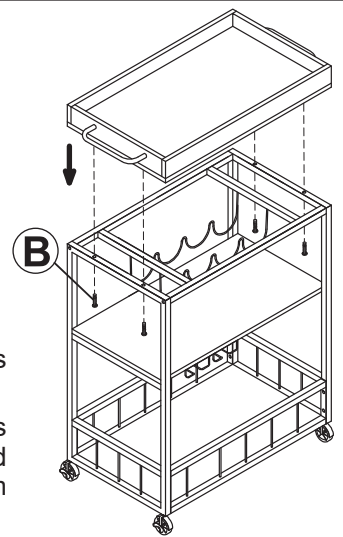
STEP 12

B: 4

Flip the cart upright.

Locate the assembled components from Step 6.

Place the assembled components from Step 6 on the top frame and secure using four M6 x 30mm Bolts (B).



Care & Maintenance



Use a feather duster or a dry, soft cloth clean this product.



Remove stains with a slightly damp cloth and mild soap. Dry with a soft cloth to prevent water damage.



Do not clean with harsh cleansers or furniture polish.



Do not put hot items or any liquids directly on the furniture surface.

! SAFETY STATEMENTS & WARNINGS !

- Residential use only. Not for commercial or industrial use.
- For indoor use only.
- Ensure fittings are tight before use. Periodically check fitting to ensure they are tight.
- Only use this unit on a flat, level surface.
- Do not climb on or sit the unit.
- Supervise children; never allow children to climb or sit on this unit as it may tip over and cause serious injury.
- Do not place liquids or hot items on the shelves.
- Never use chemical cleaning products or polishes as they may damage the finish.
- Do not overload the shelves as doing so may cause the shelves to sag.
- Do not place the unit in direct sunlight.
- Do not place near heating or cooling vents.
- Do not write on furniture without a padded barrier to protect the surface.

Any modification to the product or failure to follow recommended care will void the product warranty.

! WARNING!

Manufacturer and seller expressly disclaim any and all liability from personal injury, property damage or loss, whether direct or indirect, or incidental, resulting from the incorrect attachment, improper use, inadequate maintenance, or neglect of this product.