


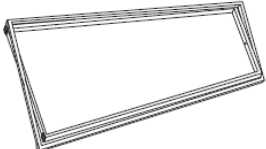
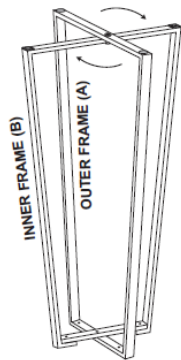


ASSEMBLY INSTRUCTIONS

ZIA COUNTER STOOL

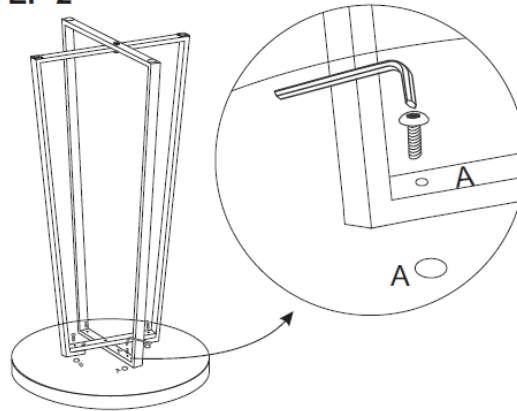
 <p>2 Pcs SMALL SCREWS 2 Pcs LARGE SCREWS</p>	 <p>1 Pc ALLEN KEY</p>	 <p>1 Pc WOODEN TOP</p>	 <p>1 PC METAL STAND</p>
--	---	--	--

STEP 1



Unfold the metal stand as shown.

STEP 2



Place stand on wooden top considering marking (A,B) as shown. Firstly partial tighten outer frame (A) with small Allen screw approx 50% and secondly inner frame(B) with large Allen screw with the help of Allen key. After fixing both frames ensure both screws are fully tighten.

READY TO USE

