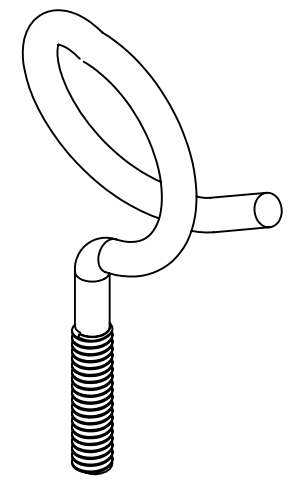
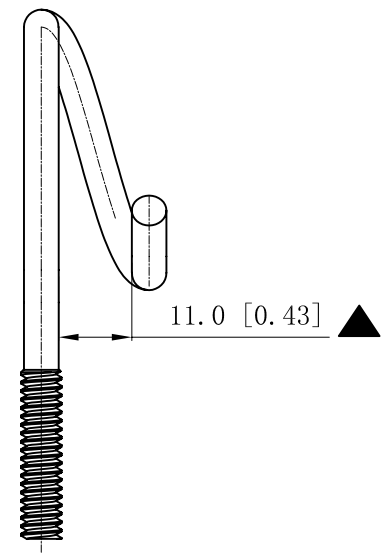
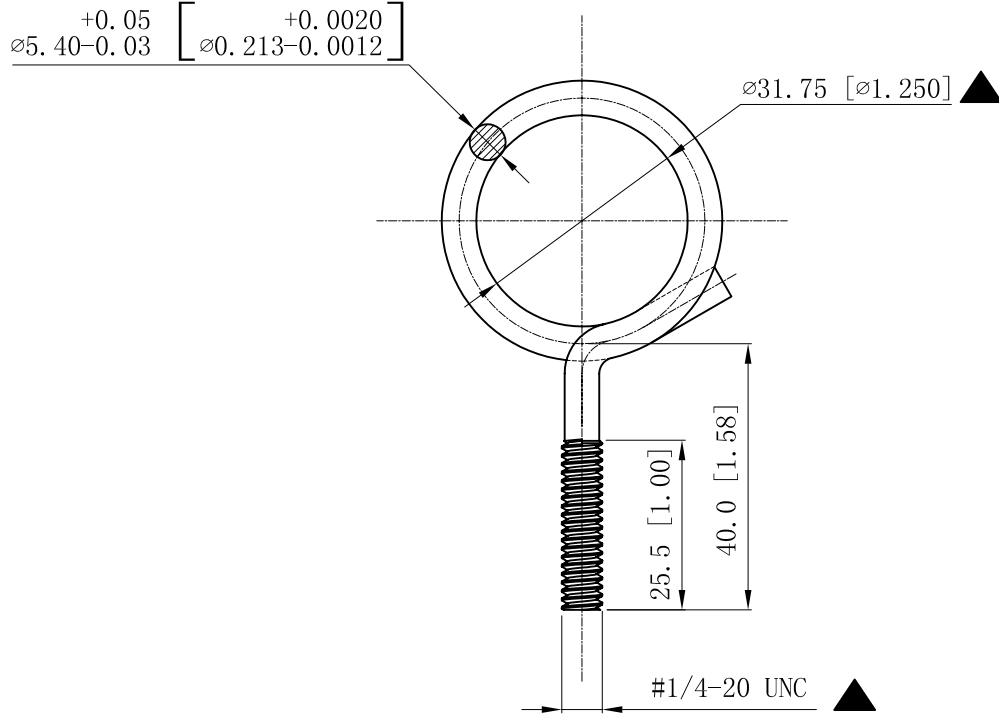


|   |        |
|---|--------|
| SIDES   | BOTTOM |
|   |        |
|   |        |
| Material: Steel- $\varnothing$ 0.213" C1008-C1018 Zinc Plated |        |



This data sheet is for reference only .GARVIN INDUSTRIES reserves the right to make changes to the design without prior notice.

|                       |
|-----------------------|
| DESCRIPTION           |
|                       |
| TRADE REFERENCE TERMS |
|                       |

|                  |
|------------------|
| STANDARD PACKING |
| 100 PCS          |

|                            |         |     |
|----------------------------|---------|-----|
| TITLE                      |         |     |
| GARVIN INDUSTRIES          |         |     |
| MACHINE-SCREW BRIDLE RINGS |         |     |
| SIZE                       | DWG NO. | REV |
| A4                         | BR-125  |     |
| DATA SHEET                 |         |     |