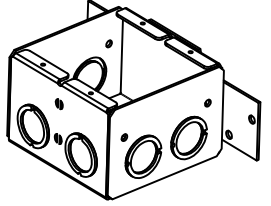
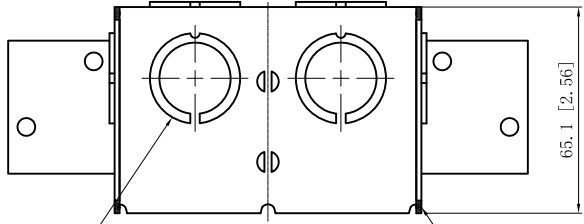


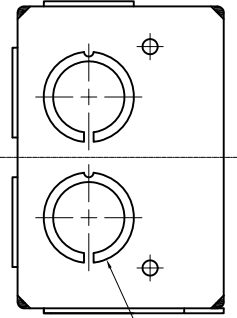
SIDES	BOTTOM
6 1/2"-3/4" MOON KNOCKOUTS	4 KNOCKOUTS
	4 1/2"-3/4" MOON KNOCKOUTS
Material: Steel-0.0625"-G60 Galvanized	



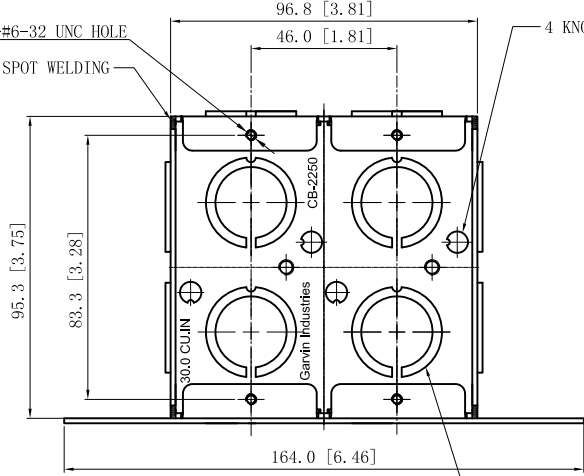
2 1/2-3/4 KNOCKOUTS $\phi=22.5[\phi=0.89]$
 $\phi=28.5[\phi=1.12]$ MIRROR

8 PLACES SPOT WELDING

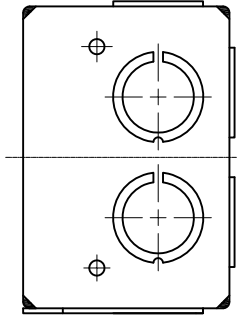
4-#6-32 UNC HOLE
 8 PLACES SPOT WELDING
 96.8 [3.81]
 46.0 [1.81]
 4 KNOCKOUTS $\phi=6.75[\phi=0.27]$



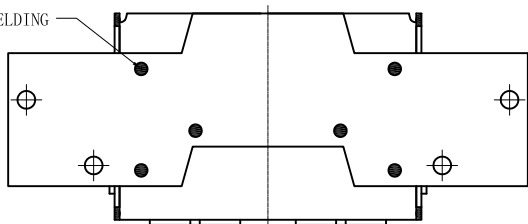
4 1/2"-3/4" KNOCKOUTS $\phi=22.50[\phi=0.886]$
 $\phi=28.50[\phi=1.122]$ MIRROR



4 1/2"-3/4" KNOCKOUTS $\phi=22.50[\phi=0.886]$
 $\phi=28.50[\phi=1.122]$



6 PLACES SPOT WELDING



This data sheet is for reference only .GARVIN INDUSTRIES reserves the right to make changes to the design without prior notice.

DESCRIPTION
TRADE REFERENCE TERMS

STANDARD PACKING

GARVIN INDUSTRIES		
TITLE SOLID MASONRY BOX 2-1/2" DEEP		
SIZE A4	DWG NO. CB-2250	REV
DATA SHEET		
www.garvinindustries.com		