

## Eyesaver® AC Powered Sensor Eyewash

### MODELS:

- SEF-18207: Eyesaver® AC Powered Sensor Eyewash
- SEF-18207-8: Eyesaver® AC Powered Sensor Eyewash w/ 8 in. Spout

### EYEWASH FEATURES:

- Independent water channel for eyewash
- Brass Spindle Valve
- Lift handle activation
- (2) Dedicated Optimus® aerated eyewash sprays with flip top dust caps
- 2.0 GPM (7.6 L/min) @ 30 PSI flow rate
- 1/2" NPT male inlet

### FAUCET FEATURES:

- Low-lead brass construction
- Sensor eye integrated into front of faucet body for easy activation
- AC powered Sensor
- Solenoid life exceeds 2.7 million cycles
- 1.2 GPM (4.5 L/min) flow rate
- Inlet supply 3/8" compression with male threads
- Manual override configuration allows for a mechanical method to activate the faucet in the event of power loss

### FAUCET OPTION:

- 8: 8" Gooseneck spout for faucet
- TMV: Thermostatic mixing valve for tepid water during faucet usage

### EYEWASH ADD-ONS:

- A-SEF-NA: Non-aerated eyewash outlets
- SEF-TW: Thermostatic mixing valve for tepid water during eyewash usage

### FAUCET ADD-ONS:

- A-SEF-BOLF: 0.5 GPM (1.89 L/min) faucet flow control and 1.2 GPM (4.5 L/min) laminar faucet flow control kit
- A-SEF-ST: Serrated tip for faucet with vacuum breaker (Not NSF 61/372 compliant)
- A-TMV: Thermostatic mixing valve for tepid water during faucet usage

### STANDARDS:

- ANSI/ISEA Z358.1 certified
- ASME A112.18.1/CSA B125.1 certified
- IGC 272 certified
- NSF/ANSI 61 certified
- NSF/ANSI 372 certified

### WARRANTY:

Visit [www.speakman.com](http://www.speakman.com) for full product warranty information

- 3 Year Limited Warranty (commercial)



Information continues on next page

**ENSURE YOU ARE ANSI/ISEA Z358.1  
Tepid Water Compliant**  
by incorporating Speakman's 9.7 GPM  
Thermostatic Mixing Valve.



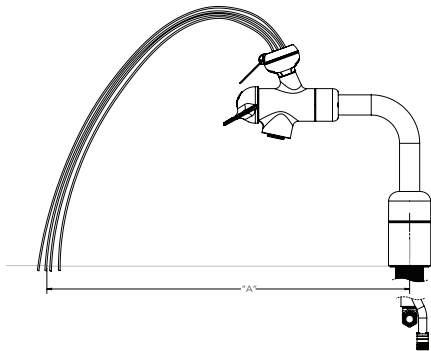
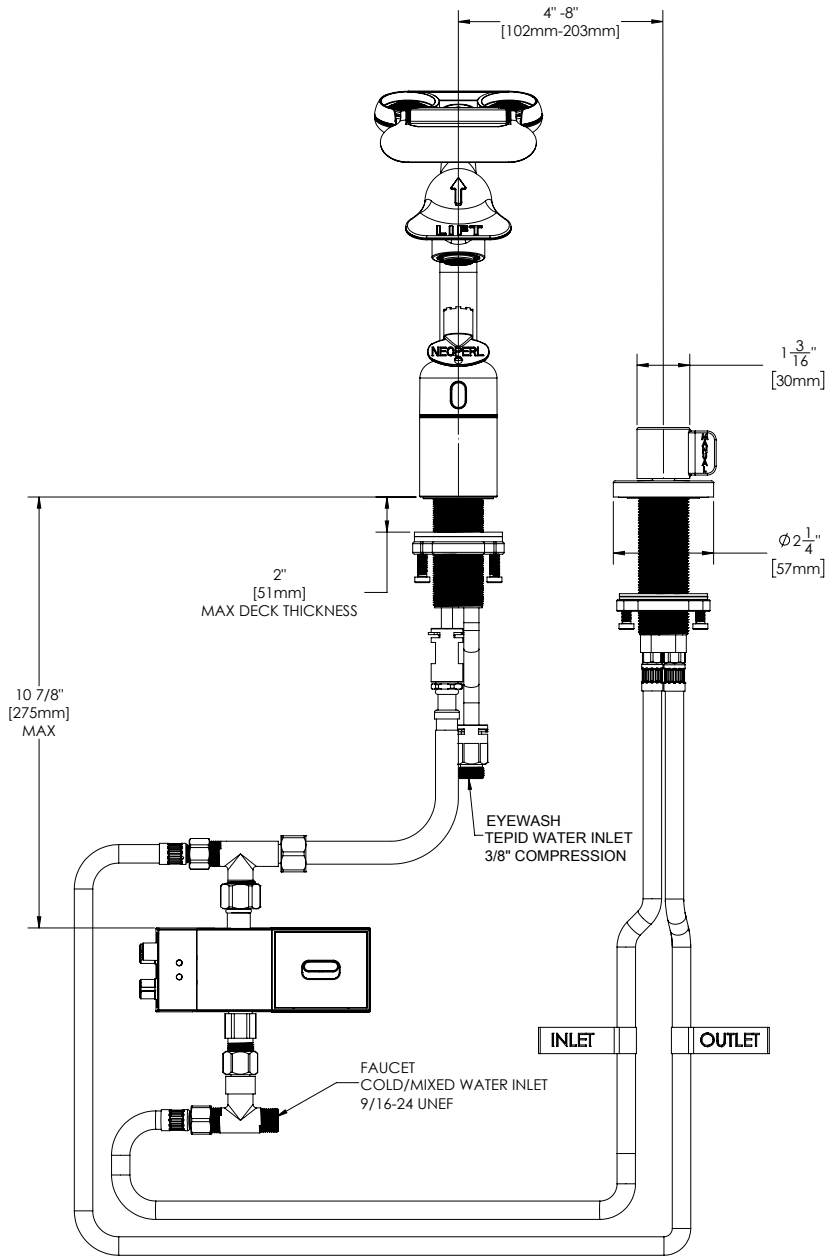
- **STW-370:** Thermostatic Mixing Valve (valve only)
- **SEF-TW:** Thermostatic Mixing Valve with necessary connections for SEF products

All dimensions are in inches (millimeters) unless otherwise specified and are subject to change without notice.

Architect/Engineer Approval Space:

**P:** 800-537-2107  
**F:** 800-977-2747  
**W:** WWW.SPEAKMAN.COM  
**R:** 06-APRIL 2024

## Eyesaver® AC Powered Sensor Eyewash



SEF-1800-SL Spray Plume Length and Flow

Flowing Pressure	30 psi 2.07 Bar	40 psi 2.76 Bar	50 psi 3.45 Bar	60 psi 4.14 Bar	70 psi 4.83 Bar	80 psi 5.52 Bar
Flow Rate	gpm	gpm	gpm	gpm	gpm	gpm
Eyewash Distance Plume "A"	L/min	L/min	L/min	L/min	L/min	L/min
	"	"	"	"	"	"
	cm	cm	cm	cm	cm	cm

SEF-1800-SL-8 Spray Plume Length and Flow

Flowing Pressure	30 psi 2.07 Bar	40 psi 2.76 Bar	50 psi 3.45 Bar	60 psi 4.14 Bar	70 psi 4.83 Bar	80 psi 5.52 Bar
Flow Rate	gpm	gpm	gpm	gpm	gpm	gpm
Eyewash Distance Plume "A"	L/min	L/min	L/min	L/min	L/min	L/min
	"	"	"	"	"	"
	cm	cm	cm	cm	cm	cm

All dimensions are in inches (millimeters) unless otherwise specified and are subject to change without notice.

Architect/Engineer Approval Space:

P: 800-537-2107  
 F: 800-977-2747  
 W: WWW.SPEAKMAN.COM  
 R: 06-APRIL 2024