

ADAPTIVE 192W

Dimmable 24VDC Power Supply

The Adaptive LED Driver series are class 2 rated and designed to operate with any standard ELV, MLV, & Incandescent TRIAC (Leading edge) dimmer switch and is forward phase and reverse phase compatible. Encased in a low profile aluminum enclosure that includes knock-outs for easy and quick installation makes it the perfect choice for under cabinet lights, tape light and various LED fixture installations.

- 24VDC constant voltage hardwire driver
- Dimmable with standard TRIAC, MLV, and ELV dimmers
- Forward phase and reverse phase compatible
- Short circuit, over-load, and over-temperature protections
- Slim, compact aluminum housing design (only 1.8" tall)
- Integrated wiring compartment
- PWM Output with 10-100% load operation
- Free air convection cooling
- Class 2, Class P, Type HL, FCC compliant, cULus Listed, wet location rated



PROJECT: _____

TYPE: _____

LOCATION: _____

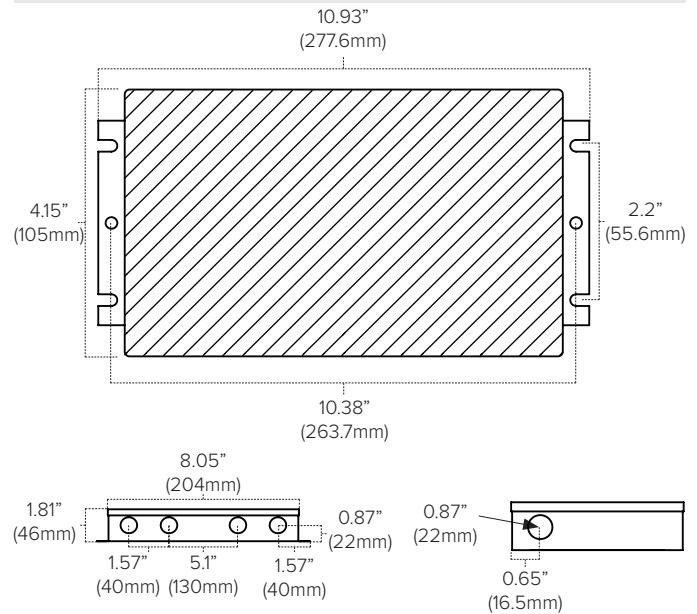
CATALOG NUMBER: _____



ADAPTIVE - 192W QUICK SPECS

SERIES	ADPT-DRJ 192W
INPUT VOLTAGE	100-277VAC
INPUT CURRENT	2.3A@100V
OUTPUT VOLTAGE	24VDC
RATED CURRENT	2 x 4A
POWER FACTOR	0.99@120V / 0.94@277V
MIN LOAD	19.2W (2 x 9.6W)
MAX LOAD	192W (2 x 96W)
EFFICIENCY	> 88%
DIMENSIONS	10.93" (277.6mm) L x 4.15" (105mm) W x 1.8" 41mm H
DIMMING	Phase Dimming / MLV / ELV / TRIAC
STORAGE TEMP	-40°F to 176°F (-40°C to 80°C)
AMBIENT TEMP	-40°F to 140°F (-40°C to 60°C)
OPERATING TEMP	-40°F to 140°F (-40°C to 60°C)
RATING	cULus Listed for Wet locations

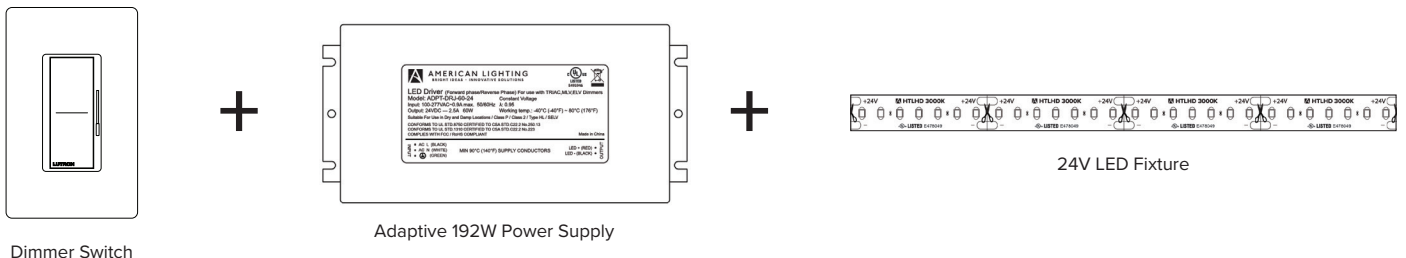
ADAPTIVE - 192W QUICK DIMENSIONS



ADAPTIVE - 192W ORDERING INFORMATION

ITEM NUMBER	DESCRIPTION
ADPT-DRJ-192-24	Adaptive Pro 24V - 192W Power Supply

ADAPTIVE - 192W QUICK SET UP



ADAPTIVE - 192W TRIAC/ELV/MLV DIMMING WIRING DIAGRAM

